

A & M Electric Tools

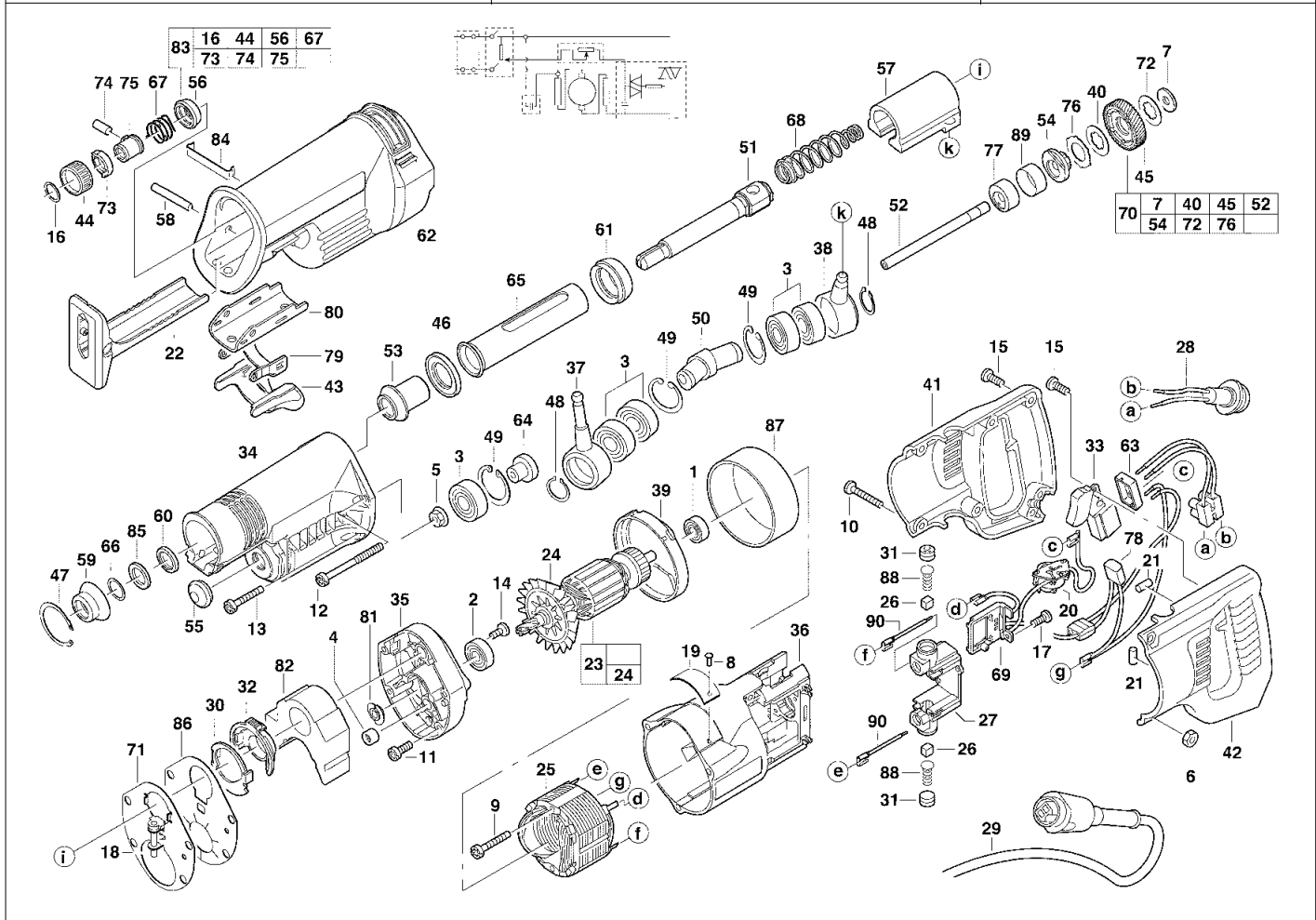
Sabre Saws

Milwaukee

SSPE 1000 QXB

Exp.view No. Version Date Page
4926 3857 19 0003 09.03.06 1/3

Ind	Product No.	Type	Voltage	Country	Ind	Product No.	Type	Voltage	Country
a	4000385718	SSPE1000QXB	220-240V	IN2					
b	4000385718	SSPE1000QXB	220-240V	IN2					
c	4000385718	SSPE1000QXB	220-240V	IN2					
d	4000385718	SSPE1000QXB	220-240V	IN2					



Pos	Index	Quanti	Article No.	Designation	Pos	Index	Quanti	Article No.	Designation
0001	abcd.....	1	02040845	BALL BEARING	0023	abcd.....	1	16341850	ARMATURE
0002	abcd.....	1	02040915	BALL BEARING	0024	abcd.....	1	22840531	FAN
0003	abcd.....	5	02041510	BALL BEARING	0025	abcd.....	1	18320530	ELECTRIC FIELD
0004	abcd.....	1	02502150	NEEDLE BEARING	0026	abcd.....	2	22160375	CARBON BRUSH
0005	abcd.....	1	06553790	NUT	0027	abcd.....	1	22221380	BRUSH HOLDER
0006	abcd.....	2	06550835	NUT	0028	abcd.....	1	22560692	HOUSING
0007	abcd.....	1	45881555	WASHER	0029 a.....		1	4931624171	CONNECTION CABLE
0008	abcd.....	2	06721720	RIVET	0029 b.....		1	4931624342	CONNECTION CABLE
0009	abcd.....	2	06827410	SCREW	0029 c.....		1	4931624184	CONNECTION CABLE
0010	abcd.....	2	06822390	SCREW	0029 d.....		1	4931624181	CONNECTION CABLE
0011	abcd.....	1	05888308	SCREW	0030	abcd.....	1	31110130	PLATE
0012	abcd.....	2	05880301	SCREW	0031	abcd.....	2	23440190	BRUSH COVER
0013	abcd.....	2	06825363	SCREW	0032	abcd.....	1	31150581	RING
0014	abcd.....	2	06827252	SCREW	0033 a.cd.....		1	23661979	SWITCH
0015	abcd.....	6	06827270	SCREW	0033 b.....		1	4931393091	MODIFICATION SET
0016	abcd.....	1	34603680	RING	0034	abcd.....	1	28142500	GEAR CASE
0017	abcd.....	2	06827240	SCREW	0035	abcd.....	1	28282500	DIAPHRAGM
0018	abcd.....	1	43360125	COVER	0036	abcd.....	1	31500020	HOUSING MOTOR SIDE
0019	abcd.....	1	12992075	NAME PLATE	0037	abcd.....	1	30720085	WOBBLE DRIVE
0020	abcd.....	1	14203030	REMOTE TSC CONTRO	0038	abcd.....	1	14670125	WOBBLE PLATE
0021	abcd.....	3	14461001	HOLDING-DOWN DEVIC	0039	abcd.....	1	31050055	AIR DEFLECTOR RING
0022	abcd.....	1	45160640	STOP	0040	abcd.....	1	43060685	DISC

Repairs/modification and testing of electric power tools are to be carried out by specialists. The safety regulations according to DIN/VDE/CEE/AFNOR and other regulations valid in the different countries are to be observed.

A & M Electric Tools

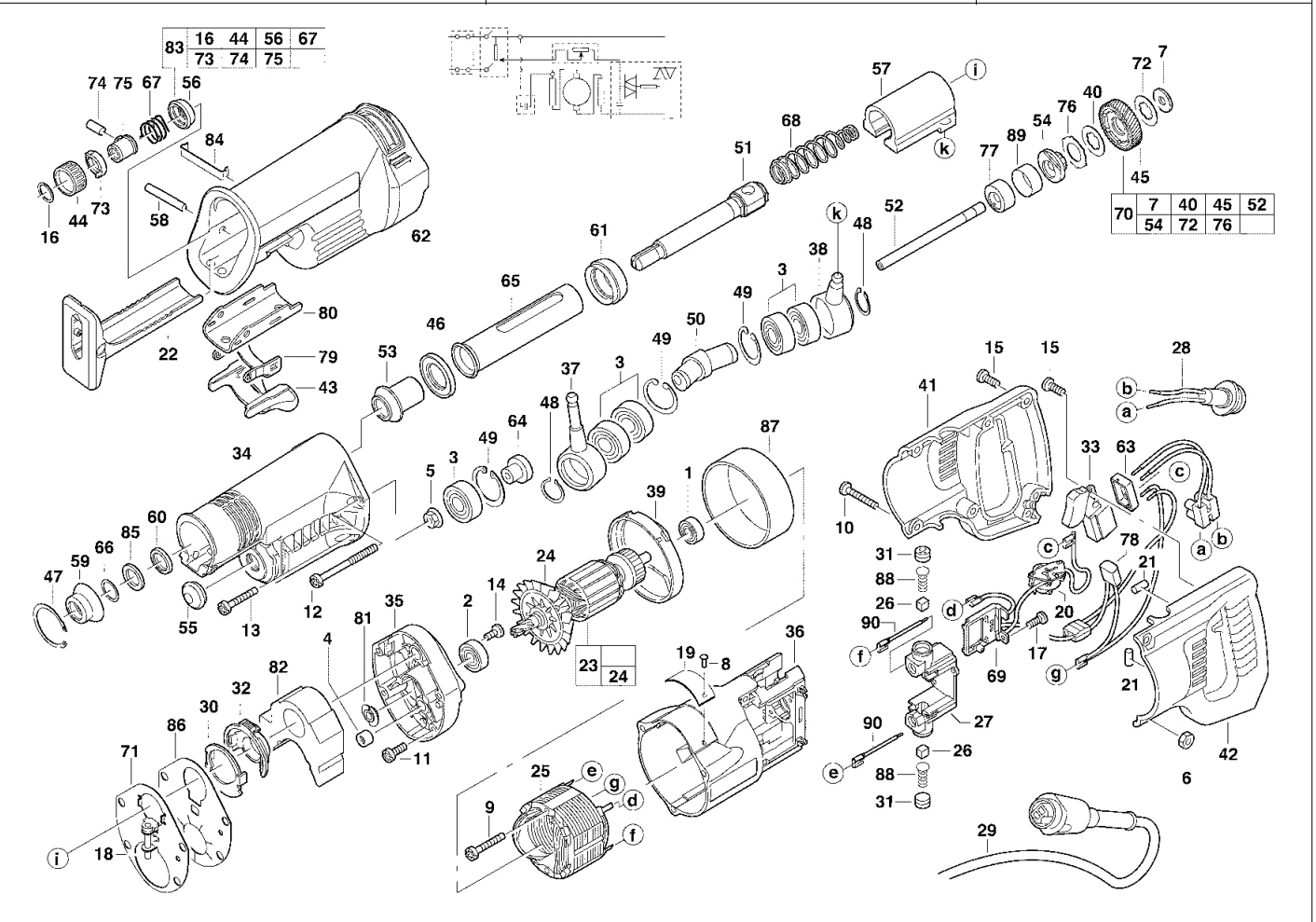
Ind	Product No.	Type	Voltage	Country
a	4000385718	SSPE1000QXB	220-240V	IN2
b	4000385718	SSPE1000QXB	220-240V	IN2
c	4000385718	SSPE1000QXB	220-240V	IN2
d	4000385718	SSPE1000QXB	220-240V	IN2

Sabre Saws

Milwaukee

SSPE 1000 QXB

Exp.view No. Version Date Page
4926 3857 19 0003 09.03.06 2/3



Pos	Index	Quanti	Article No.	Designation	Pos	Index	Quanti	Article No.	Designation
0041	abcd.....	1	31441661	HANDLE LEFT	0062	abcd.....	1	45120550	GEAR BOX INSULATION
0042	a.cd.....	1	31441666	HANDLE LEFT	0063	abcd.....	1	45120470	GUARD
0042	.b.....	1	4931393091	MODIFICATION SET	0064	abcd.....	1	45361450	SPACER
0043	abcd.....	1	31520021	SHOE REL.LEVER KIT	0065	abcd.....	1	45760500	TUBE
0044	abcd.....	1	42500076	CLAMPING RING	0066	abcd.....	1	45888577	WASHER
0045	abcd.....	1	32402091	GEAR	0067	abcd.....	1	40500161	SPRING
0046	abcd.....	1	45883000	WASHER	0068	abcd.....	1	40500250	SPRING
0047	abcd.....	1	34804600	THRUST COLLAR	0069	abcd.....	1	43720176	HOLDING DEVICE
0048	abcd.....	2	34601315	RING	0070	abcd.....	1	32402104	GEAR
0049	abcd.....	3	34802600	RING	0071	abcd.....	1	43560625	PLATE
0050	abcd.....	1	36920701	SHAFT	0072	abcd.....	1	40508850	PRESSURE SPRING
0051	abcd.....	1	38506162	SPINDLE	0073	abcd.....	1	42500077	CLAMPING RING
0052	abcd.....	1	42120225	REDUCT. GEAR SHAFT	0074	abcd.....	1	44600626	PIN
0053	abcd.....	1	42240625	SPINDLE BEARING	0075	abcd.....	1	45220081	CLAMPING RING
0054	abcd.....	1	43780525	HUB	0076	abcd.....	1	43060676	PLATE
0055	abcd.....	1	42520380	BEARING COVER	0077	abcd.....	1	43780666	ORBIT CAM
0056	abcd.....	1	31150511	CLAMPING RING	0078	abcd.....	1	14200580	CAPACITOR
0057	abcd.....	1	42870125	BALANCE WEIGHT	0079	abcd.....	1	44660386	RELEASE LEVER
0058	abcd.....	1	44601627	PIN	0080	abcd.....	1	44660890	HOLDER
0059	abcd.....	1	44860630	COVER	0081	abcd.....	1	45280550	RING
0060	abcd.....	1	45060475	SEAL RING	0082	abcd.....	1	45060715	SEAL
0061	abcd.....	2	42820075	TUBE	0083	abcd.....	1	14461011	FIXTEC-SET

Repairs/modification and testing of electric power tools are to be carried out by specialists. The safety regulations according to DIN/VDE/CEE/AFNOR and other regulations valid in the different countries are to be observed.

A & M Electric Tools

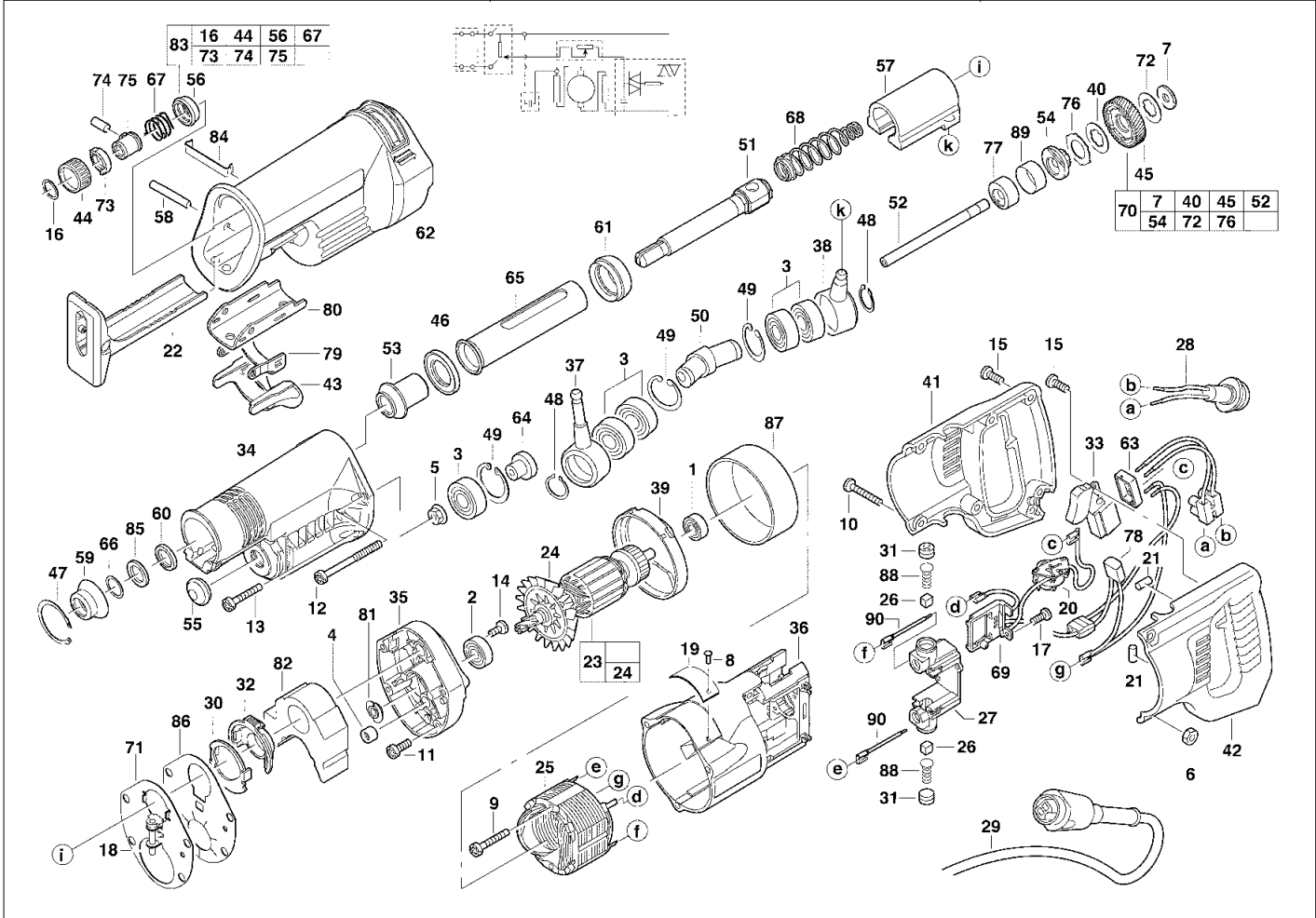
Sabre Saws

Ind	Product No.	Type	Voltage	Country
a	4000385718	SSPE1000QXB	220-240V	IN2
b	4000385718	SSPE1000QXB	220-240V	IN2
c	4000385718	SSPE1000QXB	220-240V	IN2
d	4000385718	SSPE1000QXB	220-240V	IN2

Ind	Product No.	Type	Voltage	Country

Milwaukee
SSPE 1000 QXB

Exp.view No. Version Date Page
4926 3857 19 0003 09.03.06 3/3



Pos	Index	Quanti	Article No.	Designation
0084	abcd.....	1	42705225	CLIP
0085	abcd.....	1	45060501	FELT PACKING
0086	abcd.....	1	43440625	GASKET
0087	abcd.....	1	23160457	INSERT
0088	abcd.....	2	23520160	PRESSURE SPRING
0089	abcd.....	1	45220667	BEARING BUSH
0090	abcd.....	2	23943625	WIRE

Pos	Index	Quanti	Article No.	Designation

Repairs/modification and testing of electric power tools are to be carried out by specialists. The safety regulations according to DIN/VDE/CEE/AFNOR and other regulations valid in the different countries are to be observed.