

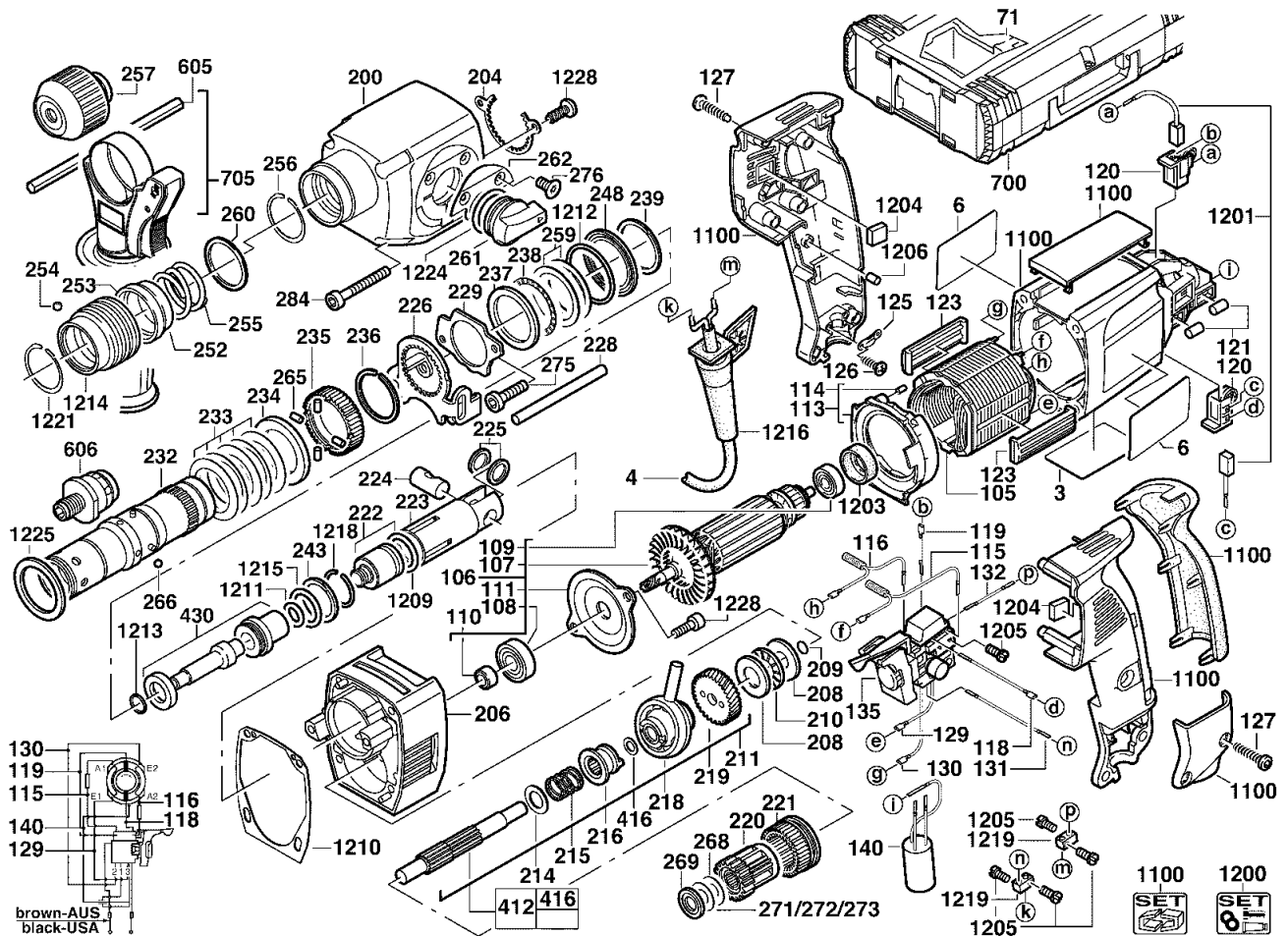
A & M Electric Tools

Rotary Hammers

Ind	Product No.	Type	Voltage	Country
a	4000384950	PPH26XE	220-240V	IN2
b	4000384955	PPH26XE	110-120V	GB1

Ind	Product No.	Type	Voltage	Country
-----	-------------	------	---------	---------

Milwaukee		Exp.view No.	Version	Date	Page
PPH 26 XE		4926 3849 51	0006	20.02.07	1/3



Pos	Index	Quanti	Article No.	Designation
0003	a.....	1	4931384953	RATING PLATE
0003	.b.....	1	4931384956	RATING PLATE
0004	a.....	1	4931623392	CONNECTION CABLE
0004	.b.....	1	4931624010	CONNECTION CABLE
0006	ab.....	2	4931378806	TYPE PLATE
0071	ab.....	1	4931379664	INSERT
0105	a.....	1	4931342802	ELECTRIC FIELD
0105	.b.....	1	4931343218	ELECTRIC FIELD
0106	a.....	1	4931344061	ARMATURE
0106	.b.....	1	4931343219	ARMATURE
0107	ab.....	1	4931342793	FAN
0108	ab.....	1	4931623188	BALL BEARING
0109	ab.....	1	4931624405	BALL BEARING
0110	ab.....	1	4931382148	SEALING SLEEVE
0111	ab.....	1	4931267585	BEARING COVER
0113	ab.....	1	4931342794	AIR DEFLECTOR RING
0114	ab.....	4	4931332524	HOLDING-DOWN DEVIC
0115	a.....	1	4931623121	CHOKING COIL
0115	.b.....	1	4931623359	WIRE
0116	a.....	1	4931623122	CHOKING COIL
0116	.b.....	1	4931623360	WIRE
0118	a.....	1	4931623125	WIRE

Pos	Index	Quanti	Article No.	Designation
0118	.b.....	1	4931623360	WIRE
0119	a.....	1	4931623126	WIRE
0119	.b.....	1	4931623361	WIRE
0120	ab.....	2	4931382268	BRUSH HOLDER
0121	ab.....	4	4931623123	ROLL
0123	ab.....	2	4931342808	CENTERING LEDGE
0125	ab.....	2	4931256500	CABLE COLLAR
0126	ab.....	2	4931624538	SCREW
0127	ab.....	6	4931618253	SCREW
0129	a.....	1	4931623127	WIRE
0129	.b.....	1	4931623362	WIRE
0130	a.....	1	4931623196	WIRE
0130	.b.....	1	4931623363	WIRE
0131	a.....	1	4931622948	WIRE
0131	.b.....	1	4931623364	WIRE
0132	a.....	1	4931623136	WIRE
0132	.b.....	1	4931623365	WIRE
0135	a.....	1	4931382393	SWITCH BOARD
0135	.b.....	1	4931359581	SWITCH
0140	ab.....	1	4931276760	CAPACITOR
0200	ab.....	1	4931382394	GEAR BOX
0204	ab.....	1	4931331685	WASHER

Repairs/modification and testing of electric power tools are to be carried out by specialists. The safety regulations according to DIN/VDE/CEE/AFNOR and other regulations valid in the different countries are to be observed.

