

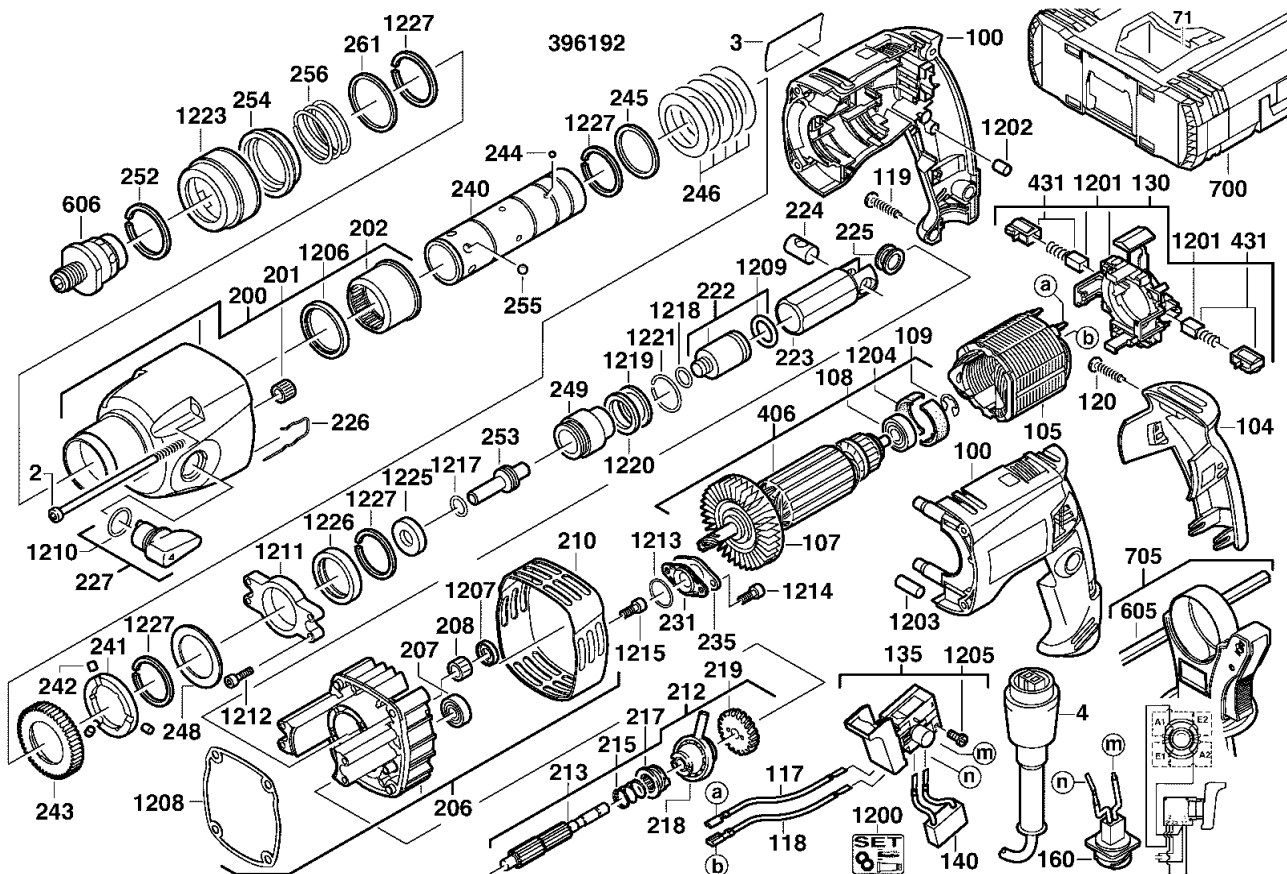
A & M Electric Tools

Rotary Hammers

Ind	Product No.	Type	Voltage	Country
a	4000396191	PFH25QEX	220-240V	IN2
b	4000396196	PFH25QEX	110V	GB1

Ind	Product No.	Type	Voltage	Country

Milwaukee			
PFH 25 QEX			
Exp.view No.	Version	Date	Page
4926 3961 92	0002	13.02.07	1/3



Pos	Index	Quanti	Article No.	Designation
0002	ab.....	4	4931331734	SCREW
0003	a.....	1	4931396194	RATING PLATE
0003	.b.....	1	4931396198	RATING PLATE
0004	a.....	1	4931624171	CONNECTION CABLE
0004	.b.....	1	4931624186	CONNECTION CABLE
0071	ab.....	1	4931380081	INSERT
0100	ab.....	1	4931374910	BODY
0104	ab.....	1	4931374488	HANDLE COVER
0105	a.....	1	4931374623	ELECTRIC FIELD
0105	.b.....	1	4931364086	ELECTRIC FIELD
0107	ab.....	1	4931330633	FAN
0108	ab.....	1	4931624169	BALL BEARING
0109	ab.....	1	4931621834	WASHER
0117	a.....	1	4931253700	WIRE
0117	.b.....	1	4931623372	WIRE
0118	a.....	1	4931253700	WIRE
0118	.b.....	1	4931623372	WIRE
0119	ab.....	5	4931618253	SCREW
0120	ab.....	1	4931624517	SCREW
0130	a.....	1	4931374498	SET COLLAR
0130	.b.....	1	4931374499	SET COLLAR
0135	a.....	1	4931382238	SWITCH BOARD

Pos	Index	Quanti	Article No.	Designation
0135	.b.....	1	4931374497	SWITCH BOARD
0140	ab.....	1	4931311062	CAPACITOR
0160	a.....	1	4931364437	INSERT
0160	.b.....	1	4931364436	PLUG
0200	ab.....	1	4931382316	GEAR BOX
0201	ab.....	1	4931933756	NEEDLE BEARING
0202	ab.....	1	4931365065	NEEDLE BUSH
0206	ab.....	1	4931382969	BEARING END PLATE
0207	ab.....	1	4931623951	BALL BEARING
0208	ab.....	1	4931219424	NEEDLE BEARING
0210	ab.....	1	4931382970	INSUL.FOR END PLATE
0212	ab.....	1	4931365015	REDUCTION GEAR
0213	ab.....	1	4931365010	REDUCT. GEAR SHAFT
0215	ab.....	1	4931365058	SPRING
0217	ab.....	1	4931365012	COUPLING SLEEVE
0218	ab.....	1	4931365013	WOBBLE DRIVE
0219	ab.....	1	4931365014	REDUCTION GEAR
0222	ab.....	1	4931365028	PERCUSSION BODY
0223	ab.....	1	4931365029	CYLINDER
0224	ab.....	1	4931365056	CYLINDRICAL BOLT
0225	ab.....	2	4931365112	DISC
0226	ab.....	1	4931365047	LOCKING WASHER

Repairs/modification and testing of electric power tools are to be carried out by specialists. The safety regulations according to DIN/VDE/CEE/AFNOR and other regulations valid in the different countries are to be observed.

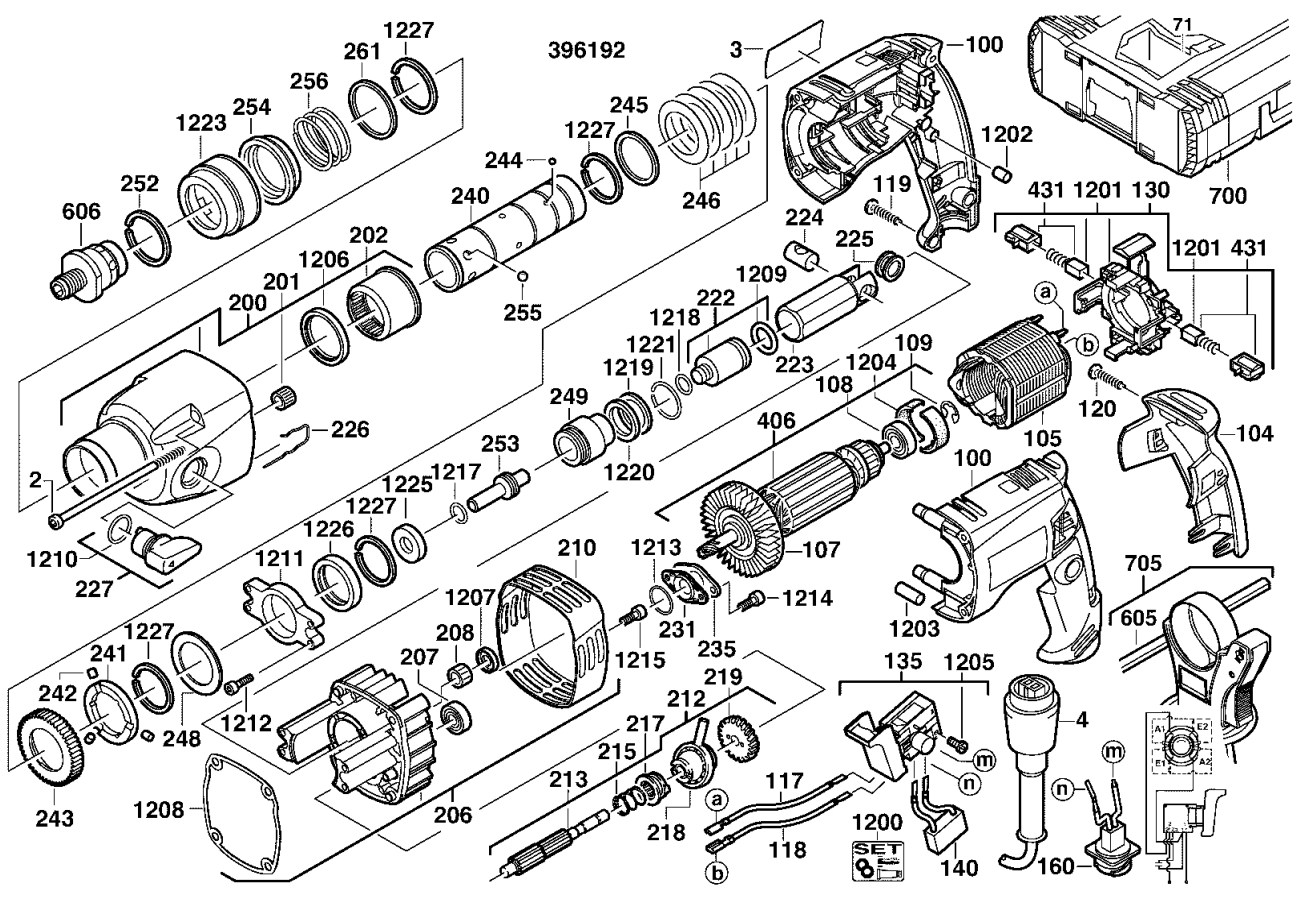
A & M Electric Tools

Rotary Hammers

Ind	Product No.	Type	Voltage	Country
a	4000396191	PFH25QEX	220-240V	IN2
b	4000396196	PFH25QEX	110V	GB1

Ind	Product No.	Type	Voltage	Country
-----	-------------	------	---------	---------

Milwaukee			
PFH 25 QEX			
Exp.view No.	Version	Date	Page
4926 3961 92	0002	13.02.07	2/3



Pos	Index	Quanti	Article No.	Designation
0227	ab.....	1	4931374856	SWITCH HANDLE
0231	ab.....	1	4931365051	BEARING COVER
0235	ab.....	1	4931365135	SPECS
0240	ab.....	1	4931374293	SPINDLE SLEEVE
0241	ab.....	1	4931392751	CLUTCH DISC
0242	ab.....	3	4931365057	CYLINDRICAL BOLT
0243	ab.....	1	4931392489	SPINDLE GEAR
0244	ab.....	3	4931944281	BALL
0245	ab.....	1	4931623234	WASHER
0246	ab.....	5	4931365066	CUP SPRING
0248	ab.....	1	4931623199	WASHER
0249	ab.....	1	4931365136	SLEEVE
0252	ab.....	1	4931945764	SPRING RING
0253	ab.....	1	4931374327	SNAP DIE
0254	ab.....	1	4931331749	RING
0255	ab.....	6	4931805437	BALL
0256	ab.....	1	4931331754	PRESSURE SPRING
0261	ab.....	1	4931623234	WASHER
0406	a.....	1	4931365911	ARMATURE
0406	.b.....	1	4931374198	ARMATURE
0431	a.....	1	4931392563	CARBON BRUSH SET
0431	.b.....	1	4931372361	CARBON BRUSH SET

Pos	Index	Quanti	Article No.	Designation
0605	ab.....	1	4931384434	DEPTH GAUGE
0606	ab.....	1	4931374642	CHUCK ADAPTER
0700	ab.....	1	4932378986	CARRYING CASE
0705	ab.....	1	4931384886	HANDLE
1200	a.....	1	4931374629	MAINTENANCE SET
1200	.b.....	1	4931374867	MAINTENANCE SET
1201	a.....	1	4931392604	CARBON BRUSH SET
1202	ab.....	1	4931271824	HOLDING-DOWN DEVIC
1203	ab.....	1	4931307423	HOLDING-DOWN DEVIC
1204	ab.....	1	4931392373	RUBBER SPRING
1205	ab.....	2	4931621772	SCREW
1206	ab.....	1	4931623885	SEAL RING
1207	ab.....	1	4931623700	SEAL RING
1208	ab.....	1	4931379289	SEAL
1209	ab.....	1	4931360319	SEAL RING
1210	ab.....	1	4931920948	O-RING
1211	ab.....	1	4931365032	SINTERED BEARING
1212	ab.....	4	4931623886	SCREW
1213	ab.....	1	4931623833	SEAL RING
1214	ab.....	2	4931267225	SCREW
1215	ab.....	1	4931374073	SCREW
1217	ab.....	1	4931623783	SEAL RING

Repairs/modification and testing of electric power tools are to be carried out by specialists. The safety regulations according to DIN/VDE/CEE/AFNOR and other regulations valid in the different countries are to be observed.

A & M Electric Tools

Rotary Hammers

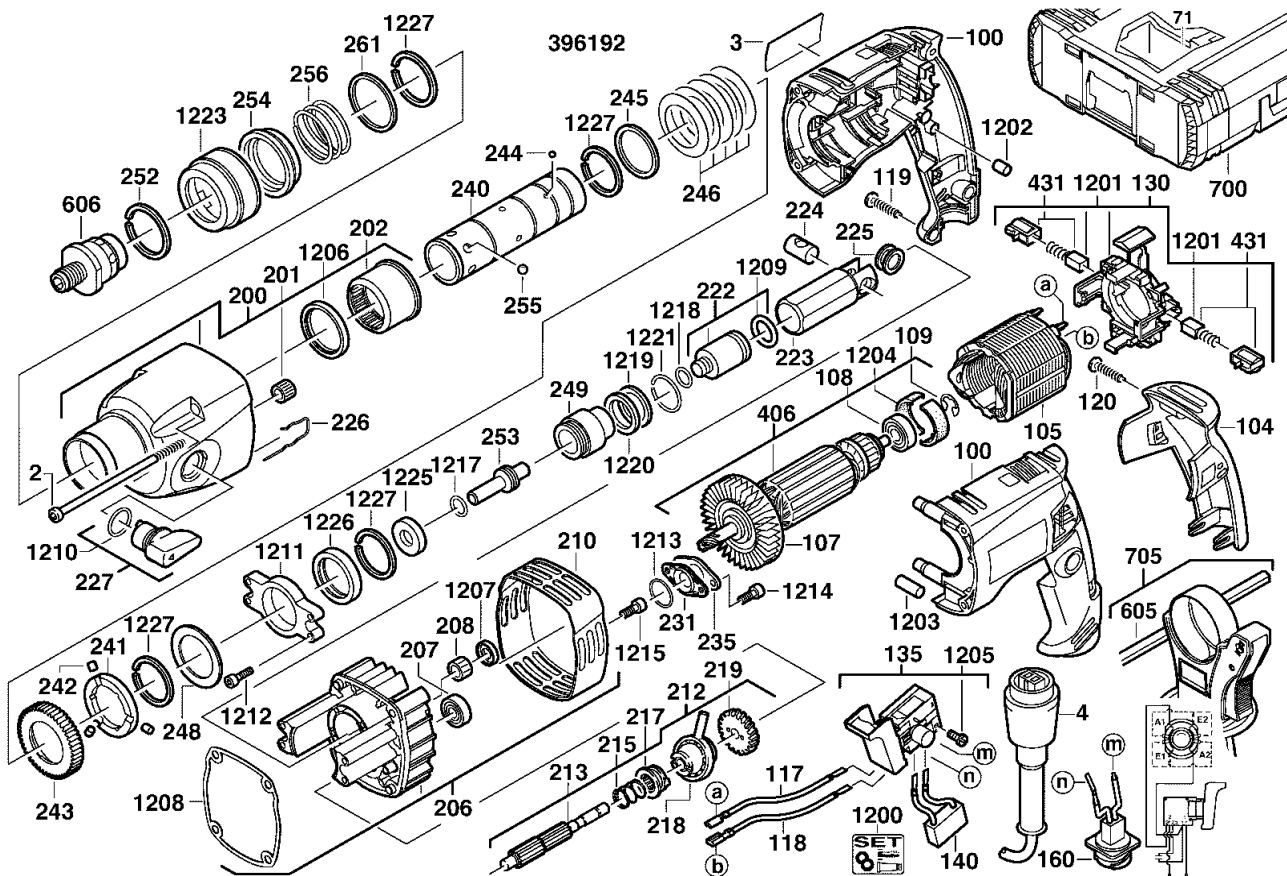
Milwaukee

PFH 25 QEX

Exp.view No. Version Date Page
4926 3961 92 0002 13.02.07 3/3

Ind	Product No.	Type	Voltage	Country
a	4000396191	PFH25QEX	220-240V	IN2
b	4000396196	PFH25QEX	110V	GB1

Ind	Product No.	Type	Voltage	Country



Pos	Index	Quanti	Article No.	Designation
	1218 ab.....	1	4931387348	O-RING
	1219 ab.....	1	4931622160	DISC
	1220 ab.....	1	4931943504	O-RING
	1221 a.....	1	4931623860	SPRING RING
	1223 ab.....	1	4931379022	SLEEVE
	1225 ab.....	1	4931374728	STOP WASHER
	1226 ab.....	1	4931365188	DAMPING RING
	1227 ab.....	4	4931945764	SPRING RING

Pos	Index	Quanti	Article No.	Designation

Repairs/modification and testing of electric power tools are to be carried out by specialists. The safety regulations according to DIN/VDE/CEE/AFNOR and other regulations valid in the different countries are to be observed.