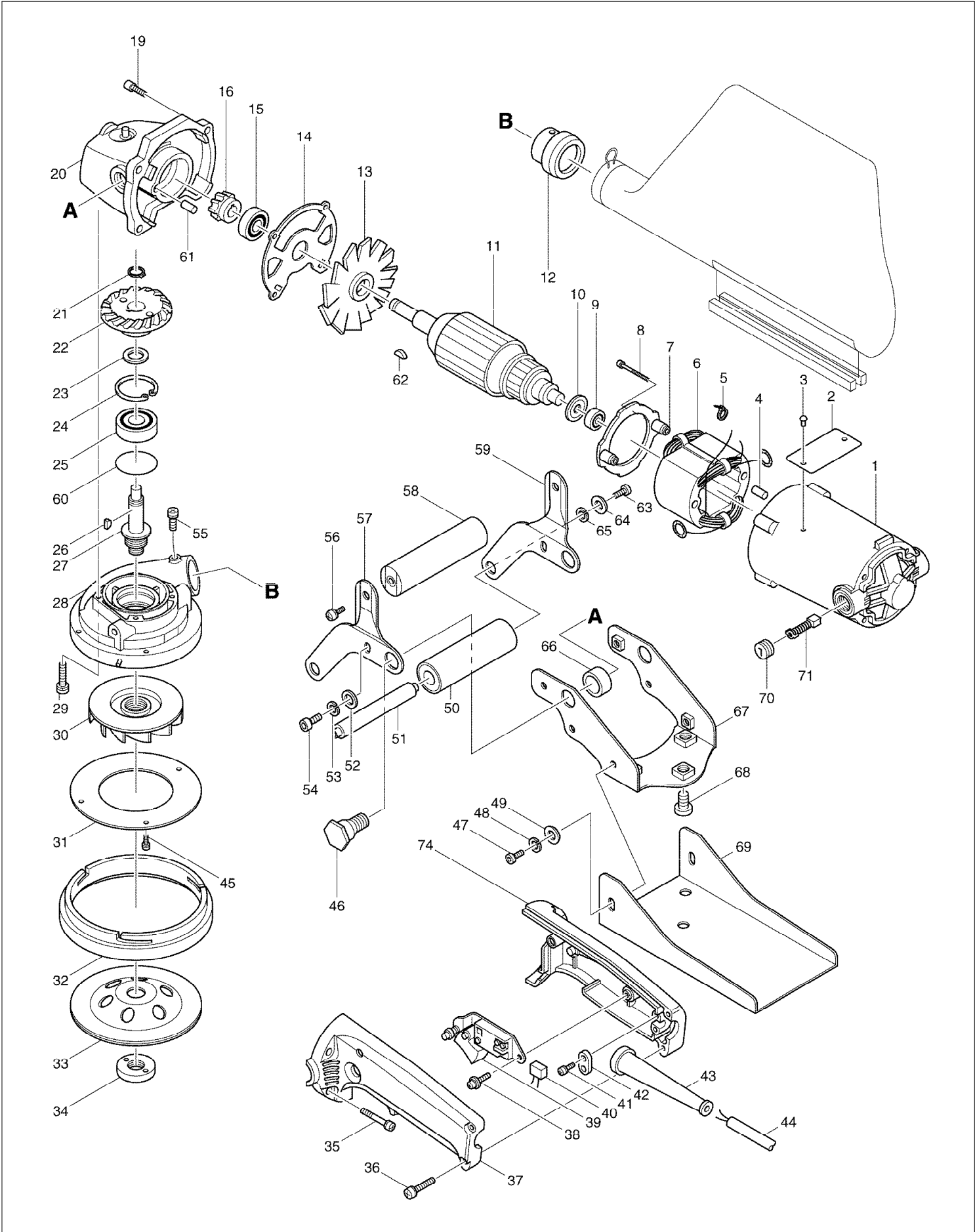


SERVICE DRAWING

MODEL NO. PC1100



SPARE PARTS LIST

MODEL NO. PC1100

ITEM	PART NO.	DESCRIPTION	QTY	NOTE
001	156844-7	MOTOR HOUSING INC. 4	1	
002	854593-7	NAME PLATE PC1100	1	
003	953101-2	RIVET 0-3	2	
004	263002-9	RUBBER PIN 4	1	
005	687010-0	BAND	1	
006	522683-1	FIELD ASS'Y 220V	1	
007	411876-4	BAFFLE PLATE	1	
008	911290-9	PAN HEAD SCREW M5X65	2	
009	*****	*****	***	*****
010	681613-2	INSULATION WASHER	2	
011	516093-2	ARMATURE ASS'Y 220V INC. 9,10,13	1	
012	341836-1	JOINT	1	
013	241517-6	FAN 70	1	
014	341850-7	PLATE	1	
015	211088-7	BALL BEARING 6000DDW	1	
016	181737-9	SPIRAL BEVEL GEAR SET INC. 22	1	
019	911241-2	PAN HEAD SCREW M5X25	4	
020	*****	*****	***	*****
021	961052-5	RETAINING RING S-12	1	
022	181737-9	SPIRAL BEVEL GEAR SET INC. 16	1	
023	257088-3	RING 12	1	
024	962151-6	RETAINING RING R-32	1	
025	211129-9	BALL BEARING 6201DDW	1	
026	254002-0	WOODRUFF KEY 3	1	
027	321437-1	SPINDLE	1	
028	157312-3	GEAR HOUSING COVER	1	
029	*****	*****	***	*****
030	241637-6	FAN 76	1	
031	341835-3	SEPARATOR	1	
032	421182-9	DUST COVER	1	
033	792289-1	OFFSET DIAMOND WHEEL 110	1	
034	224526-0	LOCK NUT 12-30	1	
035	911248-8	PAN HEAD SCREW M5X28	4	
036	911143-2	PAN HEAD SCREW M4X22	3	
037	181460-6	HANDLE SET INC. 74	1	
038	911104-2	PAN HEAD SCREW M4X6	1	
039	651033-4	SWITCH HPAHR2-35S	1	
040	645105-5	NOISE SUPPRESSOR	1	
041	911133-5	PAN HEAD SCREW M4X18	2	
042	687031-2	STRAIN RELIEF	1	
043	682540-6	CORD GUARD 9.3-90	1	
044	665865-3	POWER SUPPLY CORD 1.0-2-2.5	1	
045	911111-5	PAN HEAD SCREW M4X10	3	
046	265264-5	HEX. BOLT M12	2	
047	922312-0	HEX. SOCKET HEAD BOLT M6X12	2	
048	942151-2	SPRING WASHER 6	2	
049	253011-6	FLAT WASHER 6	2	
050	152179-4	FRONT ROLLER COMPLETE	1	
051	321436-3	FRONT ROLLER SHAFT	1	
052	941151-9	FLAT WASHER 6	2	
053	942151-2	SPRING WASHER 6	2	
054	922311-2	HEX. SOCKET HEAD BOLT M6X12	2	
055	911202-2	PAN HEAD SCREW M5X8	1	
056	911211-1	PAN HEAD SCREW M5X12	2	
057	341838-7	GRIP HOLDER L	1	
058	273416-4	GRIP 25	1	

SPARE PARTS LIST

MODEL NO. PC1100

ITEM	PART NO.	DESCRIPTION	QTY	NOTE
059	341837-9	GRIP HOLDER R	2	
060	213459-4	O RING 32	1	
061	263002-9	RUBBER PIN 4	1	
062	254002-0	WOODRUFF KEY 3	1	
063	922312-0	HEX. SOCKET HEAD BOLT M6X12	2	
064	942151-2	SPRING WASHER 6	2	
065	253011-6	FLAT WASHER 6	2	
066	257579-4	SLEEVE 16	2	
067	341839-5	BASE HOLDER	1	
068	*****	*****	***	*****
069	341840-0	BASE	1	
070	643600-9	BRUSH HOLDER CAP 6-10	1	
071	181030-1	CARBON BRUSH CB-100	1	
074	181460-6	HANDLE SET INC. 37	1	
400	782401-1	LOCK NUT WRENCH 20	1	
401	783001-0	(-) SCREWDRIVER 6	1	
402	783203-8	HEX. WRENCH 5	1	
403	*****	*****	***	*****
404	122193-4	DUST BAG ASS'Y	1	