

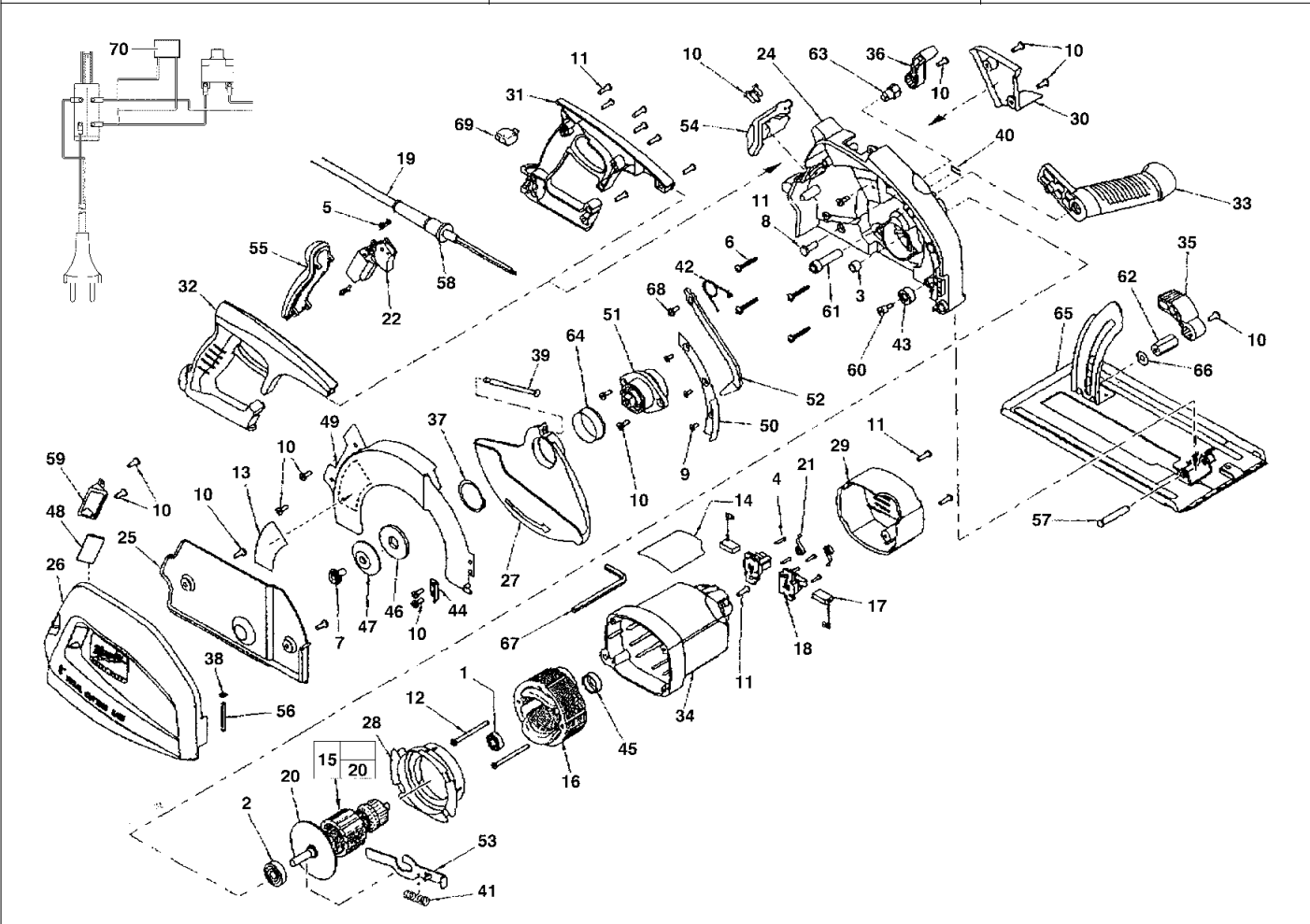
A & M Electric Tools

Circular Saws

Ind Product No.	Type	Voltage	Country
a 4000393326	MCS65	220-240V	IN2

Ind Product No.	Type	Voltage	Country

Milwaukee			
MCS 65			
Exp.view No.	Version	Date	Page
4926 3933 29	0002	03.05.06	1/2



Pos	Index	Quanti	Article No.	Designation	Pos	Index	Quanti	Article No.	Designation
0001	a.....	1	4931393725	BEARING	0024	a.....	1	4931393748	GEAR CASE
0002	a.....	1	4931393726	BEARING	0025	a.....	1	4931393749	COVER
0003	a.....	1	4931393727	NEEDLE BEARING	0026	a.....	1	4931393750	COVER
0004	a.....	4	4931393728	SCREW	0027	a.....	1	4931393751	GUARD
0005	a.....	4	4931393729	SCREW	0028	a.....	1	4931393752	FAN
0006	a.....	4	4931393730	SCREW	0029	a.....	1	4931393753	MOTOR COVER
0007	a.....	1	4931393731	SCREW	0030	a.....	1	4931393754	WIRE
0008	a.....	1	4931393732	SCREW	0031	a.....	1	4931393755	LEFT HANDLE HALF
0009	a.....	3	4931393733	SCREW	0032	a.....	1	4931393756	RIGHT HANDLE HALF
0010	a.....	15	4931393734	SCREW	0033	a.....	1	4931393757	HANDLE
0011	a.....	13	4931393735	SCREW	0034	a.....	1	4931393758	MOTOR HOUSING
0012	a.....	2	4931393736	SCREW	0035	a.....	1	4931393759	LEVER
0013	a.....	1	4931393737	WARNING PLATE	0036	a.....	1	4931393760	GUARD
0014	a.....	1	4931393738	NAME PLATE	0037	a.....	1	4931393761	RETAINING RING
0015	a.....	1	4931393739	ARMATURE	0038	a.....	1	4931393762	RING
0016	a.....	1	4931393740	ELECTRIC FIELD	0039	a.....	1	4931393763	SPRING
0017	a.....	2	4931393741	CARBON BRUSH	0040	a.....	1	4931393764	WRENCH
0018	a.....	2	4931393742	BRUSH HOLDER	0041	a.....	1	4931393765	SPINDLE LOCK
0019	a.....	1	4931393743	CABLE	0042	a.....	1	4931393766	TORSION SPRING
0020	a.....	1	4931393744	FAN	0043	a.....	1	4931393767	STOP
0021	a.....	2	4931393745	BRUSH SPRING	0044	a.....	1	4931393768	CLIP
0022	a.....	1	4931393746	SWITCH	0045	a.....	1	4931393769	BEARING

Repairs/modification and testing of electric power tools are to be carried out by specialists. The safety regulations according to DIN/VDE/CEE/AFNOR and other regulations valid in the different countries are to be observed.

A & M Electric Tools

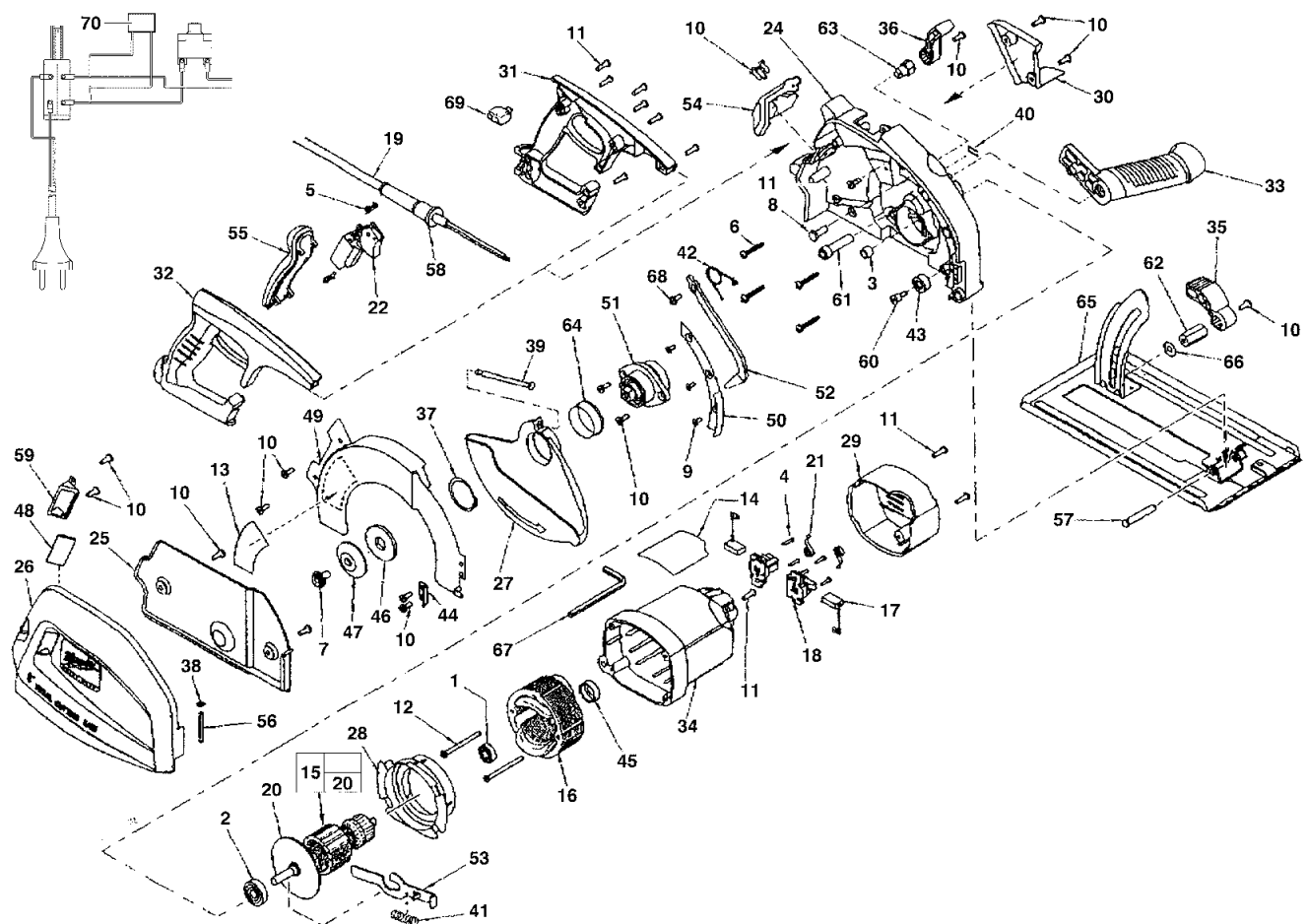
Circular Saws

Ind Product No. Type Voltage Country
a 4000393326 MCS65 220-240V IN2

Ind Product No. Type Voltage Country

Milwaukee
MCS 65

Exp.view No. Version Date Page
4926 3933 29 0002 03.05.06 2/2



Pos	Index	Quanti	Article No.	Designation
0046	a.....	1	4931393770	FLANGE
0047	a.....	1	4931393771	FLANGE
0048	a.....	1	4931393772	GLASS
0049	a.....	1	4931393773	COVER
0050	a.....	1	4931393774	CHIP GUIDE PLATE
0051	a.....	1	4931393775	HUB
0052	a.....	1	4931393776	GUARD
0053	a.....	1	4931393777	SPINDLE
0054	a.....	1	4931393778	LATCH
0055	a.....	1	4931393779	GRIP
0056	a.....	1	4931393780	PIN
0057	a.....	1	4931393781	PIN
0058	a.....	1	4931393782	PROTECTING COVER
0059	a.....	1	4931393783	PROTECTING COVER
0060	a.....	1	4931393784	STOP
0061	a.....	1	4931393785	BOLT
0062	a.....	1	4931393786	SHAFT
0063	a.....	1	4931393787	SHAFT
0064	a.....	1	4931393788	SLEEVE
0065	a.....	1	4931393789	BASE PLATE
0066	a.....	1	4931393790	WASHER
0067	a.....	1	4931616068	HEX WRENCH

Pos	Index	Quanti	Article No.	Designation
0068	a.....	1	4931393792	SCREW
0069	a.....	1	4931393793	GUARD
0070	a.....	1	4931393794	INTERFERENCE SUPPR

Repairs/modification and testing of electric power tools are to be carried out by specialists. The safety regulations according to DIN/VDE/CEE/AFNOR and other regulations valid in the different countries are to be observed.