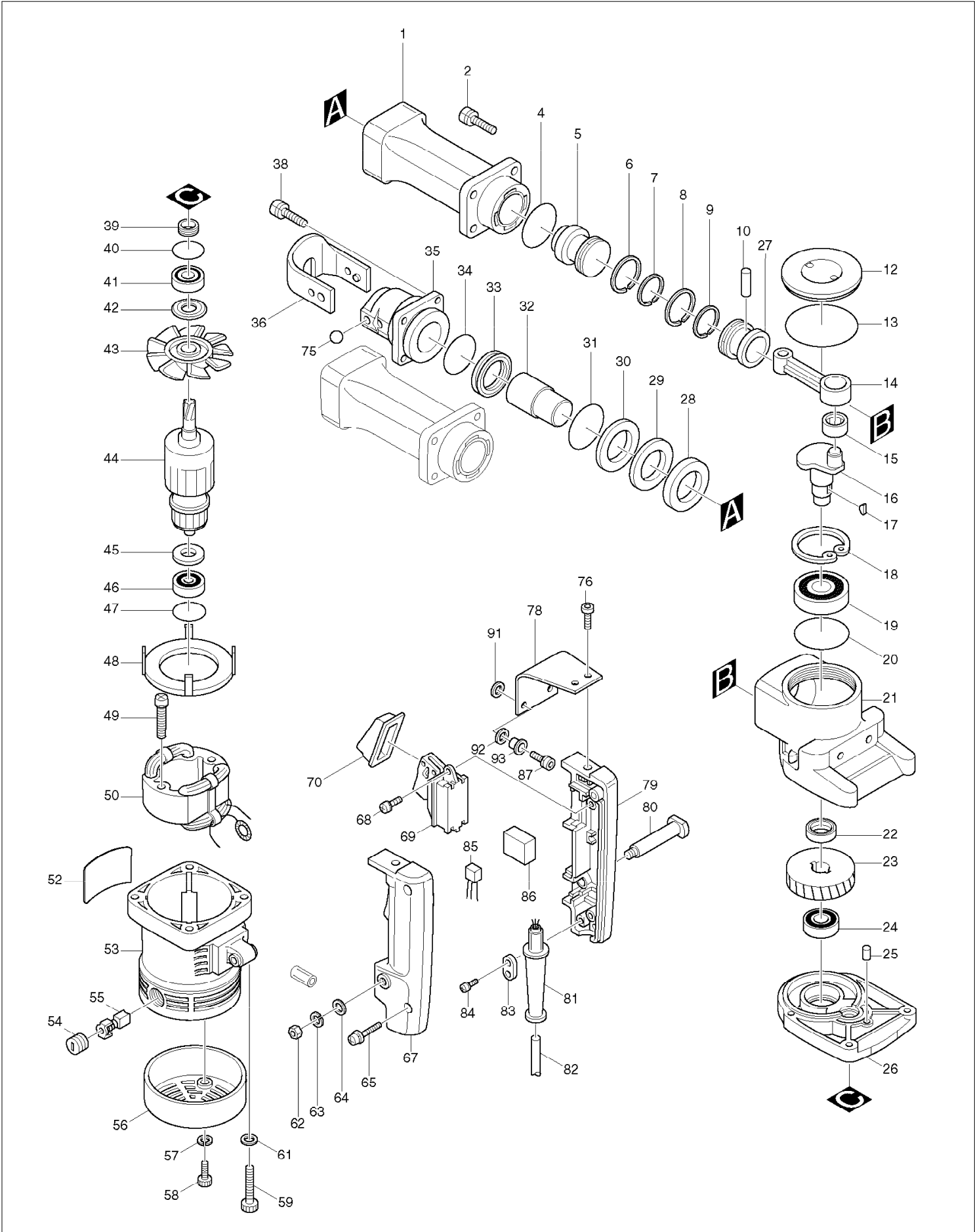


# SERVICE DRAWING

MODEL NO. HM1200



# SPARE PARTS LIST

MODEL NO. HM1200

ITEM	PART NO.	DESCRIPTION	QTY	NOTE
001	151310-9	BARREL COMPLETE	1	
002	922451-6	HEX. SOCKET HEAD BOLT M8X30	4	
004	213655-4	O RING 56	1	
005	321732-9	STRIKER	1	
006	412049-2	PISTON RING 40	1	
007	341862-0	INNER RING 36	1	
008	412049-2	PISTON RING 40	1	
009	341862-0	INNER RING 36	1	
010	256120-0	PIN 10	1	
012	*****	*****	***	*****
013	213754-2	O RING 71	1	
014	315419-3	CONNECTING ROD	1	
015	212208-6	NEEDLE BEARING 1516	1	
016	152180-9	CRANK SHAFT COMPLETE	1	
017	254001-2	WOODRUFF KEY 4	2	
018	962251-2	RETAINING RING R-52	1	
019	*****	*****	***	*****
020	213656-2	O RING 53	1	
021	156863-3	CRANK HOUSING COMPLETE INC. 20	1	
022	213306-9	OIL SEAL 20	1	
023	221701-9	HELICAL GEAR 50	1	
024	211209-1	BALL BEARING 6202	1	
025	256111-1	PIN 6	1	
026	157072-7	GEAR HOUSING INC. 40	1	
027	321441-0	PISTON	1	
028	267058-4	FLAT WASHER 32	1	
029	261054-4	NYLON WASHER 32	1	
030	253845-7	FLAT WASHER 31	1	
031	213604-1	O RING 50	1	
032	322107-5	IMPACT BOLT	1	
033	213472-2	X RING 35	1	
034	213464-1	O RING 34	1	
035	321440-2	TOOL HOLDER	1	
036	164617-4	TOOL RETAINER	1	
038	922451-6	HEX. SOCKET HEAD BOLT M8X30	4	
039	331180-4	SEAL	1	
040	213460-9	O RING 35	1	
041	211206-7	BALL BEARING 6202LLB	1	
042	213202-1	DUST SEAL 15	1	
043	241638-4	FAN 94	1	
044	*****	*****	***	*****
045	*****	*****	***	*****
046	*****	*****	***	*****
047	213406-5	O RING 30	1	
048	410163-8	BAFFLE PLATE	1	
049	265347-1	+ HEX. BOLT M5X45	2	
050	528910-4	FIELD ASS'Y 220V	1	
052	854979-5	NAME PLATE HM1200	1	
053	*****	*****	***	*****
054	643650-4	BRUSH HOLDER CAP 6.5-13.5	2	
055	181048-2	A.C. CARBON BRUSH CB-155	1	
056	284055-5	REAR COVER	1	
057	942101-7	SPRING WASHER 5	2	
058	*****	*****	***	*****
059	922371-4	HEX. SOCKET HEAD BOLT M6X50	4	
061	941151-9	FLAT WASHER 6	4	
062	931302-2	HEX. NUT M6	1	
063	942151-2	SPRING WASHER 6	1	
064	941151-9	FLAT WASHER 6	1	

# SPARE PARTS LIST

MODEL NO. HM1200

ITEM	PART NO.	DESCRIPTION	QTY	NOTE
065	911243-8	PAN HEAD SCREW M5X25	2	
067	182077-8	HANDLE SET INC. 79	1	
068	911129-6	PAN HEAD SCREW M4X16	1	
069	651145-3	SWITCH C3D-H-MS	1	
070	421265-5	DUST COVER	1	
072	*****	*****	***	*****
074	*****	*****	***	*****
075	216003-6	STEEL BALL 10	1	
076	922316-2	HEX. SOCKET HEAD BOLT M6X14	2	
078	343755-7	CUSHION PLATE	2	
079	182077-8	HANDLE SET INC. 67	1	
080	321210-9	HANDLE SHAFT	1	
081	682540-6	CORD GUARD 9.3-90	1	
082	665883-1	POWER SUPPLY CORD 1.0-2-5.0	1	
083	687031-2	STRAIN RELIEF	1	
084	911133-5	PAN HEAD SCREW M4X18	2	
085	645253-0	NOISE SUPPRESSOR	1	
086	685700-9	SPONGE SHEET	1	
087	265914-2	HEX. SOCKET HEAD BOLT M6X25	2	
091	262051-3	RUBBER RING 9	2	
092	262052-1	RUBBER RING 9	2	
093	257636-8	SLEEVE 6	2	
094	*****	*****	***	*****
095	*****	*****	***	*****
096	*****	*****	***	*****
097	252640-2	WING NUT M8	1	
098	417002-3	SIDE HANDLE CAM	2	
099	819063-3	MAKITA LABEL	2	
400	783202-0	HEX. WRENCH 4	1	
403	*****	*****	***	*****
404	*****	*****	***	*****
408	835258-0	INNER CASE	1	