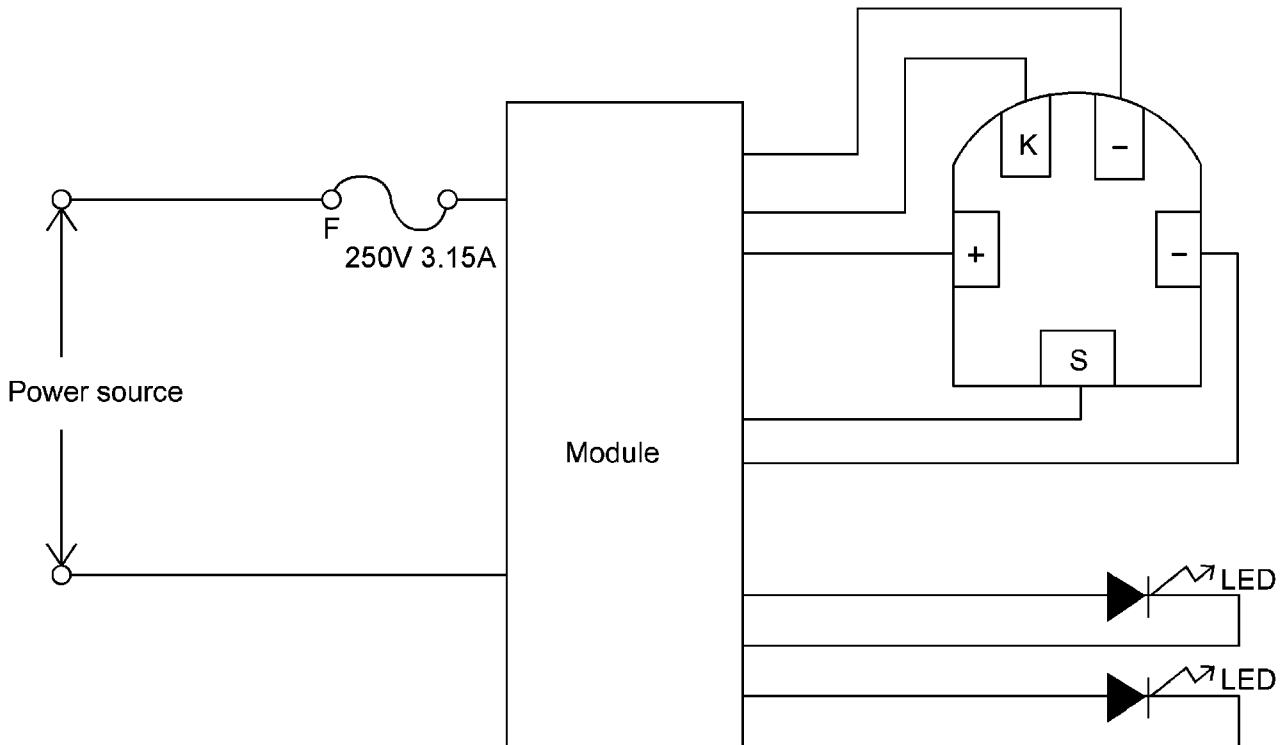


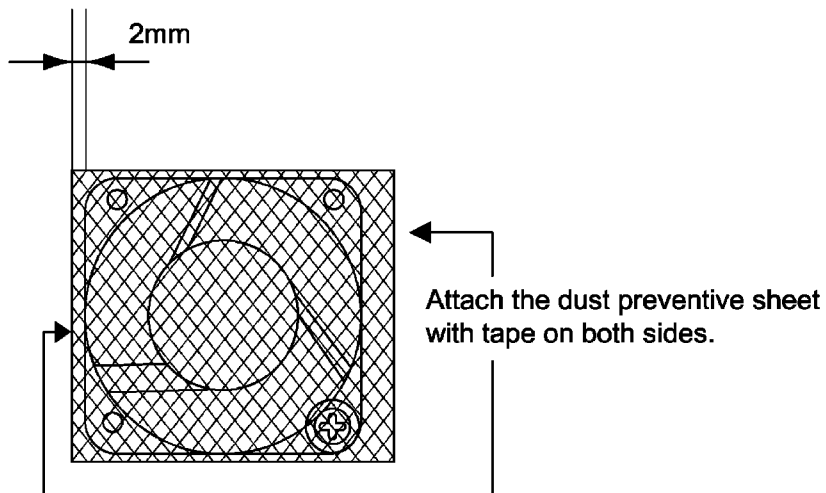


# 1 SCHEMATIC DIAGRAM

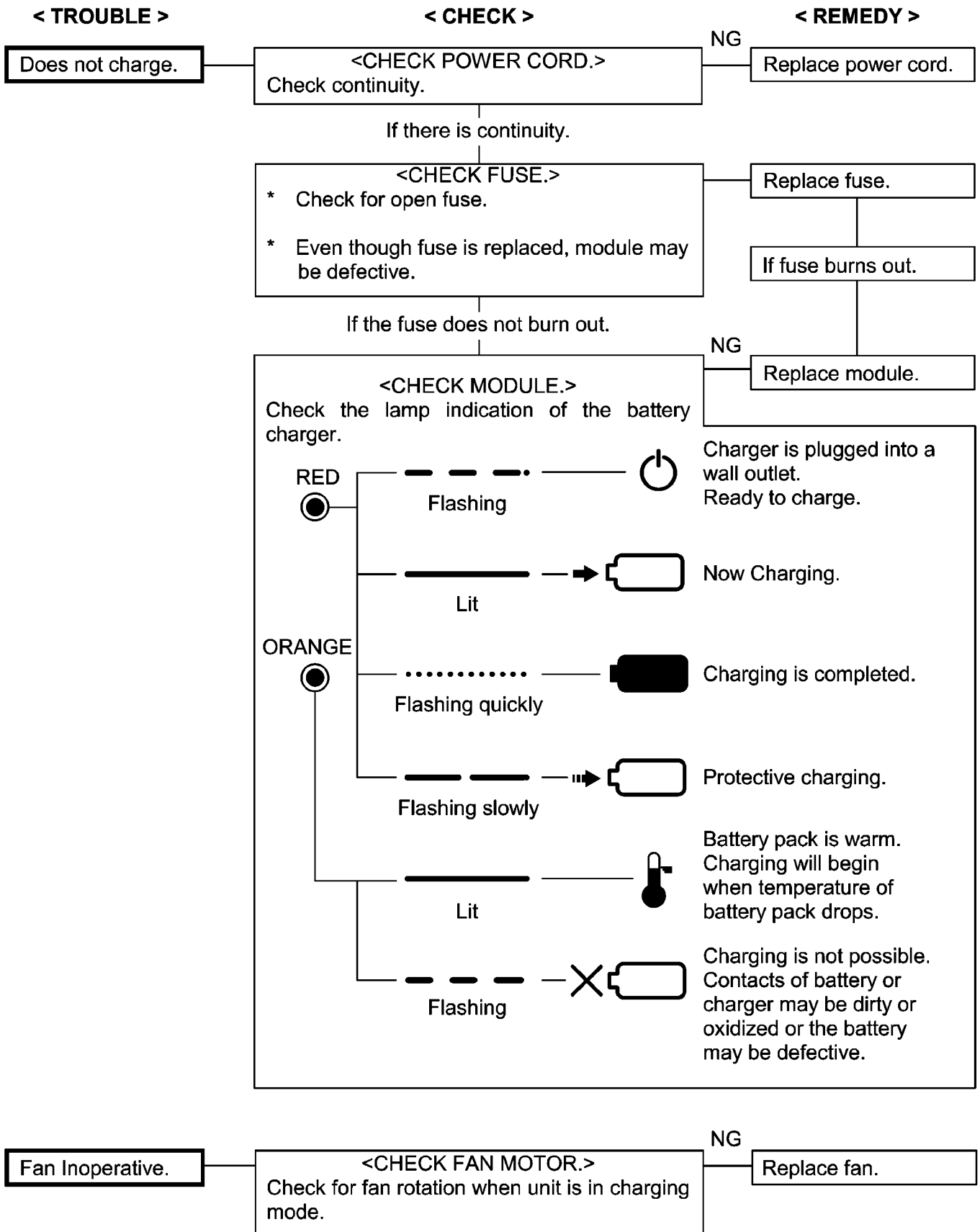


# 2 REPLACEMENT INSTRUCTIONS FOR FAN

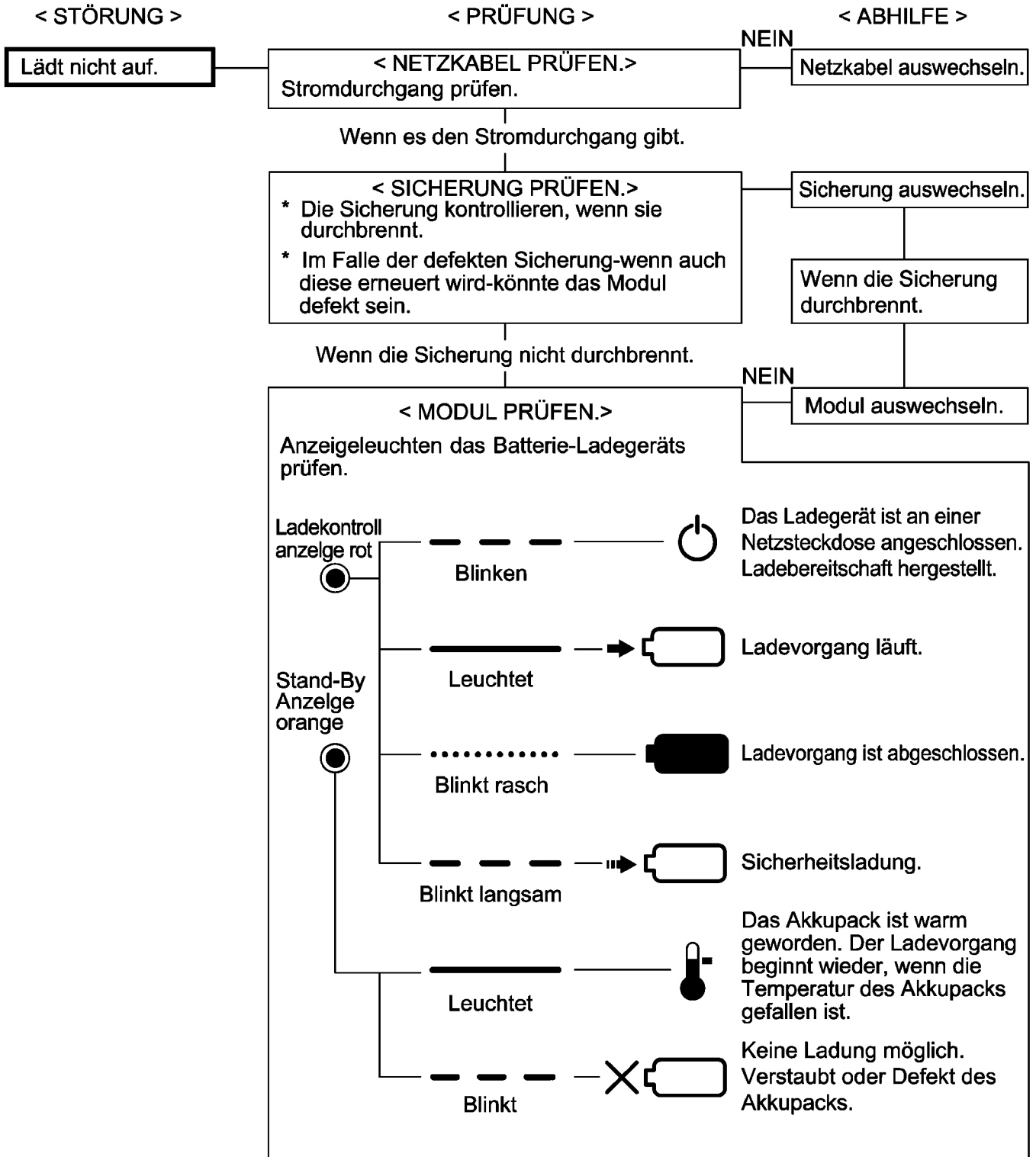
1. Remove the screw (M3×30).
2. Verify the air flow direction and install the fan motor into the screw bosses.  
 Note: Make sure that the shield plate (ref. # 10) is installed.
3. Verify the clearance about 2mm (0.08") between the fan motor and the terminal side of housing rib.



### 3 TROUBLESHOOTING GUIDE

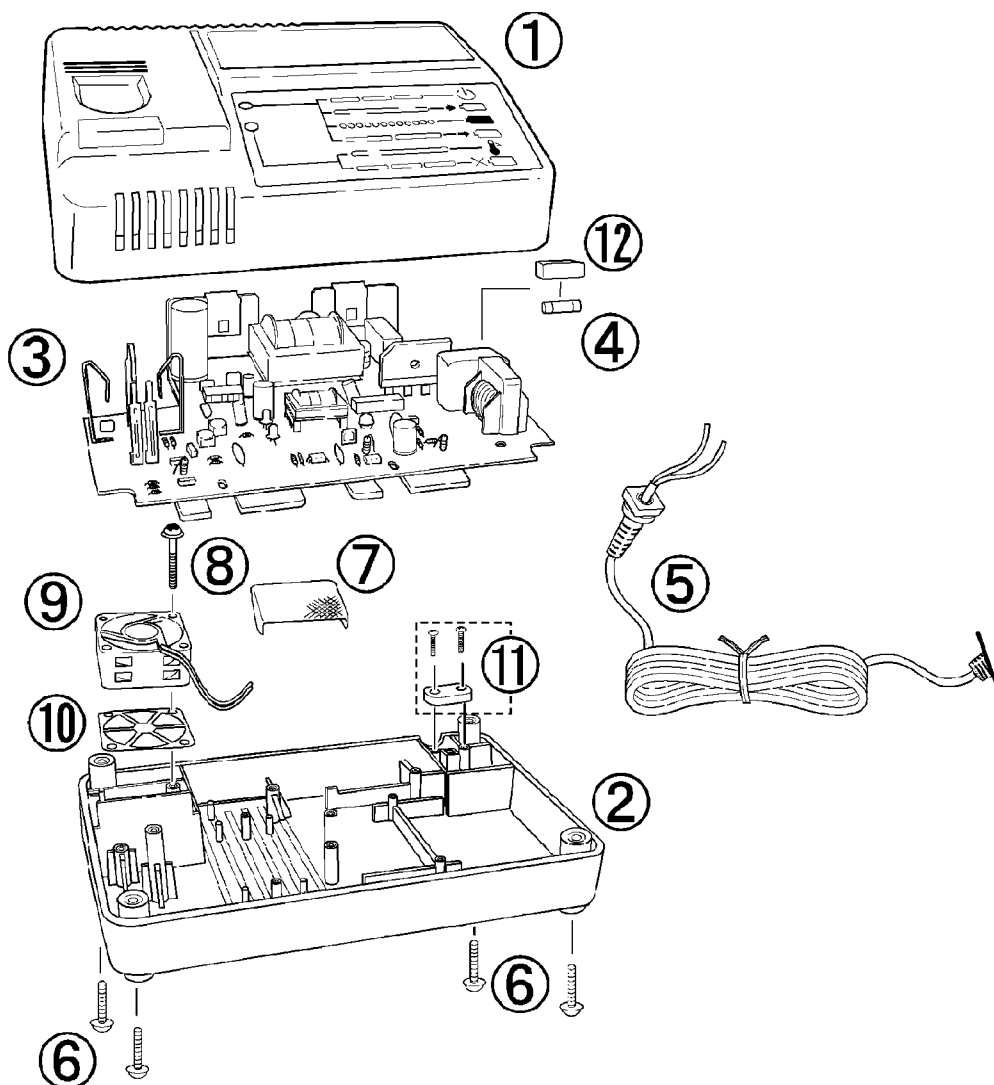


## 4 STORUNGSSUCHE



## 5 EXPLODED VIEW & REPLACEMENT PARTS LIST

### 5.1. EXPLODED VIEW



### 5.2. REPLACEMENT PARTS LIST

**NOTE:**

\*A = available as an optional accessory

\*B = only available as set

\*C = available individually

Ref. No.	Part No.	Part Name & Description	Remarks	Per Unit
1	WEY0214K3099	HOUSING A		1
2	WEY0214K3029	HOUSING B	EUROPE	1
2	WEY0214K3030	HOUSING B	OCEANIA	1
3	WEY0214K2129	MODULE		1
4	WEY0214L5258	FUSE		1
5	WEY0214K2059	POWER CORD	C-2 PLUG	1
5	WEY0214K2060	POWER CORD	B-3 PLUG	1
5	WEY0214K2061	POWER CORD	O PLUG	1
6	WEY0217K6237	TAPPING SCREW FOR CHARGER	*C K3-20	4
7	WEY0208L0127	DUST PREVENTIVE PLATE		▲ 1
8	WEY0208L9057	B-TIGHT SCREW	3*30	▲ 1
9	WEY0214L1008	FAN MOTOR		1
10	WEY0214L0208	SHIELDING PLATE		1
11	WEY562B0218	CORD ANCHORE		1
12	WEY0102A3108	FUSE COVER		1
-	WEY0214K8009	INDIVIDUAL BOX		▲ 1
-	WEY0214K8109	OPERATING INSTRUCTIONS		▲ 1