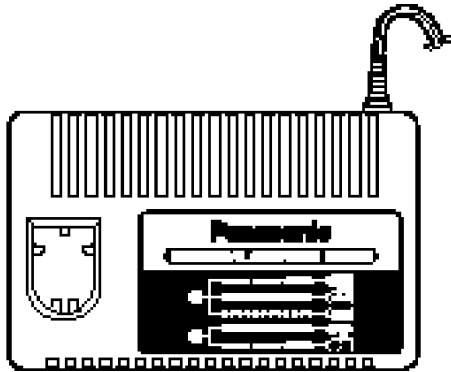


# Service Manual

Battery charger

EY0110-X8



## SPECIFICATIONS

Input	220V-240V AC, 50-60Hz
Output	DC 9...32V, 3.75A
Weight	0.78kg (1.72lbs.)

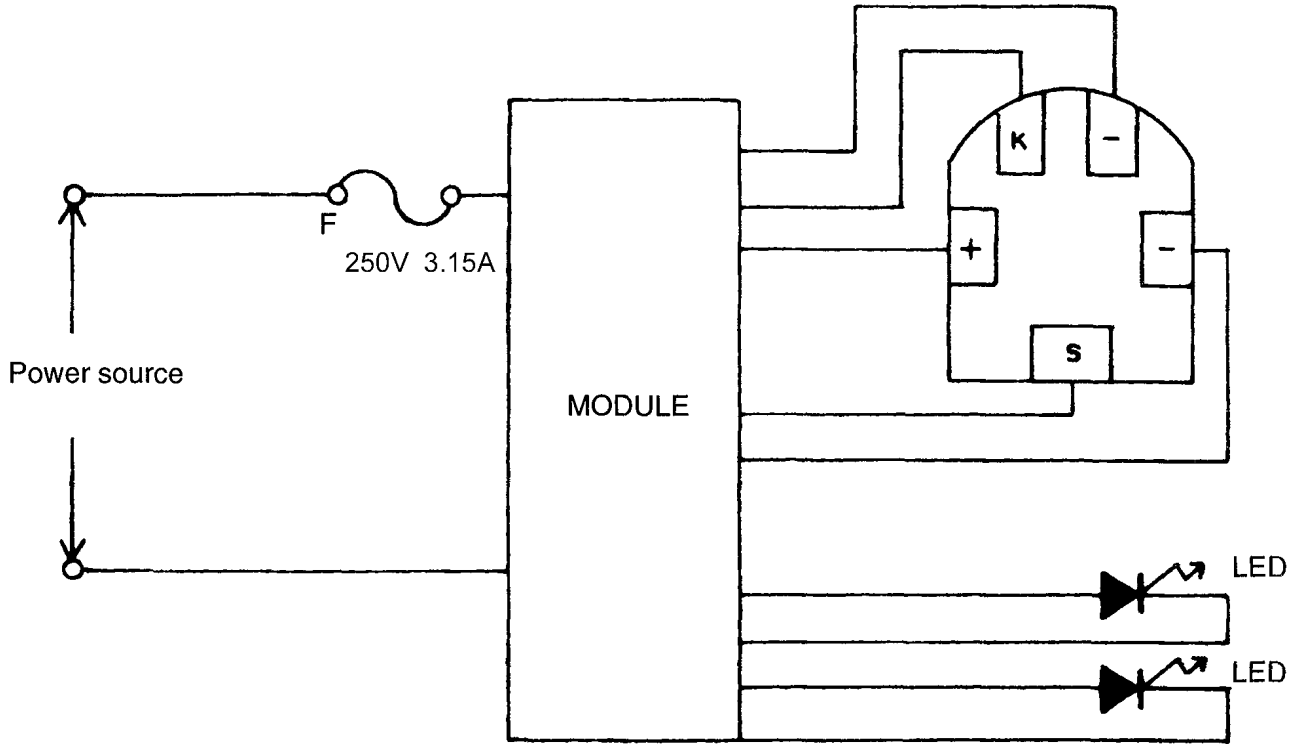
### WARNING

This service information is designed for experienced repair technicians only and is not designed for use by the general public. It does not contain warnings or cautions to advise non-technical individuals of potential dangers in attempting to service a product. Products powered by electricity should be serviced or repaired only by experienced professional technicians. Any attempt to service or repair the product or products dealt with in this service information by anyone else could result in serious injury or death.

## CONTENTS

	Page		Page
1 SCHEMATIC DIAGRAM .....	2	3 EXPLODED VIEW .....	4
2 TROUBLESHOOTING GUIDE .....	3	4 REPLACEMENT PARTS LIST .....	4

# 1 SCHEMATIC DIAGRAM

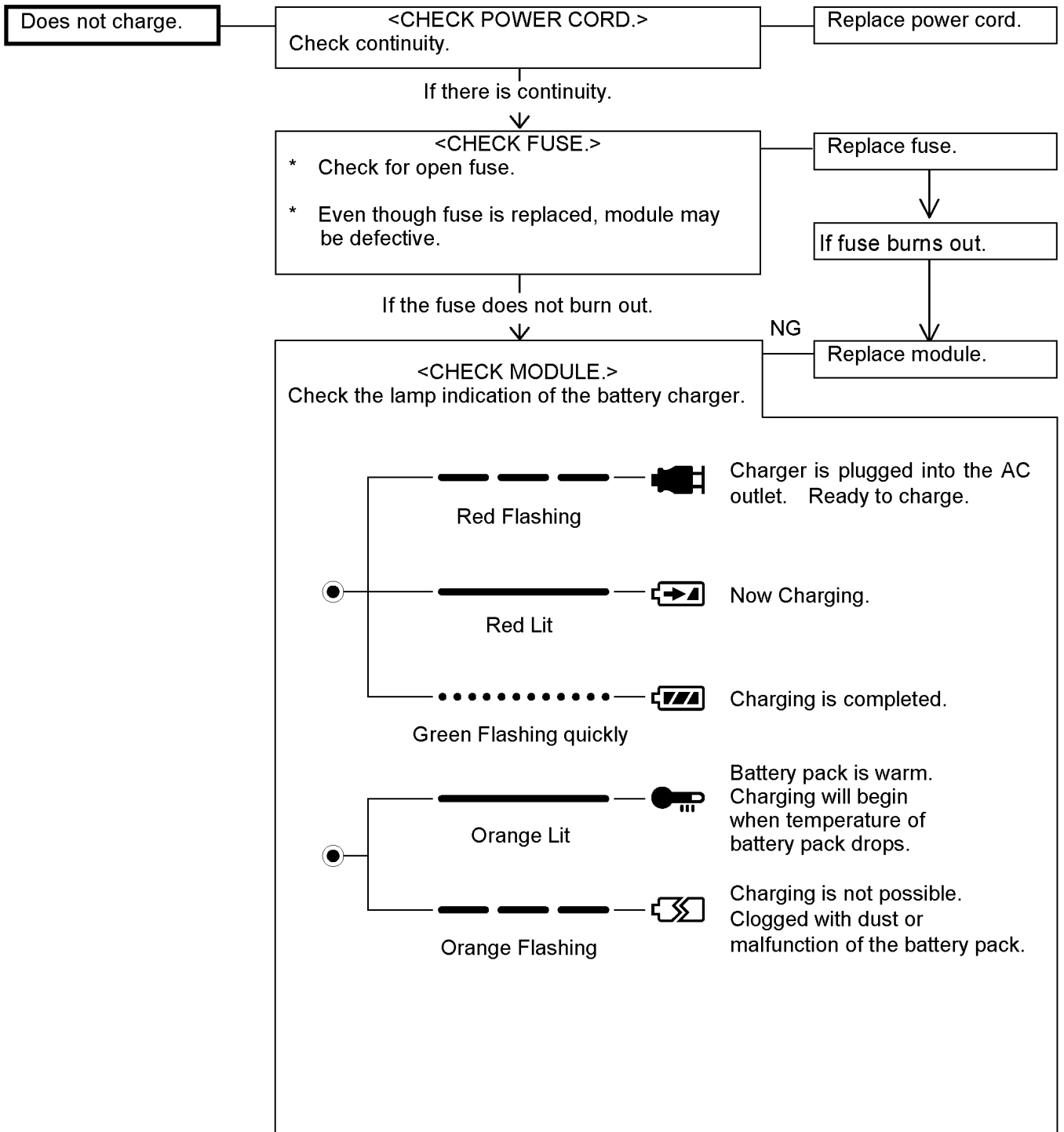


# 2 TROUBLESHOOTING GUIDE

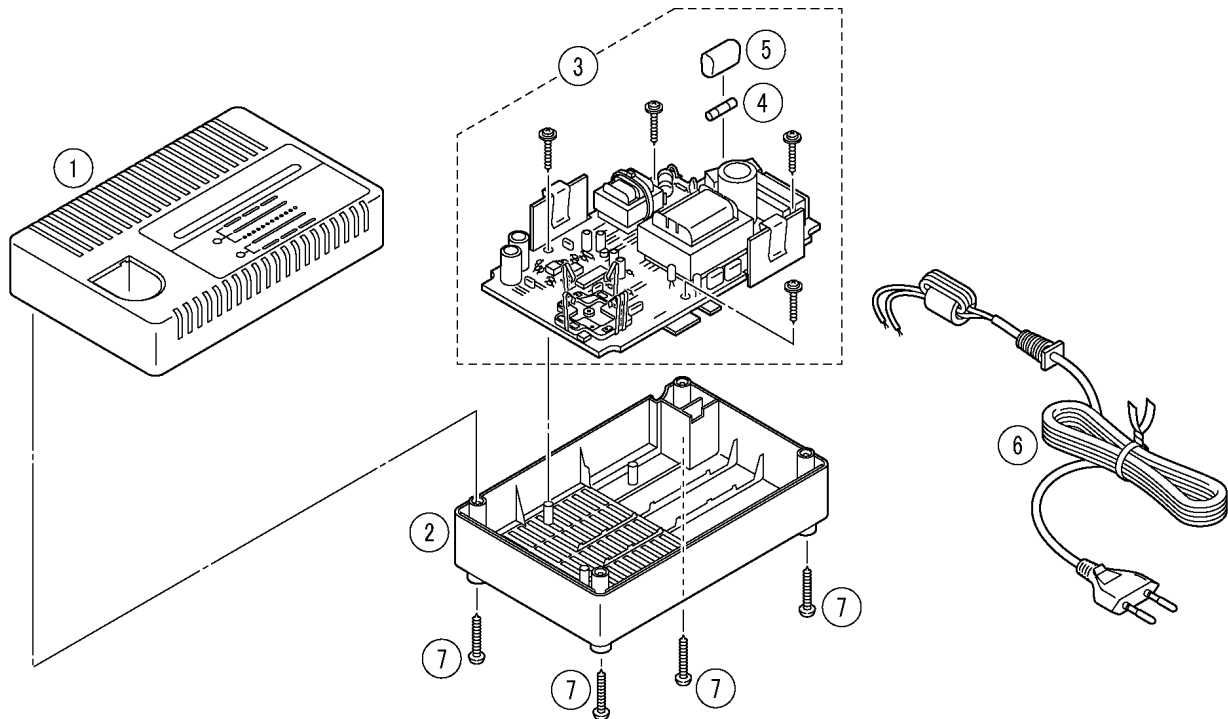
< TROUBLE >

< CHECK >

< REMEDY >



### 3 EXPLODED VIEW



### 4 REPLACEMENT PARTS LIST

**NOTE:**

\*B=only available as set

\*C=available individually

Ref. No.	Part No.	Part Name & Description	Remarks	Per Unit
1	WEY0110K3099	HOUSING A		1
2	WEY0110K3029	HOUSING B	for EUROPE	1
2	WEY0110K3020	HOUSING B	for OCEANIA	1
3	WEY0110L2129	MODULE		1
4	WEY0230L5250	FUSE	250V 3.15A	1
5	WEY0102A3108	FUSE COVER		1
6	WEY0110K2059	POWER CORD	C-2 PLUG	1
6	WEY0110K2050	POWER CORD	S-3 PLUG (for U.K.)	1
6	WEY0110K2051	POWER CORD	O PLUG (for OCEANIA)	1
7	WEY0217K6237	TORX TAPPING SCREW	*C K3-20	4
-	WEY0110K8008	INDIVIDUAL BOX		1
-	WEY0110K8109	OPERATING INSTRUCTIONS		1