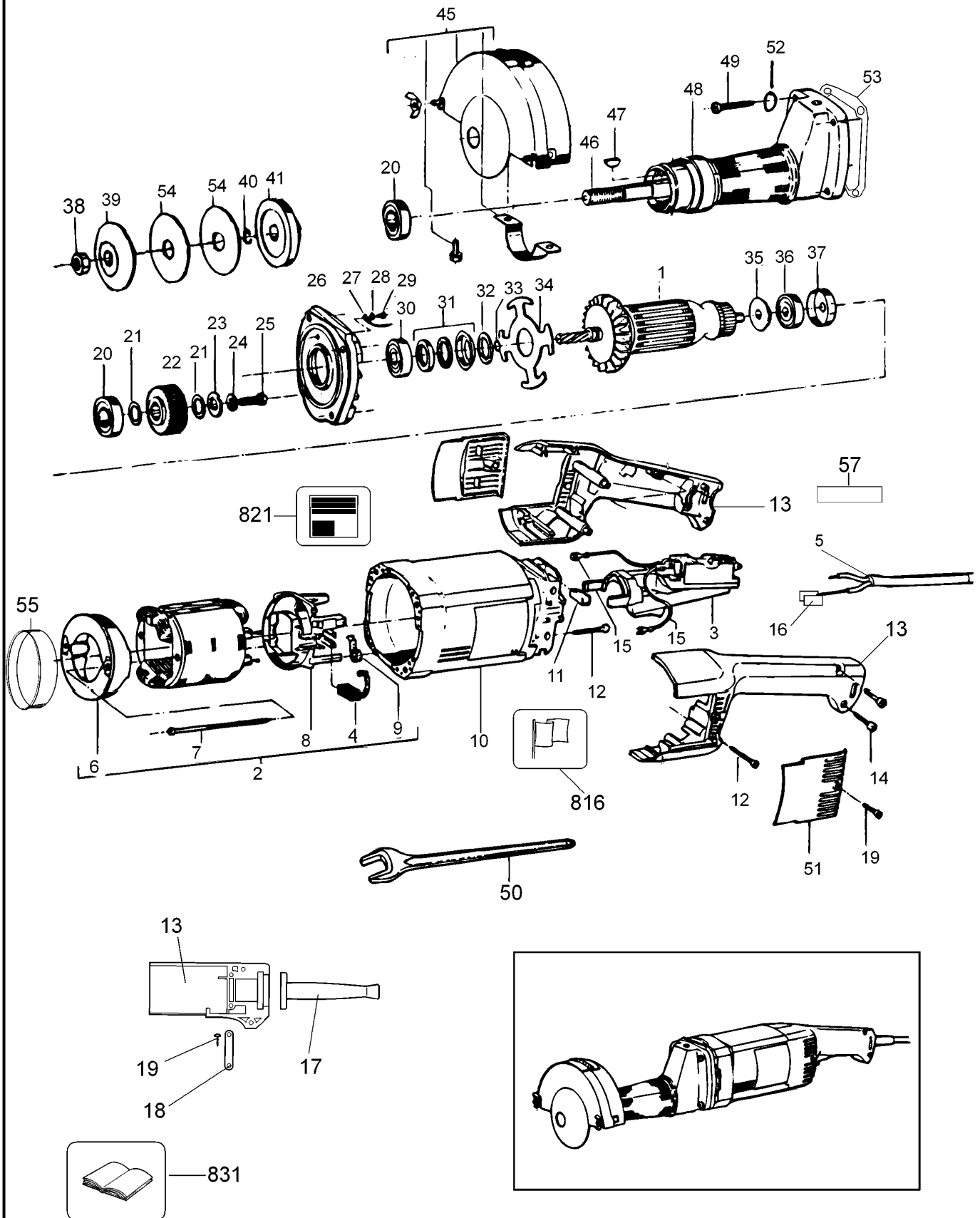


# STRAIGHT GRINDER

# DW882-----A

## TYPE 1



# STRAIGHT GRINDER

# DW882-----A

## TYPE 1



| Item No | Qty | Part Number | Description         | Part Price | Variants |
|---------|-----|-------------|---------------------|------------|----------|
| 1       | 1   | 868430-02   | ARMATURE 230V       |            | QS       |
| 2       | 1   | 940483-49   | FIELD 230V          |            | QS       |
| 3       | 1   | 949825-07   | SWITCH LOCK-ON      |            |          |
| 4       | 2   | 940160-00   | BRUSH CUT OFF       |            |          |
| 5       | 1   | 330085-02   | CORDSET (EURO)      |            | SE       |
| 6       | 1   | 931073-00   | BAFFLE              |            |          |
| 7       | 2   | 931421-00   | SCREW               |            |          |
| 8       | 1   | 935746      | BRUSH PLATE SA      |            |          |
| 8       | 1   | 935746      | BRUSH PLATE SA      |            |          |
| 9       | 2   | 931076-00   | SPRING              |            |          |
| 10      | 1   | 948134-08   | FIELDCASE           |            |          |
| 11      | 4   | 930934-00   | SHOCK ABSORBER      |            |          |
| 12      | 4   | 931297-00   | SCREW               |            |          |
| 13      | 1   | 401057-14   | HANDLE & COVER      |            |          |
| 14      | 2   | 930284-01   | SCREW               |            |          |
| 15      | 2   | 940988-60   | LEAD SA             |            |          |
| 17      | 1   | 947964-01   | CORD PROTECTOR      |            | QS       |
| 18      | 1   | 931477-00   | CORD CLAMP          |            |          |
| 19      | 4   | 931469-02   | SCREW               |            |          |
| 20      | 2   | 861721-12   | BEARING             |            |          |
| 21      | 2   | 930594-00   | WASHER              |            |          |
| 22      | 1   | 937986-00   | GEAR                |            |          |
| 23      | 1   | 12952-00    | WASHER              |            |          |
| 24      | 1   | 930834-00   | WASHER              |            |          |
| 25      | 1   | 860085-09   | SCREW.TEMP          |            |          |
| 26      | 1   | 937984-01   | GEARCASE COVER      |            |          |
| 27      | 1   | 939484-00   | LEAD                |            |          |
| 28      | 1   | 931798-00   | WASHER              |            |          |
| 29      | 1   | 931797-00   | SCREW               |            |          |
| 30      | 1   | 330003-14   | BEARING             |            |          |
| 31      | 1   | 931067-00   | SEAL SA             |            |          |
| 32      | 1   | 931062-00   | SPACER              |            |          |
| 33      | 1   | 930028-00   | O RING              |            |          |
| 34      | 1   | 931066-00   | FLANGE              |            |          |
| 35      | 1   | 938331-00   | SPACER              |            |          |
| 36      | 1   | 330003-36   | BEARING             |            |          |
| 37      | 1   | 938332-00   | SLEEVE              |            |          |
| 38      | 1   | 8535-01     | NUT                 |            |          |
| 39      | 1   | 939547-00   | FLANGE              |            |          |
| 40      | 1   | 8899-00     | CIRCLIP             |            |          |
| 41      | 1   | 939519-00   | FLANGE              |            |          |
| 44      | 1   | 000000-00   | NO LONGER AVAILABLE |            |          |
| 45      | 1   | 400731-00   | GUARD SA            |            |          |
| 46      | 1   | 937982-01   | SPINDLE             |            |          |
| 47      | 1   | 940441-00   | KEY                 |            |          |
| 48      | 1   | 948122-03   | CASTING SA          |            |          |
| 49      | 4   | 940267-00   | SCREW               |            |          |
| 50      | 1   | 939948-00   | SPANNER             |            |          |
| 51      | 2   | 933364-02   | COVER               |            |          |
| 52      | 4   | 930248-00   | WASHER              |            |          |
| 53      | 1   | 940443-00   | GASKET              |            |          |
| 54      | 1   | 939488-00   | SHOCK ABSORBER      |            |          |
| 55      | 1   | 939955-00   | SPACER              |            |          |