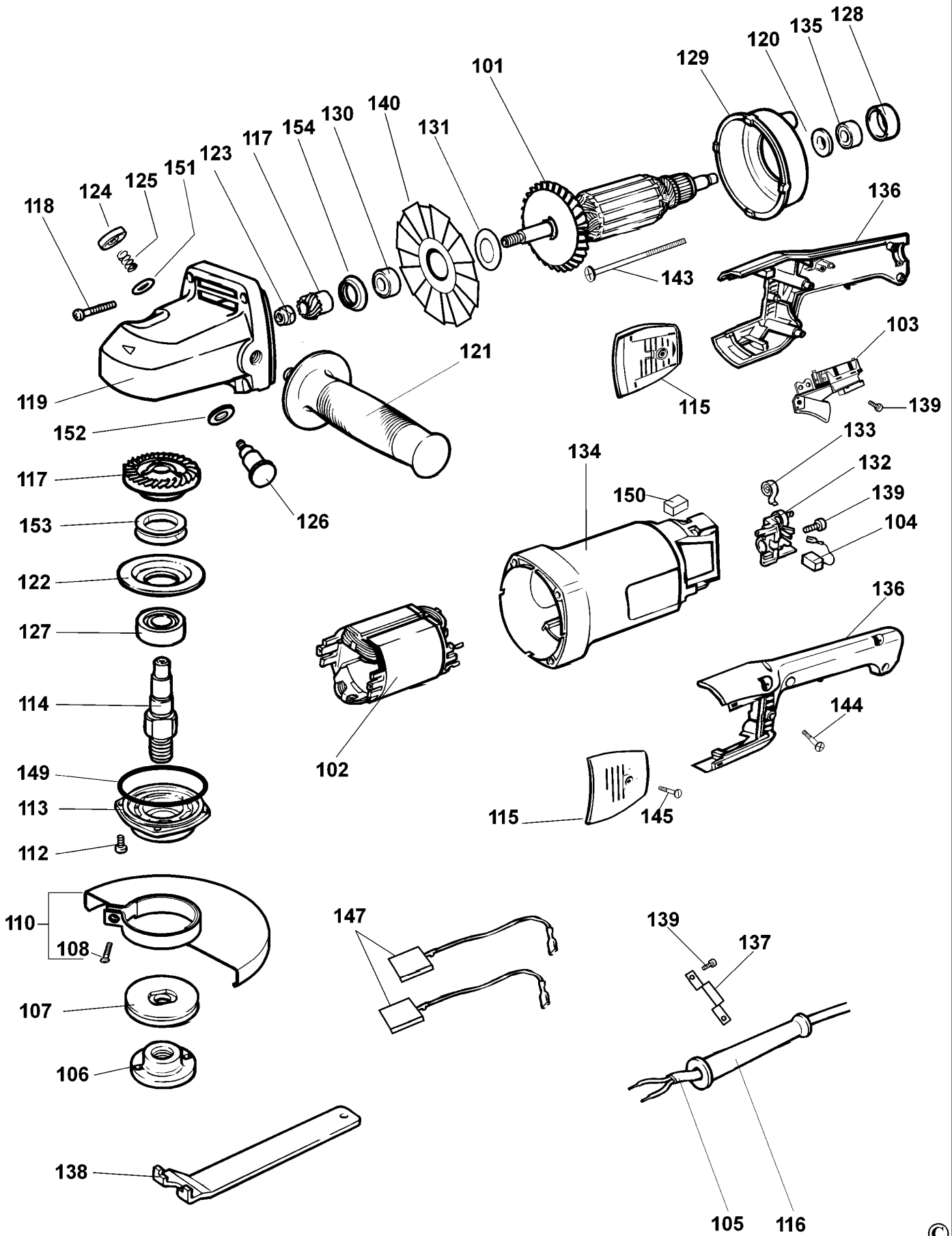


# ANGLE GRINDER

# DW840-----A

## TYPE 1



# ANGLE GRINDER

# DW840-----A

## TYPE 1



Item No	Qty	Part Number	Description	Part Price	Variants
101	1	397337-00	ARMATURE SA		SE
102	1	569588-01	FIELD 230V		SE
102	1	569588-03	FIELD 115V		GB 115V
103	1	402868-03	SWITCH		SE
103	1	402868-03	SWITCH		GB 115V
104	2	402874-05	BRUSH CUT OFF		SE
104	2	402874-07	BRUSH CUT OFF		GB 115V
105	1	330061-13	CABLE 115V		GB 115V
105	1	330080-28	CORDSET (EURO)		SE
106	1	622613-01	OUTER FLANGE		
107	1	403150-01	INNER FLANGE		
108	3	860089-07	SCREW.TEMP		
110	1	403142-00	GUARD SA		
112	4	562160-05	SCREW		
113	1	403127-00	GEARCASE COVER		
114	1	403141-00	SPINDLE		
115	1	402849-00	COVER BRUSH		SE
115	1	402849-00	COVER BRUSH		GB 115V
116	1	401088-00	PROTECTOR		GB 115V
116	1	401088-01	CORD PROTECTOR		SE
117	1	403119-01	GEAR & PINION		
118	4	562097-10	SCREW		
119	1	5140000-32	SERVICE KIT		
120	1	402861-00	SPACER		
121	1	573115-00	SIDE HANDLE		
122	1	403129-00	FLANGE		
123	1	402862-00	NUT		
124	1	944575-00	BUTTON		
125	1	562210-00	SPRING		
126	1	391018-00	SPINDLE LOCK		
127	1	949625-02	BEARING		
128	1	949721-02	SLEEVE		
129	1	403151-00	BAFFLE		
130	1	390821-02	BEARING		
131	1	930753-00	WASHER		
132	2	402869-05	BRUSH HOLDER		SE
132	2	402869-07	BRUSH HOLDER		GB 115V
133	2	402873-00	SPRING		
134	1	609206-01	FIELDCASE SA		GB 115V
134	1	609206-01	FIELDCASE SA		SE
135	1	949625-01	BEARING		
136	1	402844-06	HANDLE SA		SE
136	1	402844-06	HANDLE SA		GB 115V
137	1	930103-00	CORD CLAMP		
138	1	401680-00	WRENCH		
139	5	562097-00	SCREW		
140	1	403121-00	FLANGE		
143	2	562097-12	SCREW		
144	4	562097-03	SCREW		
145	2	945280-00	SCREW		
147	1	402878-00	LEAD		SE
147	1	402878-01	LEAD		GB 115V
149	1	403123-01	O RING		
150	2	402847-00	SHOCK ABSORBER		
151	1	403148-00	WASHER		
152	1	403149-00	O RING		
153	1	403134-00	RING		
154	1	403132-00	RETAINER		