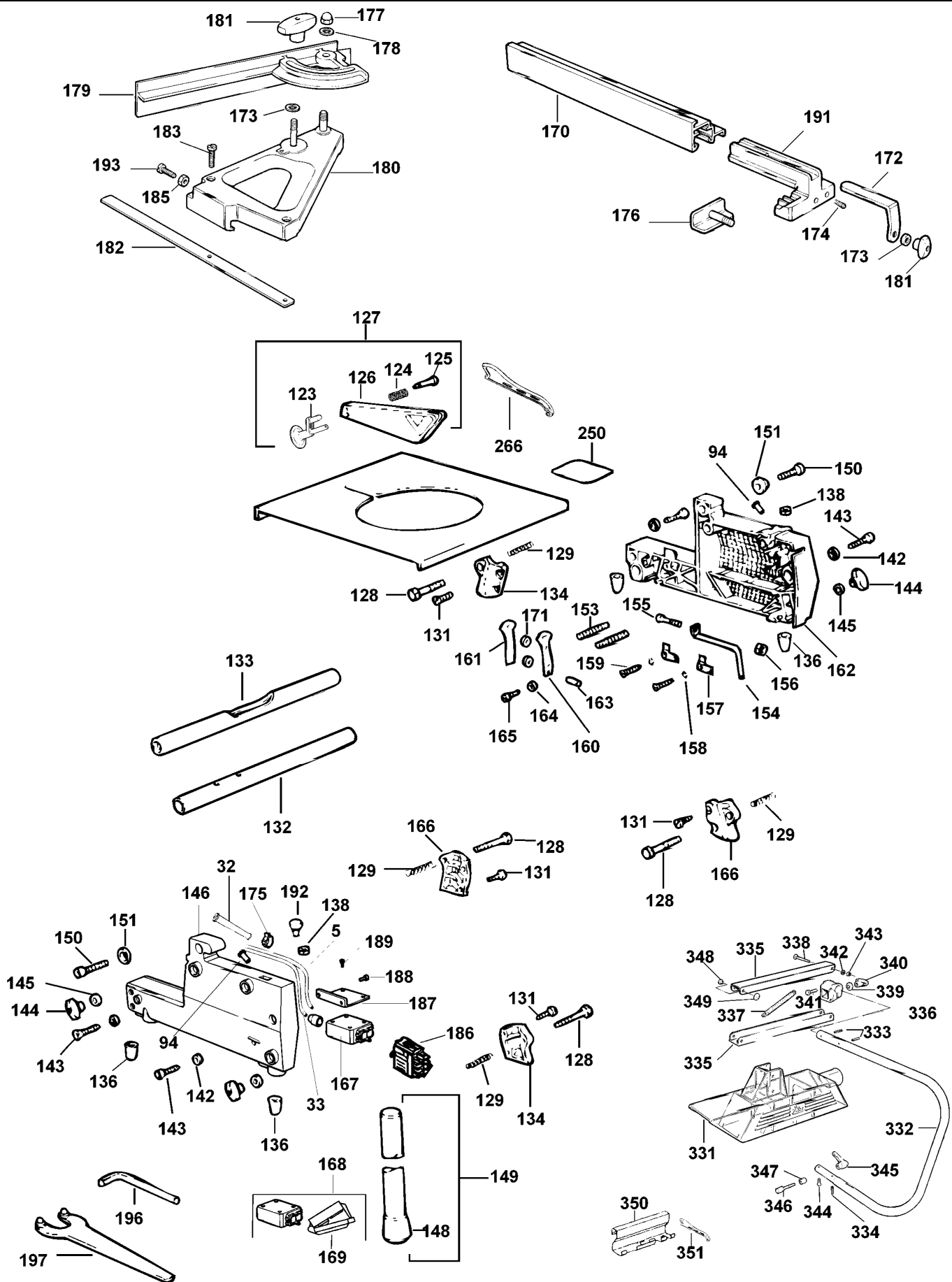


COMBINATION SAW

DW743-----A

TYPE 1



COMBINATION SAW

DW743-----A

TYPE 1



Item No	Qty	Part Number	Description	Part Price	Variants
1	1	868397-00	ROTOR SA		
2	1	868395-00	STATOR 230V		QS
3	1	868182-00	SWITCH LOCK OFF		
5	1	868181-00	CABLE & PLUG		QS
7	1	861085-01	END CAP		
8	4	861093-00	SCREW		
9	1	942413-02	FAN		
10	1	942489-01	COVER		
11	1	942453-00	KNOB		
12	1	949726-05	NUT		
13	1	861069-00	BARREL		
14	1	761054-00	SPRING		
15	1	941798-00	LOCKING PIN		
16	7	942329-00	SCREW		
17	1	761065-00	PIN		
18	1	949853-03	SCREW		
20	1	941549-00	PIN		
22	1	942363-00	SPINDLE		
23	1	861060-01	WHEEL		
24	1	860088-23	SCREW		
27	1	949884-01	LEVER		
29	1	025816200	PIN		
30	2	941800-00	WASHER LOCK		
32	1	942277-00	PROTECTOR		
33	1	868179-00	MOTOR CABLE		
34	1	945620-00	SPINDLE		
36	2	941886-00	BUSH		
37	1	949702-01	BOLT		
39	2	949743-01	SCREW		
40	1	869230-01	ROTARY TABLE		
41	1	942364-00	PLATE		
42	1	942234-00	LOCKING PIN		
43	1	861064-00	SCALE RH		
44	1	861065-00	SCALE LH		
45	1	942450-00	KNOB		
46	1	868256-00	SCREW		
47	1	942272-00	SCREW		
48	1	861062-00	FIXED TABLE		
49	1	868285-02	BACK FENCE		
50	1	942400-01	CLAMP		
51	1	330003-14	BEARING		
52	1	861993-00	SEGMENT		
53	*2	860085-28	SCREW		
54	*1	861983-01	WASHER		
55	1	861038-00	BELT		
56	1	861040-00	PULLEY		
57	1	760233-00	PIN		
58	1	941807-00	KNOB		
59	1	860491-01	SPRING		
60	1	868229-02	HOUSING SA		QS
61	1	930563-00	BEARING		
62	1	861055-01	FLANGE		
63	2	860084-11	SCREW		
64	3	860094-00	SCREW.TEMP		
65	1	860155-08	BEARING		
67	1	942490-00	BUSH		
68	1	860079-05	CIRCLIP		
69	1	868571-00	FLANGE SET SA		
70	1	868571-00	FLANGE SET SA		

COMBINATION SAW

DW743-----A

TYPE 1



71	1	860077-01	WASHER	
72	1	761295-00	SCREW	
73	1	861705-00	CIRCLIP SA	
74	1	861039-01	PULLEY	
75	1	942394-04	GUARD REAR	
76	1	942500-00	SPINDLE	
77	1	860073-03	WASHER M8	
78	1	860322-00	CIRCLIP	
79	1	942263-01	KNOB	
80	1	945767-02	HOLDER	
81	1	945739-02	RIVING KNIFE	
81	1	945740-01	RIVING KNIFE	XC
82	1	949886-16	SCREW	
83	1	860089-18	SCREW	
84	1	942508-00	TERMINAL BLOCK	
85	1	861991-00	CAP	
86	1	860089-13	SCREW	
87	3	861987-00	SPRING	
88	1	946214-01	HOLDER	
89	1	949772-43	CAPACITOR	QS
91	2	942485-00	COVER	
92	1	942467-00	LEAD SA	
93	1	942118-00	SEAL	
94	2	949701-05	SCREW	
95	1	861995-00	HANDLE COVER	
96	1	942498-03	HANDLE	
97	1	868235-00	LEVER SA	
98	1	861992-00	PADDLE	
99	1	861989-00	SCREW	
100	1	949719-04	BEARING	
101	2	860084-13	SCREW	
102	1	941544-00	CABLE CLAMP	
104	1	949896-10	SCREW	
105	1	860090-06	SCREW	
107	1	935371-00	SCREW	
108	1	861054-01	SCREW	
110	1	861478-01	SCREW	
112	1	861988-00	SPRING	
113	1	860085-17	SCREW	
114	1	861380-00	DEPTH STOP	
115	1	860083-12	NUT M6	
116	1	942244-00	BUSH	
117	1	861096-01	ROLLER	
118	1	861095-01	BUFFER	
120	1	861380-00	DEPTH STOP	
121	1	860073-08	WASHER	
123	1	861079-00	PIN	
124	1	941622-00	SPRING	
125	1	860084-11	SCREW	
126	1	941844-02	GUARD	
127	1	861080-00	GUARD SA	
128	4	860301-09	BOLT	
129	4	761054-00	SPRING	
131	1	861092-00	SCREW	
132	1	861074-01	CROSS BRACE	
133	1	861075-00	CROSS BRACE	
134	2	861078-02	CLAMP LH	
136	4	942375-00	FOOT	
138	2	860083-15	NUT	
142	4	98197-08	WASHER	

COMBINATION SAW

DW743-----A

TYPE 1



143	4	942447-00	SCREW	
144	4	941756-00	KNOB	
145	1	860073-03	WASHER M8	
146	1	861088-02	SIDE LH	
148	4	861073-00	FOOT	
149	4	861076-00	LEG SA	
150	1	942041-00	SCREW	
151	2	861068-00	WASHER	
153	2	942522-00	SPRING	
154	1	942098-00	LOCKING DEVICE	
155	1	942185-00	SCREW	
156	1	949726-05	NUT	
157	2	942104-00	BRIDGE	
158	1	761035-00	WASHER	
159	2	860094-00	SCREW.TEMP	
160	3	861071-00	CATCH	
161	3	861070-00	LOCKING DEVICE	
162	1	861089-02	SIDE RH	
163	1	942365-00	PIN	
164	2	949876-08	WASHER	
165	2	860094-00	SCREW.TEMP	
166	2	861077-02	CLAMP RH	
167	1	868178-00	SWITCH SA	QS
168	1	868180-00	SWITCH	
169	1	868508-00	SWITCH COVER	
170	1	942320-03	GUIDE	
171	2	860073-07	WASHER M6	
172	1	942316-01	CLAMPING BAR	
173	1	860073-03	WASHER M8	
174	1	949743-03	SCREW	
175	3	861091-00	CABLE CLAMP	
176	2	941819-01	BRACKET	
177	1	860092-00	NUT	
178	2	860073-07	WASHER M6	
179	1	941578-01	FENCE	
180	1	942172-00	BASE	
181	1	941756-00	KNOB	
182	1	942151-00	RAIL	
183	2	860089-00	SCREW.TEMP	
185	1	860083-12	NUT M6	
187	1	944341-00	BRACKET	
188	1	860094-03	SCREW	
189	4	930076-00	SCREW	
191	1	861346-00	FENCE	
192	1	941614-00	FOOT	
193	1	941518-00	SCREW	
196	1	860098-04	WRENCH 6 MM	
197	1	939072-00	SPANNER	
198	1	861063-00	TABLE LATCH	
200	1	000000-00	NO LONGER AVAILABLE	
201	1	942045-00	PIN	
202	1	861090-00	SCREW	
208	1	860092-03	NUT M5	
209	1	861037-00	BELT COVER	
210	1	868216-01	LOWER GUARD SA	
211	1	861084-00	LOCKING PIN SA	
212	1	942492-00	BLOCK	
213	2	860649-01	PIN	
214	1	945619-00	SPRING	
215	1	941602-00	WASHER	

COMBINATION SAW

DW743-----A

TYPE 1



216	1	860085-18	SCREW	
217	1	941606-00	SCREW	
234	1	760299-00	SCREW	
235	1	946213-02	GUARD SA	
236	2	946314-00	FASTENER	
243	1	860094-03	SCREW	
244	1	933652-00	WASHER	
245	1	860073-01	WASHER	
246	1	941633-00	WASHER	
247	1	860073-01	WASHER	
248	1	000000-00	NO LONGER AVAILABLE	
250	1	861099-00	LABEL	
257	4	949795-01	SCREW	
258	1	946620-00	WEDGE	
265	1	946315-00	SHOCK ABSORBER	
266	1	860610-01	PUSHROD	
288	1	942308-00	REDUCER	
331	1	944752-00	GUARD	XC
332	1	944761-00	ARM	XC
333	1	330036-08	PIN	XC
334	1	941534-00	PIN	XC
335	1	944753-00	ARM LINK	XC
336	1	944754-00	CLAMP	XC
337	1	944755-00	SPRING	XC
338	1	860301-13	SCREW	XC
339	1	860074-03	WASHER	XC
340	1	941756-00	KNOB	XC
341	1	860085-19	SCREW	XC
342	1	720959-00	WASHER	XC
343	1	860092-00	NUT	XC
344	1	860089-25	SCREW	XC
345	1	861841-01	LEVER	XC
346	1	942307-00	SHAFT	XC
347	1	942309-00	BUSH	XC
348	1	944757-00	PIN	XC
349	1	944758-00	COVER	XC
350	1	942846-00	HOLDER	XC
351	1	860610-01	PUSHROD	XC