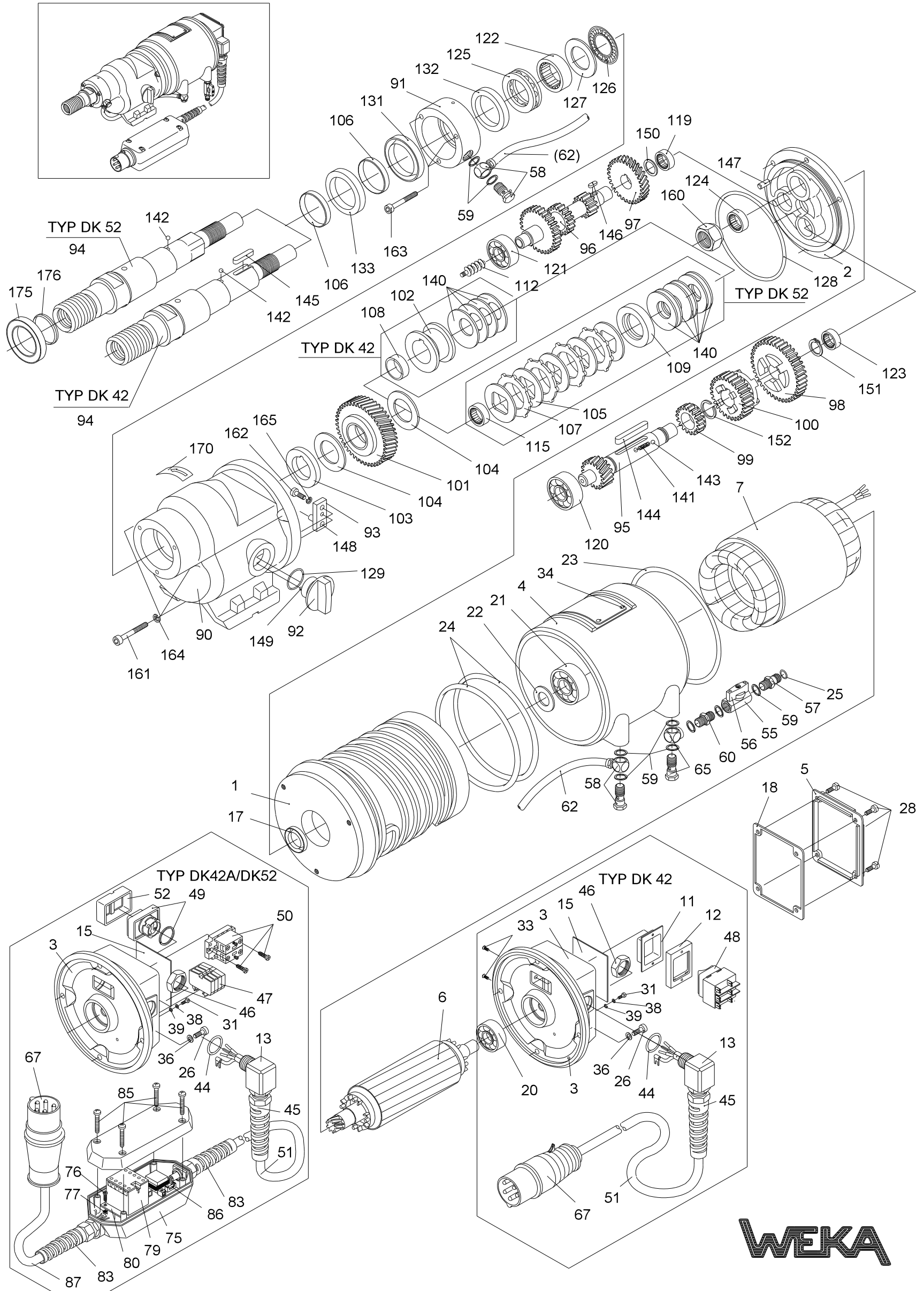


DIAMANT-KERNBOHRMASCHINE TYP DK 42 (A),(L,S), DK 52



WEKA

Spare Parts Price List Diamond-Core Drill Type DK 42 (L,S) / DK 42 A (L,S) - Motor EPE-DK4 211206

Page 1/3

FIG	NO	DESCRIPTION	STANDARD	PART-NO
1	1	Motor case		DK40101
2	1	Intermediate Flange		DK40102
3	1	Motor Top Hood	DK42	DK40103
	1	Motor Top Hood	DK42A	DK40103A
4	1	Case Sleeve		DK40104
5	1	Terminal Case Cover		DK20106
6	1	Rotor with Bearings		DK40108
7	1	Stator 400V	DK42	DK40109
	1	Stator.400V	DK42A	DK40109A
	1	Stator 230V	DK42A	DK40109/23
	1	Stator 230V/60Hz	DK42A-USA	DK40109A/236
	1	Stator 460V/60Hz	DK42-USA	DK40109/466
	1	Stator 460V/60Hz	DK42A-USA	DK40109A/466
11	1	Switch Guard Cap	DK42	DK40130
12	1	Switch Clamping Frame	DK42	DK40135
13	1	Cord Angle with O-Ring		DK40140-1
15	1	Terminal Case Insulation		DK40120
16	1	Carrying Handle		DK30105
17	1	Rotary Shaft Seal	20x32x7	5020327
18	1	Terminal Case Sealing		DK40122
20	1	Ball Bearing	6202 ZZ	6062022
21	1	Ball Bearing	6004 ZZ	6060042
22	1	Compensation Washer		2641301
23	1	O-Ring	RDR 135x2	4513502
24	2	O-Ring	RDR 127x4	4512704
25	1	O-Ring	RDR 11x2,5	4511025
26	4	Hex. Soc. Head Screw	M6x20	106020
27	2	Hex. Soc. Head Screw	M6x35	106035
28	4	Fill. Head Screw	M4x12	204012
31	1	Slot. Pan Head Screw	M4x6	304006
33	2	Counters. Head Screw	3,9x16 DK42	539016
34	4	Round Head Groov. Pin	2,3x4	2223004
36	4	Sealing Washer	6	1806001
38	1	Curved Spring Washer	A4	1804137
39	1	Medium Washer	4,3	1804433
44	1	O-Ring	18x2	4518002
45	1	Cord Gland 400 V	M20x1,5	8804020
	1	Cord Gland 230 V	M20x1,5	8804020
46	1	Hexagon Nut	M20x1,5	8806020
47	1	Terminal	DK42A	8002503
48	1	Motor Switch 400 V	DK42	8039009
	1	Motor Switch 460 V	DK42	8039007
49	1	Double Press Key	DK42A	8039204
50	1	Switch Element	DK42A	8039206
51	1	Cord AWG 16/4	DK42	8740154
	1	Cord AWG 18/7 400-480V	DK42A	8740107
	1	Cord AWG 16/7 230V	DK42A	8740157
52	1	Key Diaphragm	DK42A	8039214
55	1	Ball Valve		7014001

56	1	Grip for Ball Valve		7014005
57	1	Quick Connect Nipple		DK20225
58	2	Angle Screwing		7015005
59	7	Sealing Ring	G 1/4"	7014003
60	1	Double Nipple	G 1/4"	7014002
62	1	Flexible Hose		7068325
65	1	Angle Screwing	G 1/4"	7015010
67	1	Mains Plug	CEE 16A6h5P	8016005

Spare Parts Price List Diamond Core Drill Type DK 42 (L,S) / DK 42 A (L,S) - Gear

Page 2/3

FIG	NO	DESCRIPTION	STANDARD	PART-NO.
90	1	Gear Box		DK20201
91	1	Water Supply Bush		DK20202
92	1	Gear Change Grip		DK20203
93	1	Gear Change Lever		DK20205
94	1	Drilling Spindle		DK20206
95	1	Gear Change Shaft		DK20207
	1	Gear Change Shaft	Typ L	DK20207L
	1	Gear Change Shaft	Typ S	DK20207S
96	1	Pinion Shaft		DK20208
97	1	Spur Wheel		DK42209
98	1	Gear Wheel 1		DK20212
99	1	Gear Wheel 3		DK20213
100	1	Slide Gear Wheel		DK20214
101	1	Spindle Wheel		DK40215
	1	Spindle Wheel	Typ L	DK40215L
	1	Spindle Wheel	Typ S	DK40215S
102	1	Pressure Shell		DK20216
103	1	Supporting Disk		DK40217
104	2	Brake Disk		DK20218
106	2	Protective Sleeve		DK20210
108	1	Bearing Socket		DK40220
119	1	Needle Bearing		6349000
120	1	Ball Bearing	6302	6063020
121	1	Ball Bearing	6201	6062010
122	1	Needle Bearing		6330200
123	1	Needle Bush		6314120
124	1	Needle Bush		6320160
125	1	Thrust Ball Bearing		6551106
126	1	Thrust Needle Cage		6530470
127	1	Thrust Bearing Washer		6530471
128	1	O-Ring	RDR102x3	5510203
129	1	O-Ring	RDR20x3	5520003
131	1	Rotary Shaft Seal	40x52x7	5040527
132	1	Rotary Shaft Seal	38x50x7	5038507
133	1	Rotary Shaft Seal	40x52x7S	5040521
140	4	Disk Spring		4045224
141	1	Pressure Spring		4305235
142	1	Ball	5	2205000
143	2	Ball	4	2204000
144	1	Parallel Key	A6x6x45	3006045

145	1	Parallel Key	A6x6x30	3006030
146	1	Parallel Key	A4x4x10	3004010
147	1	Parallel Pin	6m6x10	2506010
148	1	Parallel Pin	5m6x15	2505015
149	1	Parallel Pin	3m6x16	2503016
150	1	Shim Ring	PS14x20x1	1914201
151	1	Retaining Ring	16x1	3516001
152	1	Retaining Ring	SW20	3620000
160	1	Hexagon Nut	M22x1,5	1022015
161	3	Hex. Soc. Head Screw	M6x35	106035
162	1	Hex. Soc. Head Screw	M5x12	105012
163	3	Hex. Soc. Head Screw	M5x45	105045
164	3	Locking Washer	SM6	1806000
165	1	Locking Washer	SM5	1805000
170	1	Adhesive Rotation Arrow		9530120
	1	Gear Oil	450 ml	9045001

Spare Parts Price List Diamond Core Drill Type DK 42 A (LS) - Cable case

Page 3/3

FIG	NO	DESCRIPTION	STANDARD	PART-NO.
75	1	Cable case compl. with Fig.83, 85 without Fig. 79, 80		DK50150
76	2	Fill. Head Screw	M4x12	204012
77	2	Hexagon Nut	M4	1004000
79	1	Contactoer		8039230
80	1	Print Plate without Contactoer	400V/460V	DK40520
		Print Plate without Contactoer	230V	DK40520/23
83	2	Cord Gland	400V/230V	8804020
	1	Cord Gland	230V	8804020
85	4	Tapping Screw	4,8x32	548032
86	1	Fuse	32 mA mT	8052020
87	1	Cord	4G1,5x0,5	8705154

Please specify in case of spare part orders:

Machine No., Quantity, Description, Part No. and by electrical parts the voltage.

WEKA Elektrowerkzeuge Auf der Höhe 20 D 75387 Neubulach - Altbulach / Germany

Telephone: +49 7053 96816-0 Telefax: +49 7053 3138

Internet: <http://www.weka-elektrowerkzeuge.de/> E-mail: weka@weka-elektrowerkzeuge.de

Subject to change without notice