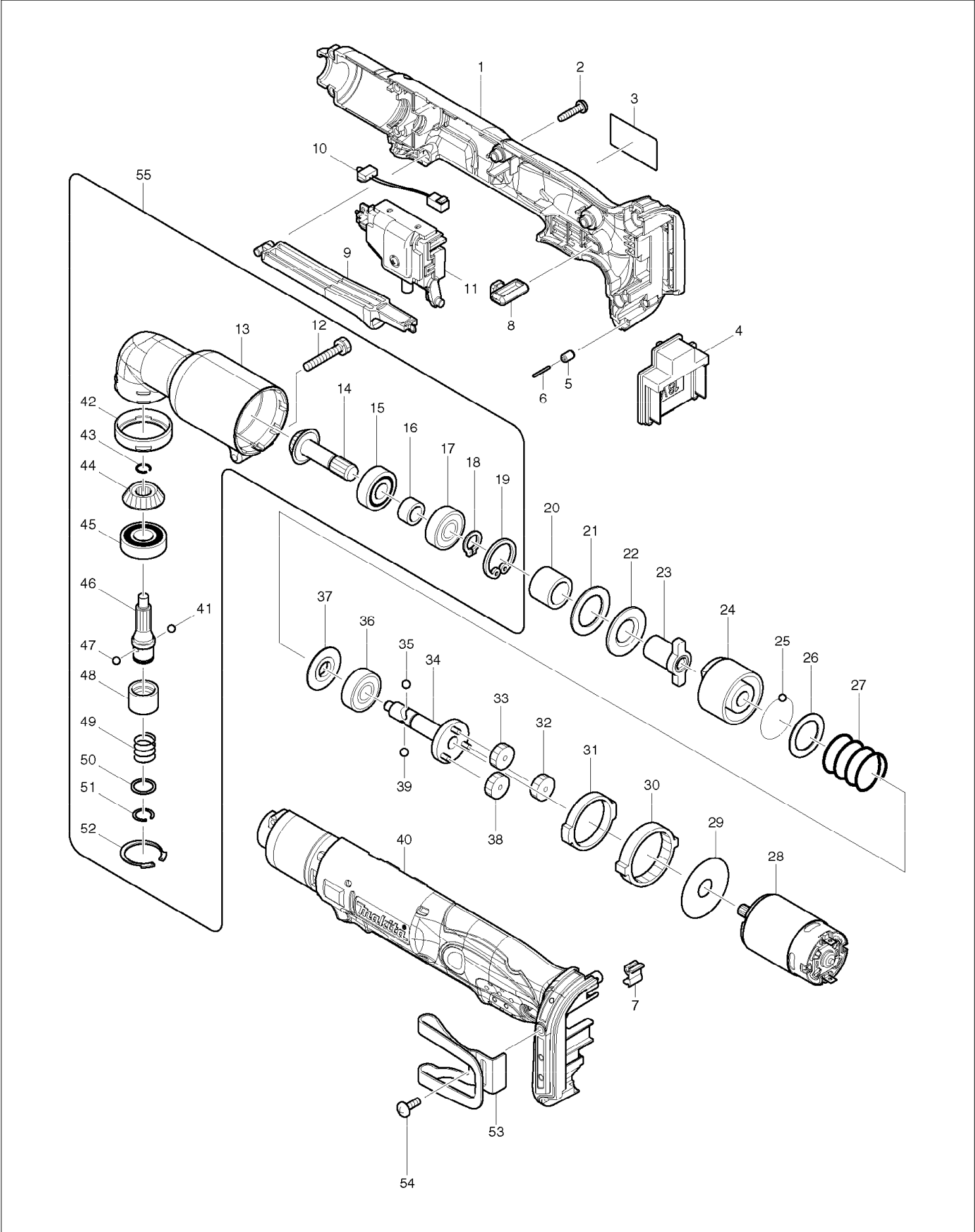


SERVICE DRAWING

MODEL NO. BTL061



SPARE PARTS LIST

PAGE 1

MODEL NO. BTL061

| ITEM | PART NO. | DESCRIPTION | QTY | NOTE |
|------|-----------|---------------------------|-----|------|
| 001 | 188397-8 | HOUSING SET | 1 | |
| 002 | 265995-6 | TAPPING SCREW 4X18 | 8 | |
| 003 | 864078-5 | BTL061 NAME PLATE | 1 | |
| 004 | 643812-4 | TERMINAL | 1 | |
| 005 | 263036-2 | RUBBER PIN 5 | 1 | |
| 006 | 268184-2 | PIN 1.5 | 1 | |
| 007 | 424026-2 | CUSHION | 1 | |
| 008 | 450126-2 | FR CHANGE LEVER | 1 | |
| 009 | 450125-4 | SWITCH LEVER | 1 | |
| 010 | 631778-0 | LED CIRCUIT | 1 | |
| 011 | 650594-1 | SWITCH C3HY-1A-PLM | 1 | |
| 012 | 265409-5 | + HEX. BOLT M5X30 | 1 | |
| 013 | 152461-1 | ANGLE HEAD COMPLETE | 1 | |
| 014 | 226720-0 | ZEROL BEVEL GEAR 13 | 1 | |
| 015 | 211064-1 | BALL BEARING 6000 | 1 | |
| 016 | 257660-1 | SLEEVE 10 | 1 | |
| 017 | 211061-7 | BALL BEARING 6000LLB | 1 | |
| 018 | 961006-2 | RETAINING RING S-10 | 1 | |
| 019 | 962105-3 | RETAINING RING R-26 | 1 | |
| 020 | 257662-7 | SLEEVE 15 | 1 | |
| 021 | 261095-0 | RUBBER WASHER 21 | 1 | |
| 022 | 267120-5 | FLAT WASHER 15 | 1 | |
| 023 | 322689-7 | ANVIL | 1 | |
| 024 | 322688-9 | HAMMER | 1 | |
| 025 | 216001-0 | STEEL BALL 3.5 | 22 | |
| 026 | 267121-3 | FLAT WASHER 20 | 1 | |
| 027 | 233107-9 | COMPRESSION SPRING 22 | 1 | |
| 028 | 629846-1 | DC MOTOR | 1 | |
| 029 | 267053-4 | FLAT WASHER 12 | 1 | |
| 030 | 226280-2 | INTERNAL GEAR 69 | 1 | |
| 031 | 257187-1 | RING 32 | 1 | |
| 032 | 226279-7 | SPUR GEAR 29 | 1 | |
| 033 | 226279-7 | SPUR GEAR 29 | 1 | |
| 034 | 154416-2 | SPINDLE COMPLETE | 1 | |
| 035 | 216002-8 | STEEL BALL 4.8 | 1 | |
| 036 | 211064-1 | BALL BEARING 6000 | 1 | |
| 037 | 322719-4 | WASHER 10 | 1 | |
| 038 | 226279-7 | SPUR GEAR 29 | 1 | |
| 039 | 216002-8 | STEEL BALL 4.8 | 1 | |
| 040 | 188397-8 | HOUSING SET | 1 | |
| 041 | 216001-0 | STEEL BALL 3.5 | 1 | |
| 042 | 424044-0 | RUBBER RING 32 | 1 | |
| 043 | 231990-8 | RING SPRING 9 | 1 | |
| 044 | 226721-8 | ZEROL BEVEL GEAR 13 | 1 | |
| 045 | 211131-2 | BALL BEARING 6001DDW | 1 | |
| 046 | 323920-4 | SPINDLE M | 1 | |
| 047 | 216001-0 | STEEL BALL 3.5 | 1 | |
| 048 | 322718-6 | SLEEVE | 1 | |
| 049 | 233005-7 | COMPRESSION SPRING 13 | 1 | |
| 050 | 267085-1 | FLAT WASHER 12 | 1 | |
| 051 | 231951-8 | RING SPRING 11 | 1 | |
| 052 | 962116-8 | RETAINING RING R-28 | 1 | |
| 053 | 324705-1 | HOOK | 1 | |
| 054 | 251314-2 | + SCREW M4X12 | 1 | |
| A01 | ***DC18RA | DC18RA FAST CHARGER | 1 | |
| A02 | 194204-5 | BATTERY BL1830 SET | 2 | |
| A03 | 450128-8 | BATTERY COVER | 1 | |
| A04 | 824816-7 | PLASTIC CARRYING CASE | 1 | |
| A05 | 805903-1 | BTL061RFE MODEL NO. LABEL | 1 | |