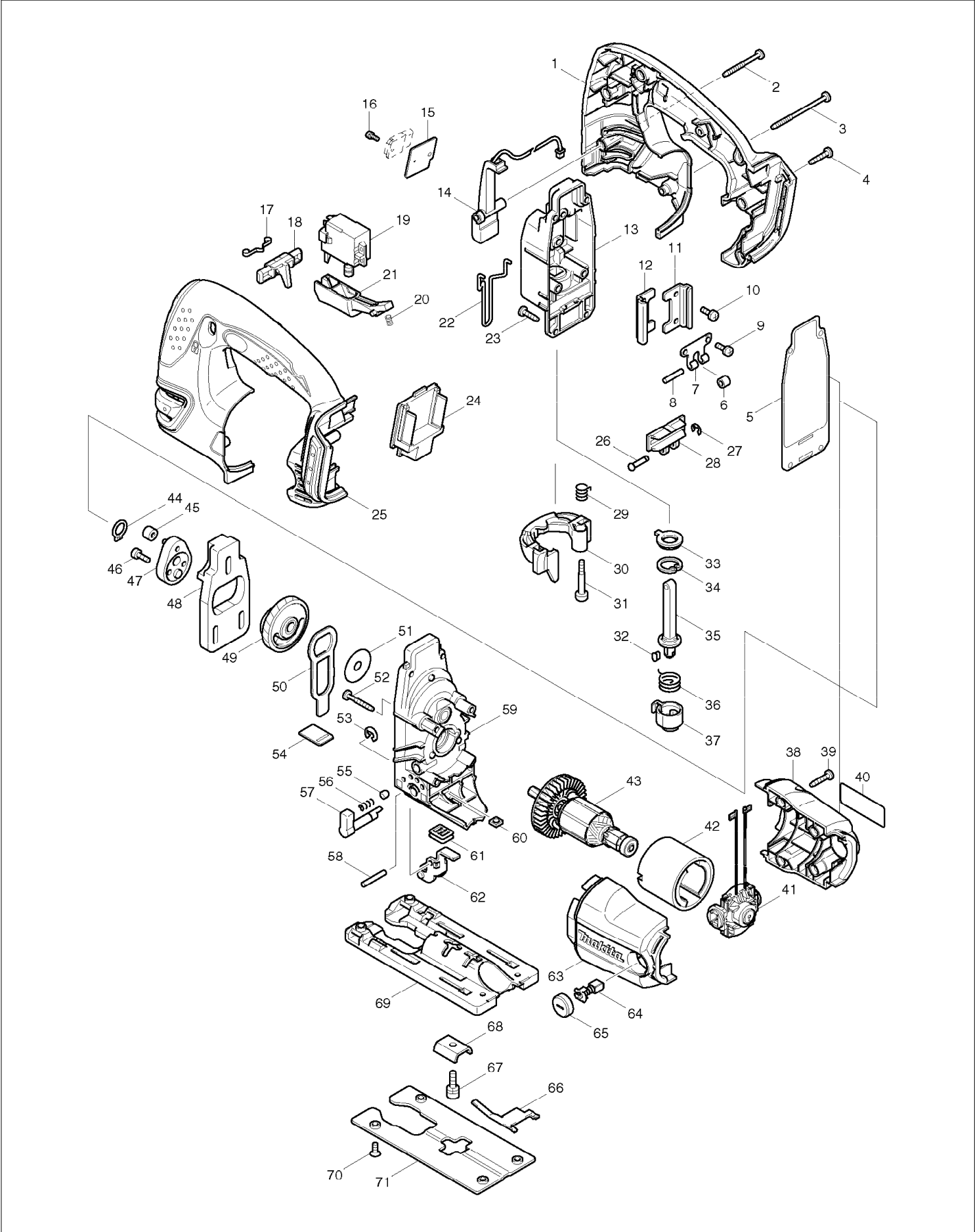


SERVICE DRAWING

MODEL NO. BJV180



SPARE PARTS LIST

MODEL NO. BJV180

ITEM	PART NO.	DESCRIPTION	QTY	NOTE
001	188207-9	HANDLE SET	1	
002	266048-4	TAPPING SCREW 4X40	1	
003	266091-3	TAPPING SCREW 4X50	1	
004	265995-6	TAPPING SCREW 4X18	5	
005	442138-9	PACKING	1	
006	214031-5	PLANE BEARING 4	1	
007	232207-2	LEAF SPRING	1	
008	256117-9	PIN 4	1	
009	911111-5	PAN HEAD SCREW M4X10	2	
010	911111-5	PAN HEAD SCREW M4X10	2	
011	345240-6	LINEAR GUIDE	1	
012	345240-6	LINEAR GUIDE	1	
013	153338-3	GEAR HOUSING COVER COMPLETE	1	
014	631744-7	LIGHT CIRCUIT	1	
015	689070-8	HEAT SINK	1	
016	911006-2	PAN HEAD SCREW M3X8	1	
017	232152-1	LEAF SPRING	1	
018	419613-0	LOCK OFF BUTTON	1	
019	650584-4	SWITCH C3LA-2A-PLSR	1	
020	233118-4	COMPRESSION SPRING 4	1	
021	419754-2	SWITCH LEVER	1	
022	324233-6	SAFETY WIRE	1	
023	266034-5	TAPPING SCREW CT 4X16	4	
024	643812-4	TERMINAL	1	
025	188207-9	HANDLE SET	1	
026	268090-1	PIN 4	1	
027	961017-7	STOP RING E-3	1	
028	310134-4	SLIDER	1	
029	231659-4	TORSION SPRING 6	1	
030	419820-5	TOOL OPENER	1	
031	265026-1	+ PAN HEAD SCREW M4	1	
032	310135-2	PUSH PIN	1	
033	421817-2	DUST COVER	1	
034	962068-3	RETAINING RING R-18	1	
035	165326-8	ROD	1	
036	231660-9	TORSION SPRING 15	1	
037	310136-0	BLADE HOLDER	1	
038	188208-7	MOTOR HOUSING SET	1	
039	265995-6	TAPPING SCREW 4X18	4	
040	862966-0	BJV180 NAME PLATE	1	
041	638504-8	ENDBELL COMPLETE	1	
042	638373-7	YOKE UNIT	1	
043	619206-5	ARMATURE	1	
044	961004-6	RETAINING RING S-8	1	
045	212014-9	NEEDLE BEARING 407	1	
046	265353-6	HEX. SOCKET HEAD BOLT M4X12	2	
047	153336-7	CRANK COMPLETE	1	
048	313108-4	BALANCE PLATE	1	
049	158168-7	GEAR COMPLETE	1	
050	345235-9	PUSH PLATE	1	
051	253877-4	FLAT WASHER 8	1	
052	266050-7	TAPPING SCREW 4X30	4	
053	961018-5	STOP RING E-5	1	
054	417839-8	SEAL PLATE	1	
055	286032-3	CAP 5	1	
056	233139-6	COMPRESSION SPRING 3	1	
057	272244-4	LEVER 17	1	
058	268063-4	PIN 4	1	

SPARE PARTS LIST

MODEL NO. BJV180

ITEM	PART NO.	DESCRIPTION	QTY	NOTE
059	158169-5	GEAR HOUSING COMPLETE	1	
060	252171-1	SQUARE NUT M5-8	1	
061	421816-4	DUST SEAL	1	
062	153334-1	RETAINER COMPLETE	1	
063	188208-7	MOTOR HOUSING SET	1	
064	191971-3	CARBON BRUSH CB-430	1	
065	643807-7	BRUSH HOLDER CAP	2	
066	232208-0	LEAF SPRING	1	
067	922226-3	HEX. SOCKET HEAD BOLT M5X18	1	
068	345237-5	CRANK PLATE	1	
069	317565-8	BASE	1	
070	912107-9	COUNTERSUNK HEAD SCREW M4X8	4	
071	345238-3	BASE PLATE	1	
A01	415524-7	ANTI-SPLINTERING DEVICE	1	
A02	417852-6	COVER PLATE	1	
A03	417853-4	DUST NOZZLE	1	
A04	*****	*****	***	*****
A05	*****	*****	***	*****
A06	*****	*****	***	*****
A07	783202-0	HEX. WRENCH 4	1	
A08	*****	*****	***	*****
A09	*****	*****	***	*****
A10	*****	*****	***	*****
A11	*****	*****	***	*****
A12	450128-8	BATTERY COVER	1	