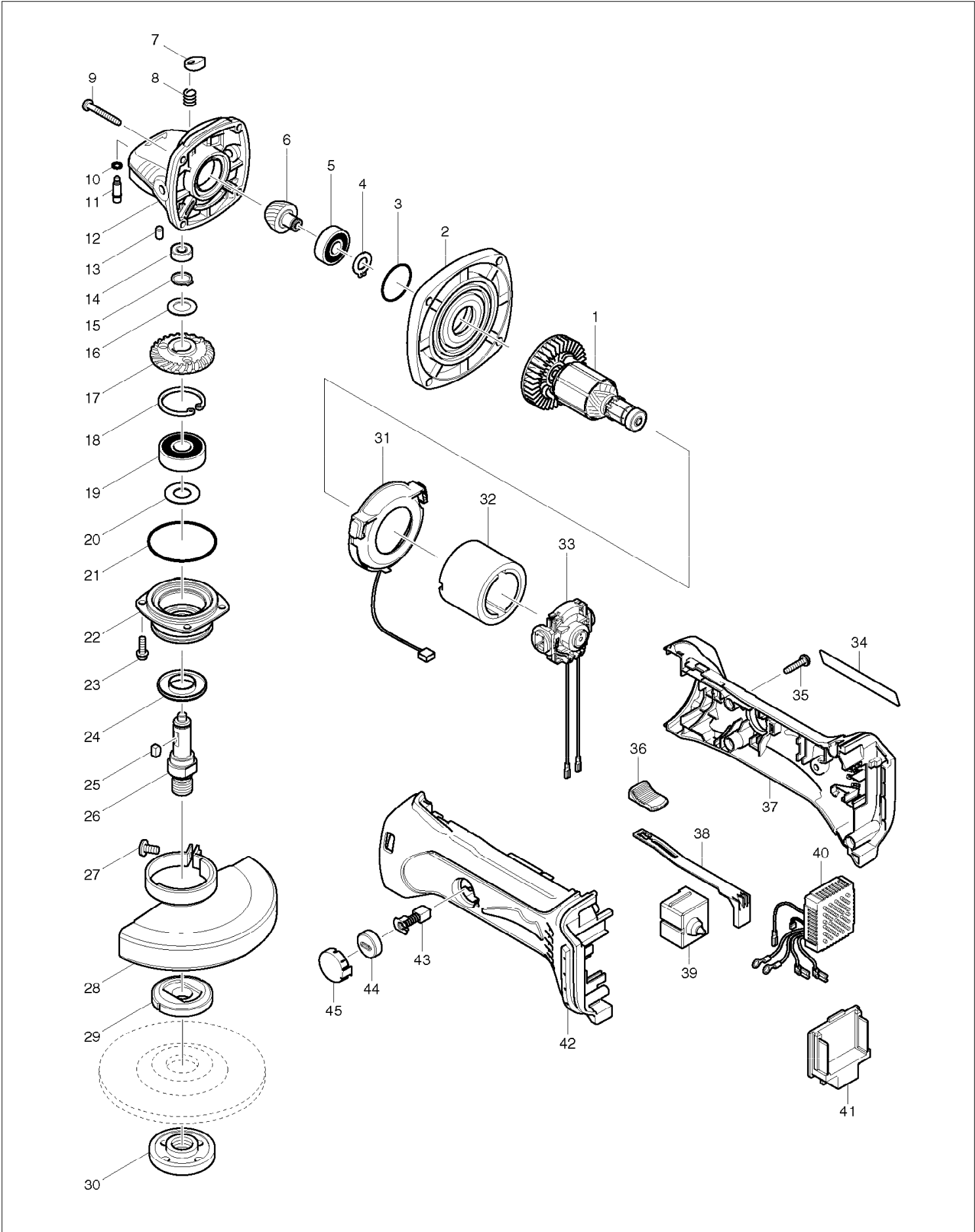


SERVICE DRAWING

MODEL NO. BGA452



SPARE PARTS LIST

MODEL NO. BGA452

ITEM	PART NO.	DESCRIPTION	QTY	NOTE
001	*****	*****	***	*****
002	317821-6	GEAR HOUSING COVER	1	
003	213445-5	O-RING 26	1	
004	961005-4	RETAINING RING S-9	1	
005	*****	*****	***	*****
006	227501-5	SPIRAL BEVEL GEAR 19	1	
007	417771-6	PIN CAP	1	
008	233072-2	COMPRESSION SPRING 8	1	
009	266050-7	TAPPING SCREW 4X30	4	
010	213960-9	O RING 5	1	
011	256496-5	SHOULDER PIN 4	1	
012	318051-2	GEAR HOUSING	1	
013	263002-9	RUBBER PIN 4	1	
014	210033-9	BALL BEARING 696ZZ	1	
015	961052-5	RETAINING RING S-12	1	
016	253744-3	FLAT WASHER 12	1	
017	227502-3	SPIRAL BEVEL GEAR 39	1	
018	962151-6	RETAINING RING R-32	1	
019	*****	*****	***	*****
020	267238-2	FLAT WASHER 12	1	
021	213622-9	O RING 45	1	
022	317819-3	BEARING BOX	1	
023	911121-2	PAN HEAD SCREW M4X14	4	
024	345464-4	LABYRINTH RING	1	
025	254011-9	WOODRUFF KEY 4	1	
026	*****	*****	***	*****
027	265103-9	PAN HEAD SCREW M5X14	1	
028	125267-0	WHEEL COVER ASS'Y INC. 27	1	
029	224298-7	INNER FLANGE 42	1	
030	224554-5	LOCK NUT 14-45	1	
031	631714-6	LED CIRCUIT	1	
032	638376-1	YOKE UNIT	1	
033	638448-2	ENDBELL COMPLETE	1	
034	*****	*****	***	*****
035	265995-6	TAPPING SCREW 4X18	5	
036	419566-3	SWITCH KNOB	1	
037	188106-5	HOUSING SET INC. 42	1	
038	419519-2	SWITCH LEVER	1	
039	650579-7	SWITCH 1246.3223	1	
040	631713-8	CONTROLLER	1	
041	643812-4	TERMINAL	1	
042	188106-5	HOUSING SET INC. 37	1	
043	191971-3	CARBON BRUSH CB-430	1	
044	643954-4	BRUSH HOLDER CAP	2	
045	419518-4	HOLDER CAP COVER	2	
A01	153489-2	GRIP 36 COMPLETE	1	
A02	*****	*****	***	*****
A04	*****	*****	***	*****
A05	824767-4	PLASTIC CARRYING CASE	1	
A08	450128-8	BATTERY COVER	1	
E02	805459-4	SAFETY INSTRUCTION LABEL	1	