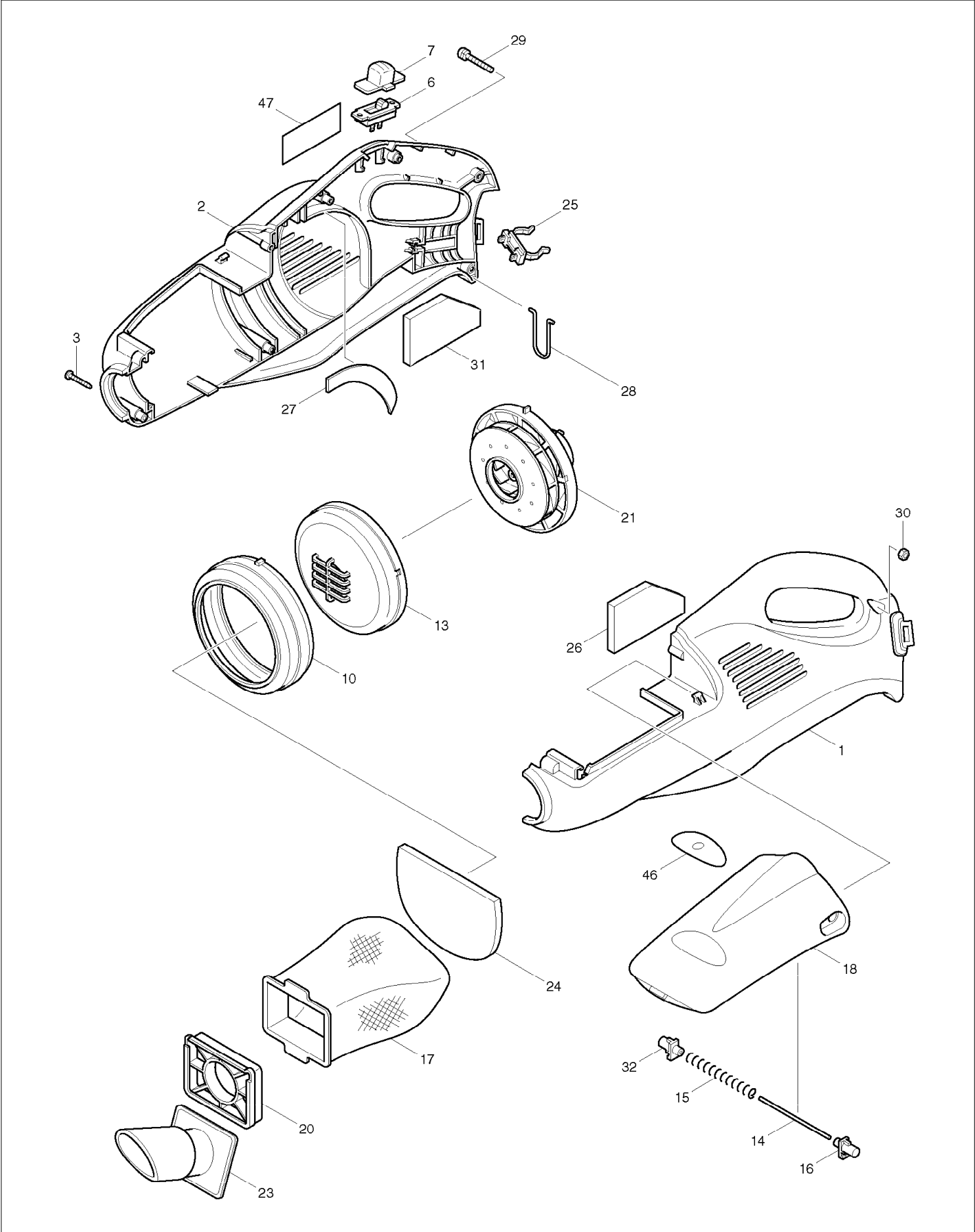


SERVICE DRAWING

MODEL NO. 4013D



SPARE PARTS LIST

MODEL NO. 4013D

ITEM	PART NO.	DESCRIPTION	QTY	NOTE
001	KW00000500	HOUSING SET INC. 2	1	
002	KW00000500	HOUSING SET INC. 1	1	
003	266127-8	+ TAPPING SCREW PT 3X20	7	
006	KW00000501	SWITCH	1	
007	KW00000502	SWITCH COVER COMPLETE AP-15310	1	
010	421554-8	RUBBER RING	1	
013	KW00000504	FAN COVER	1	
014	256839-1	ROD 2.5	1	
015	233161-3	COMPRESSION SPRING 6	1	
016	416032-1	HOOK	1	
017	166043-3	DUST BAG	1	
018	150624-3	FRONT COVER COMPLETE (IVORY)	1	
020	421553-0	PACKING	1	
021	KW00000505	12.0V DC MOTOR	1	
023	KW00000021	INLET	1	
024	423287-1	SPONGE SHEET 70-106	1	
025	643909-9	BATTERY HOLDER	1	
026	KW00000506	SPONGE SHEET 65X65	1	
027	KW00000507	SPONGE SHEET	1	
028	322867-9	HANGER	1	
029	911158-9	PAN HEAD SCREW M4X30	1	
030	931102-0	HEX. NUT M4	1	
031	KW00000506	SPONGE SHEET 65X65	1	
032	416032-1	HOOK	1	
047	KW00000508	NAME PLATE	1	
A01	122520-5	NOZZLE ASS'Y (IVORY)	1	
A02	416042-8	PIPE (IVORY)	1	
A03	416041-0	SASH NOZZLE (IVORY)	1	
A04	192632-8	PAPER FILTER (5PCS/SET)	1	