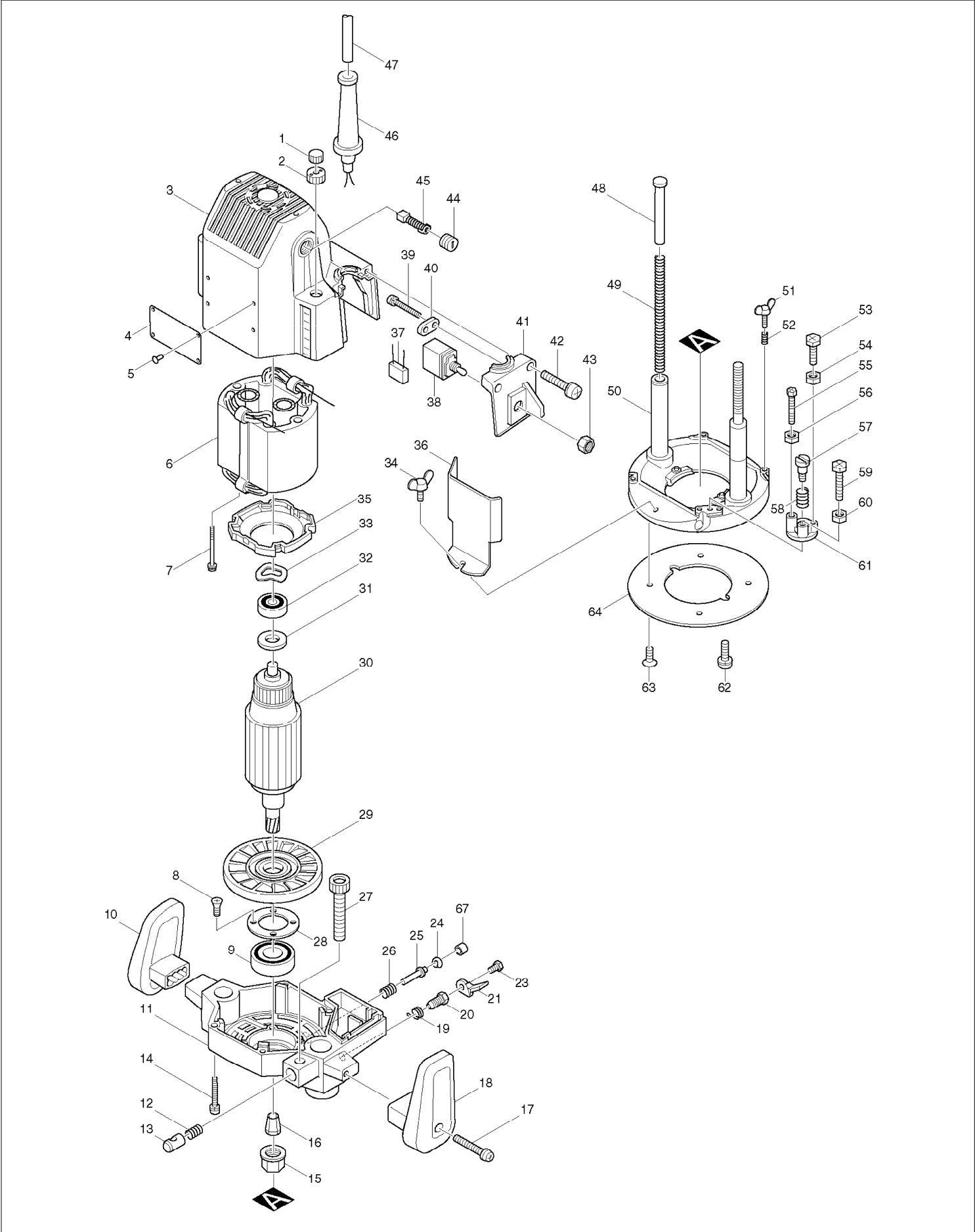


SERVICE DRAWING

MODEL NO. 3612BR



SPARE PARTS LIST

MODEL NO. 3612BR

ITEM	PART NO.	DESCRIPTION	QTY	NOTE
001	252625-8	NUT M10	1	
002	410129-8	NYLON NUT M10	1	
003	157109-0	MOTOR HOUSING	1	
004	*****	*****	***	*****
005	953106-2	RIVET 0-5	4	
007	911938-3	PAN HEAD SCREW M5X85	2	
008	*****	*****	***	*****
009	211326-7	BALL BEARING 2012DDW	1	
010	410127-2	KNOB L	1	
011	*****	*****	***	*****
012	231142-1	COMPRESSION SPRING 10	1	
013	323559-3	HALF NUT	1	
014	*****	*****	***	*****
015	763629-0	COLLET NUT	1	
016	763628-2	COLLET CONE 12MM	1	
017	911363-8	PAN HEAD SCREW M6X40	2	
018	410126-4	KNOB R	1	
019	231574-2	TORSION SPRING 15	1	
020	265813-8	SET BOLT M10	1	
021	341933-3	LOCK LEVER	1	
023	265269-5	HEX. BOLT M5X12	1	
024	962062-5	RETAINING RING R-12	1	
025	256606-4	PIN 6	1	
026	231037-8	COMPRESSION SPRING 7	1	
027	251861-3	SCREW M10X77	1	
028	285657-0	BEARING RETAINER 50	1	
029	241823-9	FAN 92	1	
030	514823-5	ARMATURE ASS'Y 220V INC. 29,31,32	1	220V
031	*****	*****	***	*****
032	211087-9	BALL BEARING 6200DDW	1	
033	253913-6	WAVE WASHER 20	1	
034	924206-5	WING BOLT M5X10	1	
035	410258-7	BAFFLE PLATE	1	
036	410128-0	CHIP DEFLECTOR	1	
037	645208-5	NOISE SUPPRESSOR	1	
038	*****	*****	***	*****
039	911133-5	PAN HEAD SCREW M4X18	2	
040	687001-1	STRAIN RELIEF	1	
041	410297-7	SWITCH COVER	1	
042	911143-2	PAN HEAD SCREW M4X22	2	
043	652102-4	HEX. NUT M12	1	
044	643650-4	BRUSH HOLDER CAP 6.5-13.5	2	
045	181044-0	CARBON BRUSH CB-153	1	
046	682516-3	CORD GUARD 9.3-85	1	
047	665865-3	POWER SUPPLY CORD 1.0-2-2.5	1	
048	314062-5	POLE	1	
049	231329-5	COMPRESSION SPRING 11	2	
050	151158-9	BASE COMPLETE	1	
051	924216-2	WING BOLT M5X15	2	
052	231240-1	COMPRESSION SPRING 7	2	
053	265333-2	+ HEX. BOLT M5X16	1	
054	931202-6	HEX. NUT M5	1	
055	265336-6	+ HEX. BOLT M5X40	1	
056	931202-6	HEX. NUT M5	1	
057	251423-7	- FLAT HEAD SCREW M6	1	
058	231231-2	COMPRESSION SPRING 12	1	
059	265335-8	+ HEX. BOLT M5X28	1	
060	931202-6	HEX. NUT M5	1	
061	134205-1	STOPPER ASS'Y INC. 53-56,59-61	1	

SPARE PARTS LIST

MODEL NO. 3612BR

ITEM	PART NO.	DESCRIPTION	QTY	NOTE
062	911206-4	PAN HEAD SCREW M5X10	2	
063	912112-6	COUNTERSUNK HEAD SCREW M4X10	4	
064	413024-1	BASE PLATE	1	
067	286235-9	CAP 11	1	
400	154233-0	HOLDER COMPLETE	1	
401	251830-4	SCREW M10X34	1	
407	342428-9	STRAIGHT GUIDE	1	
408	941151-9	FLAT WASHER 6	1	
409	942151-2	SPRING WASHER 6	1	
410	924311-8	WING BOLT M6X12	1	
413	781213-9	WRENCH 8	1	
414	781030-7	WRENCH 24	1	
415	344364-5	TEMPLET GUIDE 16	1	
416	*****	*****	***	*****
419	763801-4	COLLET SLEEVE FOR 6 MM BIT	1	
420	763804-8	COLLET SLEEVE FOR 8 MM BIT	1	
500	122256-6	GUIDE HOLDER ASS'Y INC. 400,401,408-410	1	
900	232103-4	LEAF SPRING	1	
901	911219-5	PAN HEAD SCREW M5X14	1	