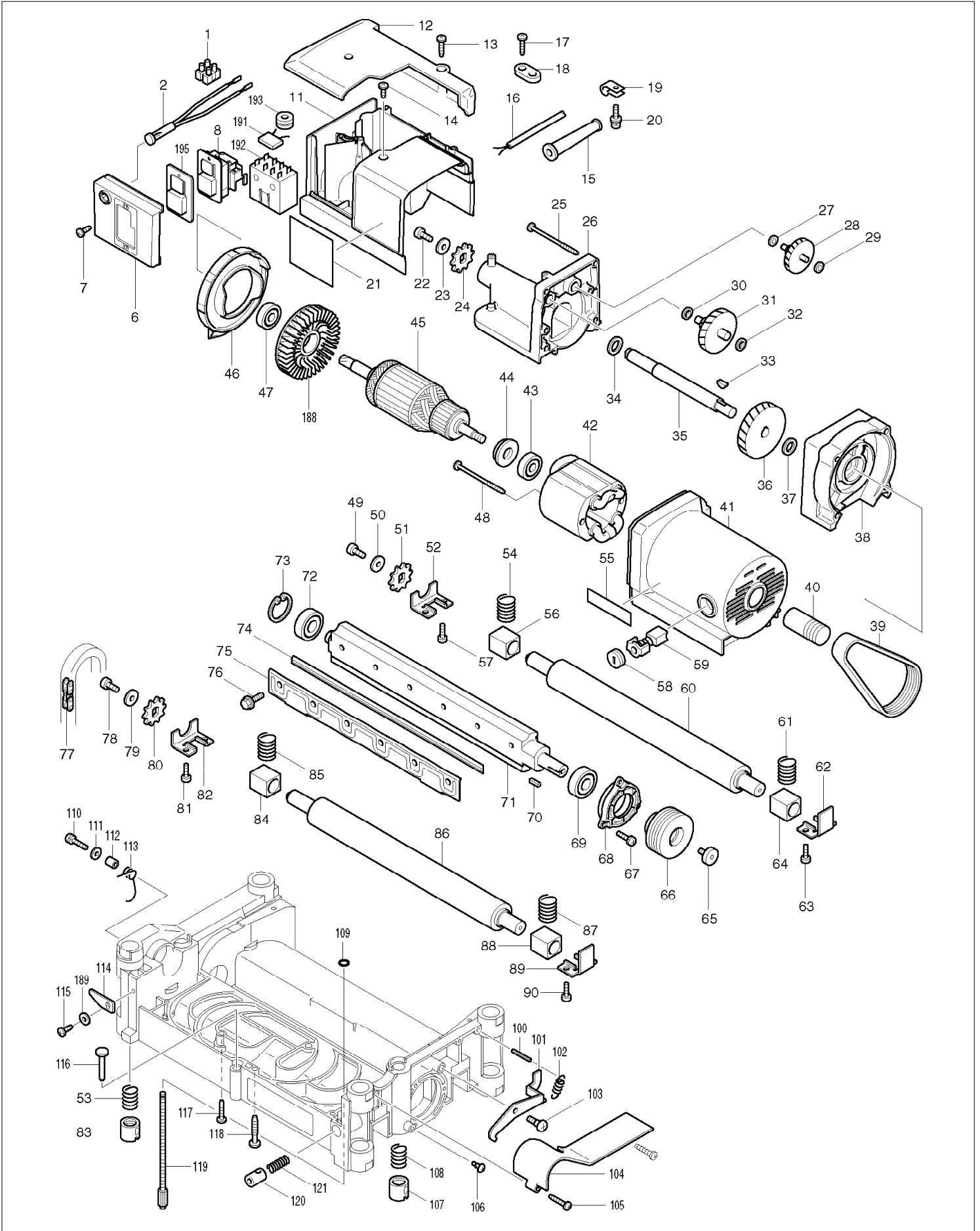


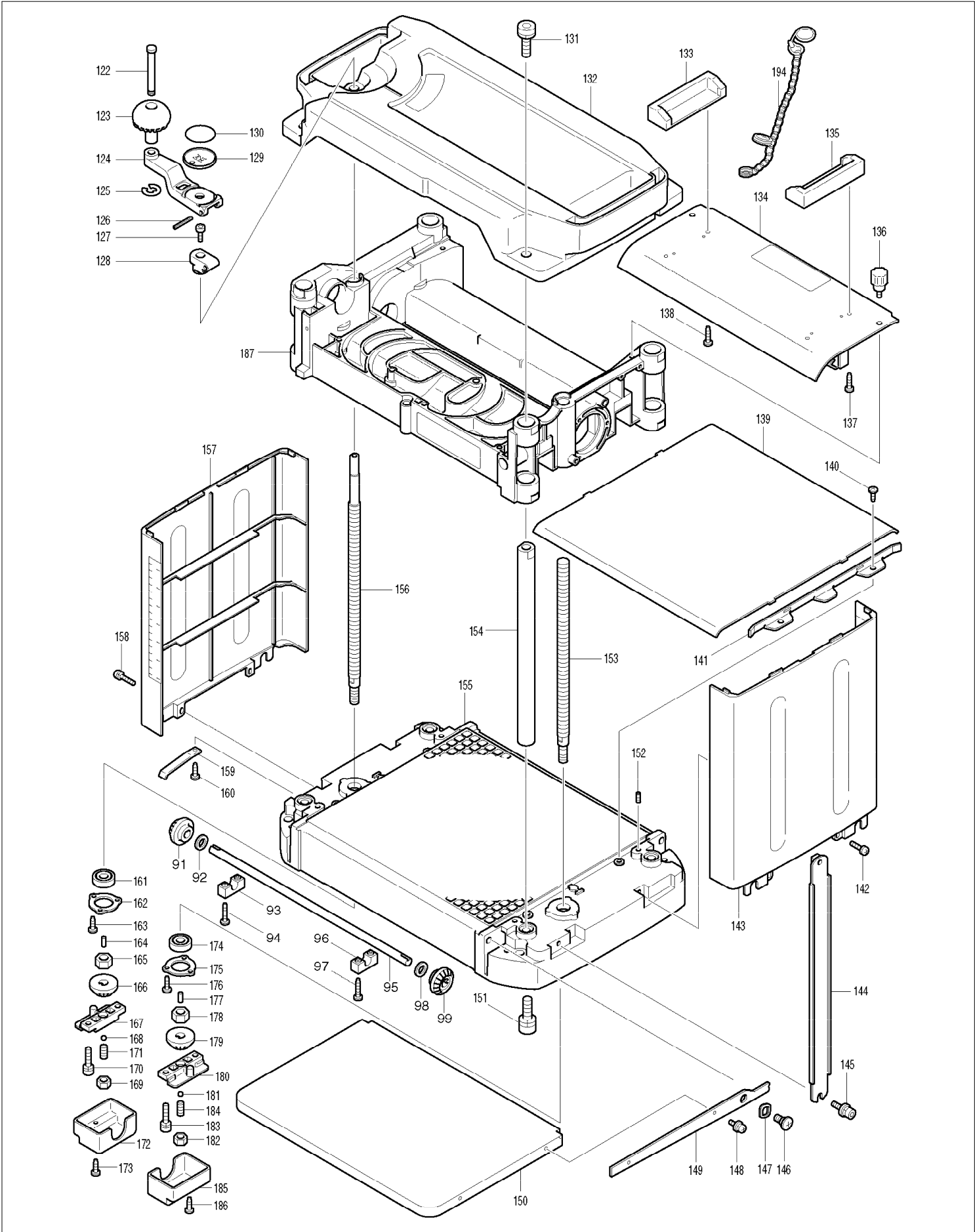
SERVICE DRAWING

MODEL NO. 2012NB



SERVICE DRAWING

MODEL NO. 2012NB



SPARE PARTS LIST

MODEL NO. 2012NB

| ITEM | PART NO. | DESCRIPTION | QTY | NOTE |
|------|----------|-----------------------------|-----|-------|
| 001 | 654561-8 | TERMINAL BLOCK | 1 | |
| 002 | 631371-0 | PILOT LAMP COMPLETE | 1 | |
| 006 | 418416-9 | SWITCH COVER | 1 | |
| 007 | 251991-0 | + TAPPING SCREW M4X12 | 2 | |
| 008 | 632519-7 | SWITCH UNIT | 1 | |
| 011 | 417041-3 | SWITCH BOX | 1 | |
| 012 | 417038-2 | SWITCH BOX COVER | 1 | |
| 013 | 265995-6 | TAPPING SCREW 4X18 | 2 | |
| 014 | 266026-4 | TAPPING SCREW BIND CT 4X12 | 2 | |
| 015 | 682516-3 | CORD GUARD 9.3-85 | 1 | |
| 016 | 665865-3 | POWER SUPPLY CORD 1.0-2-2.5 | 1 | |
| 017 | 265995-6 | TAPPING SCREW 4X18 | 2 | |
| 018 | ***** | ***** | *** | ***** |
| 019 | 687042-7 | STRAIN RELIEF | 1 | |
| 020 | 911128-8 | PAN HEAD SCREW M4X16 | 1 | |
| 021 | 851968-1 | NAME PLATE 2012NB | 1 | |
| 022 | 922312-0 | HEX. SOCKET HEAD BOLT M6X12 | 1 | |
| 023 | 267080-1 | FLAT WASHER 6 | 1 | |
| 024 | 221525-3 | SPROCKET 10 | 1 | |
| 025 | 266059-9 | TAPPING SCREW 5X75 | 4 | |
| 026 | 151739-9 | GEAR HOUSING COVER COMPLETE | 1 | |
| 027 | 253715-0 | FLAT WASHER 6 | 1 | |
| 028 | 226134-3 | GEAR COMPLETE 8-50 | 1 | |
| 029 | 253715-0 | FLAT WASHER 6 | 1 | |
| 030 | 253215-0 | FLAT WASHER 8 | 1 | |
| 031 | 226135-1 | GEAR COMPLETE 8-46 | 1 | |
| 032 | 253215-0 | FLAT WASHER 8 | 1 | |
| 033 | 254001-2 | WOODRUFF KEY 4 | 1 | |
| 034 | 253760-5 | FLAT WASHER 14 | 1 | |
| 035 | 323923-8 | DRIVE SHAFT | 1 | |
| 036 | 226518-5 | HELICAL GEAR 47 | 1 | |
| 037 | 253744-3 | FLAT WASHER 12 | 1 | |
| 038 | 151738-1 | GEAR HOUSING COMPLETE | 1 | |
| 039 | 225083-1 | POLY V-BELT 8-341 | 1 | |
| 040 | 222155-3 | V-PULLEY 8-23.5L | 1 | |
| 041 | 151737-3 | MOTOR HOUSING COMPLETE | 1 | |
| 042 | 526104-5 | FIELD ASS'Y 230-240V | 1 | |
| 043 | 211087-9 | BALL BEARING 6200DDW | 1 | |
| 044 | 681623-9 | INSULATION WASHER | 1 | |
| 045 | 516813-4 | ARMATURE ASS'Y 220-240V | 1 | |
| | | INC. 43,44,47,188 | | |
| 046 | 417033-2 | BAFFLE PLATE | 1 | |
| 047 | 211087-9 | BALL BEARING 6200DDW | 1 | |
| 048 | 266059-9 | TAPPING SCREW 5X75 | 2 | |
| 049 | 922312-0 | HEX. SOCKET HEAD BOLT M6X12 | 1 | |
| 050 | 267080-1 | FLAT WASHER 6 | 1 | |
| 051 | 221525-3 | SPROCKET 10 | 1 | |
| 052 | 343844-8 | METAL COVER (B) | 1 | |
| 053 | 233016-2 | COMPRESSION SPRING 15 | 1 | |
| 054 | 231459-2 | COMPRESSION SPRING 13 | 1 | |
| 055 | 819064-1 | MAKITA MARK | 1 | |
| 056 | 214251-1 | PLANE BEARING 17 | 1 | |
| 057 | 922221-3 | HEX. SOCKET HEAD BOLT M5X16 | 2 | |
| 058 | 643650-4 | BRUSH HOLDER CAP 6.5-13.5 | 2 | |
| 059 | 181044-0 | CARBON BRUSH CB-153 | 1 | |
| 060 | 162216-6 | ROLLER 34-295 | 1 | |
| 061 | 233392-4 | COMPRESSION SPRING 13A | 1 | |
| 062 | 341685-6 | METAL COVER (A) | 1 | |
| 063 | 922221-3 | HEX. SOCKET HEAD BOLT M5X16 | 2 | |
| 064 | 214251-1 | PLANE BEARING 17 | 1 | |
| 065 | 265854-4 | HEX. SOCKET HEAD BOLT M6X12 | 1 | |

SPARE PARTS LIST

MODEL NO. 2012NB

| ITEM | PART NO. | DESCRIPTION | QTY | NOTE |
|------|----------|-----------------------------|-----|-------|
| 066 | 222154-5 | V-PULLEY 8-54 | 1 | |
| 067 | 911128-8 | PAN HEAD SCREW M4X16 | 3 | |
| 068 | 317259-5 | BEARING BOX | 1 | |
| 069 | 211206-7 | BALL BEARING 6202LLB | 1 | |
| 070 | 254204-8 | KEY 4 | 1 | |
| 071 | 323928-8 | DRUM | 1 | |
| 072 | 211206-7 | BALL BEARING 6202LLB | 1 | |
| 073 | 962153-2 | RETAINING RING R-35 | 1 | |
| 074 | 793346-8 | PLANER BLADE 306 | 1 | |
| 075 | 343682-8 | SET PLATE | 2 | |
| 076 | 251609-3 | HEX. FLANGE HEAD BOLT M6X17 | 12 | |
| 077 | 225520-5 | CHAIN 35-46 | 1 | |
| 078 | 922312-0 | HEX. SOCKET HEAD BOLT M6X12 | 1 | |
| 079 | 267080-1 | FLAT WASHER 6 | 1 | |
| 080 | 221525-3 | SPROCKET 10 | 1 | |
| 081 | 922221-3 | HEX. SOCKET HEAD BOLT M5X16 | 2 | |
| 082 | 343844-8 | METAL COVER (B) | 1 | |
| 083 | 252426-4 | NUT M14 | 1 | |
| 084 | 214251-1 | PLANE BEARING 17 | 1 | |
| 085 | 231459-2 | COMPRESSION SPRING 13 | 1 | |
| 086 | 162216-6 | ROLLER 34-295 | 1 | |
| 087 | 233392-4 | COMPRESSION SPRING 13A | 1 | |
| 088 | 214251-1 | PLANE BEARING 17 | 1 | |
| 089 | 341685-6 | METAL COVER (A) | 1 | |
| 090 | 922221-3 | HEX. SOCKET HEAD BOLT M5X16 | 2 | |
| 091 | 226786-0 | STRAIGHT BEVEL GEAR 15 | 1 | |
| 092 | 253828-7 | FLAT WASHER 10 | 1 | |
| 093 | 417034-0 | SHAFT RETAINER | 1 | |
| 094 | 266040-0 | TAPPING SCREW CT 4X25 | 2 | |
| 095 | 323926-2 | SHAFT 10 | 1 | |
| 096 | 417034-0 | SHAFT RETAINER | 1 | |
| 097 | 266040-0 | TAPPING SCREW CT 4X25 | 2 | |
| 098 | 253828-7 | FLAT WASHER 10 | 1 | |
| 099 | 226786-0 | STRAIGHT BEVEL GEAR 15 | 1 | |
| 100 | 951122-8 | SPRING PIN 4-28 | 1 | |
| 101 | 344815-8 | LOCK PLATE | 1 | |
| 102 | 231793-0 | TENSION SPRING 5 | 1 | |
| 103 | 251283-7 | + PAN HEAD SCREW M5 | 1 | |
| 104 | 417035-8 | BELT COVER | 1 | |
| 105 | 266040-0 | TAPPING SCREW CT 4X25 | 2 | |
| 106 | 251322-3 | + PAN HEAD SCREW M5X12 | 2 | |
| 107 | 252427-2 | NUT M14L | 1 | |
| 108 | 233016-2 | COMPRESSION SPRING 15 | 1 | |
| 109 | 213009-5 | O RING 4 | 1 | |
| 110 | 911233-1 | PAN HEAD SCREW M5X20 | 1 | |
| 111 | 253194-2 | FLAT WASHER 5 | 1 | |
| 112 | 257600-9 | SLEEVE 6 | 1 | |
| 113 | 231588-1 | TORSION SPRING 9 | 1 | |
| 114 | 344068-9 | POINTER | 1 | |
| 115 | 266026-4 | TAPPING SCREW BIND CT 4X12 | 1 | |
| 116 | 322229-1 | GAUGE | 1 | |
| 117 | 266040-0 | TAPPING SCREW CT 4X25 | 2 | |
| 118 | 266173-1 | TAPPING SCREW 5X30 | 2 | |
| 119 | 265736-0 | SCREW M6X135 | 1 | |
| 120 | 323927-0 | HALF NUT | 1 | |
| 121 | 231226-5 | COMPRESSION SPRING 11 | 1 | |
| 122 | 256688-6 | PIN 8 | 1 | |
| 123 | 271296-2 | KNOB 45 | 1 | |
| 124 | ***** | ***** | *** | ***** |
| 125 | 961012-7 | STOP RING E-6 | 1 | |
| 126 | 951122-8 | SPRING PIN 4-28 | 1 | |

SPARE PARTS LIST

MODEL NO. 2012NB

| ITEM | PART NO. | DESCRIPTION | QTY | NOTE |
|------|----------|------------------------------|-----|-------|
| 127 | 266086-6 | HEX. SOCKET HEAD BOLT M5X16 | 1 | |
| 128 | ***** | ***** | *** | ***** |
| 129 | 417032-4 | GAUGE | 1 | |
| 130 | 816358-5 | SCALE LABEL | 1 | |
| 131 | 266240-2 | HEX. SOCKET HEAD BOLT M10X25 | 4 | |
| 132 | ***** | ***** | *** | ***** |
| 133 | 417036-6 | TOOL BOX HOLDER | 1 | |
| 134 | ***** | ***** | *** | ***** |
| 135 | 417036-6 | TOOL BOX HOLDER | 1 | |
| 136 | 265716-6 | SCREW M5X10 | 2 | |
| 137 | 265995-6 | TAPPING SCREW 4X18 | 2 | |
| 138 | 265995-6 | TAPPING SCREW 4X18 | 2 | |
| 139 | 344816-6 | TABLE PLATE | 1 | |
| 140 | 266026-4 | TAPPING SCREW BIND CT 4X12 | 4 | |
| 141 | 344819-0 | GUIDE PLATE | 2 | |
| 142 | 911128-8 | PAN HEAD SCREW M4X16 | 2 | |
| 143 | 417040-5 | SIDE COVER | 1 | |
| 144 | 344820-5 | SIDE BEAM | 2 | |
| 145 | 922323-5 | HEX.SOCKET HEAD BOLT M6X16 | 4 | |
| 146 | 251217-0 | + BINDING HEAD SCREW M8 | 4 | |
| 147 | 253932-2 | WAVE WASHER 10 | 4 | |
| 148 | 911108-4 | PAN HEAD SCREW M4X8 | 8 | |
| 149 | 344818-2 | ARM | 4 | |
| 150 | 344817-4 | SUB TABLE PLATE | 2 | |
| 151 | 266240-2 | HEX. SOCKET HEAD BOLT M10X25 | 4 | |
| 152 | 266213-5 | HEX. SOCKET HEAD SCREW M5X12 | 4 | |
| 153 | 323925-4 | SCREW L | 1 | |
| 154 | 331562-0 | COLUMN 20 | 4 | |
| 155 | ***** | ***** | *** | ***** |
| 156 | 323924-6 | SCREW R | 1 | |
| 157 | 151886-6 | SIDE COVER COMPLETE | 1 | |
| 158 | 911128-8 | PAN HEAD SCREW M4X16 | 2 | |
| 159 | 232195-3 | LEAF SPRING | 2 | |
| 160 | 266026-4 | TAPPING SCREW BIND CT 4X12 | 2 | |
| 161 | 211088-7 | BALL BEARING 6000DDW | 1 | |
| 162 | 285698-6 | BEARING RETAINER 33 | 1 | |
| 163 | 266026-4 | TAPPING SCREW BIND CT 4X12 | 3 | |
| 164 | 256226-4 | PIN 4 | 1 | |
| 165 | 252164-8 | HEX.NUT M10-17 | 1 | |
| 166 | 226791-7 | STRAIGHT BEVEL GEAR 15 | 1 | |
| 167 | 317260-0 | SUPPORTER | 1 | |
| 168 | 216011-7 | STEEL BALL 5.6 | 1 | |
| 169 | 931403-6 | HEX. NUT M8 | 1 | |
| 170 | 922231-0 | HEX. SOCKET HEAD BOLT M5X20 | 2 | |
| 171 | 265846-3 | HEX. SOCKET HEAD BOLT M8X16 | 1 | |
| 172 | 417030-8 | GEAR COVER | 1 | |
| 173 | 266026-4 | TAPPING SCREW BIND CT 4X12 | 1 | |
| 174 | 211088-7 | BALL BEARING 6000DDW | 1 | |
| 175 | 285698-6 | BEARING RETAINER 33 | 1 | |
| 176 | 266026-4 | TAPPING SCREW BIND CT 4X12 | 3 | |
| 177 | 256226-4 | PIN 4 | 1 | |
| 178 | 252164-8 | HEX.NUT M10-17 | 1 | |
| 179 | 226791-7 | STRAIGHT BEVEL GEAR 15 | 1 | |
| 180 | 317260-0 | SUPPORTER | 1 | |
| 181 | 216011-7 | STEEL BALL 5.6 | 1 | |
| 182 | 931403-6 | HEX. NUT M8 | 1 | |
| 183 | 922231-0 | HEX. SOCKET HEAD BOLT M5X20 | 2 | |
| 184 | 265846-3 | HEX. SOCKET HEAD BOLT M8X16 | 1 | |
| 185 | 417030-8 | GEAR COVER | 1 | |
| 186 | 266026-4 | TAPPING SCREW BIND CT 4X12 | 1 | |
| 187 | ***** | ***** | *** | ***** |

SPARE PARTS LIST

MODEL NO. 2012NB

| ITEM | PART NO. | DESCRIPTION | QTY | NOTE |
|------|----------|------------------|-----|-------|
| 188 | 240003-4 | FAN 80 | 1 | |
| 189 | 941051-3 | FLAT WASHER 4 | 1 | |
| 191 | 645200-1 | NOISE SUPPRESSOR | 1 | |
| 192 | ***** | ***** | *** | ***** |
| 193 | ***** | ***** | *** | ***** |
| 194 | 282017-7 | CHAIN | 1 | |
| 195 | 414301-4 | DUST COVER | 1 | |
| A01 | 762014-4 | MAGNETIC HOLDER | 2 | |
| A02 | 782203-5 | SOCKET WRENCH 9 | 1 | |
| A03 | 783208-8 | HEX. WRENCH 2.5 | 1 | |
| A04 | 824002-0 | PLASTIC CASE | 1 | |
| A05 | 122696-8 | HOOD ASS'Y | 1 | |
| A06 | ***** | ***** | *** | ***** |