

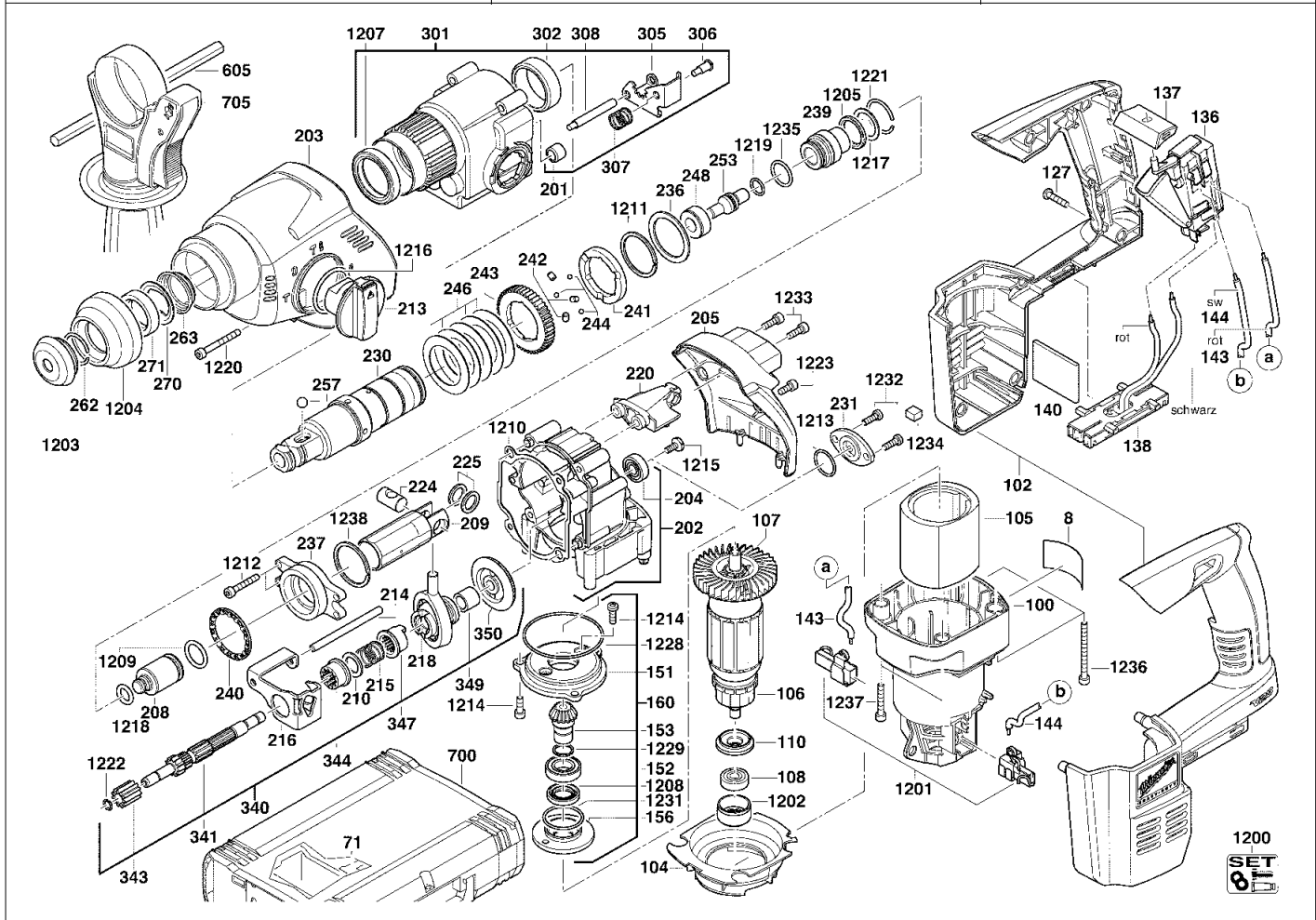
A & M Electric Tools

Screwdrivers

Ind Product No.	Type	Voltage	Country
a 4000400401	V18H	18V	IN2

Ind Product No.	Type	Voltage	Country

Milwaukee			
V 18 H			
Exp.view No.	Version	Date	Page
4926 4004 03	0003	06.09.06	3/3



Pos	Index	Quanti	Article No.	Designation
1217	a.....	1	4931392464	THRUST COLLAR
1218	a.....	1	4931623468	RADIAL SEAL RING
1219	a.....	1	4931624493	SEAL RING
1220	a.....	4	4931623521	SCREW
1221	a.....	1	4931623860	SPRING RING
1222	a.....	1	4931624260	SPRING RING
1223	a.....	2	4931621741	SCREW
1228	a.....	1	4931623198	O-RING
1229	a.....	1	4931622084	SPRING RING
1231	a.....	1	4931624351	SEAL RING
1232	a.....	2	4931621743	SCREW
1233	a.....	2	4931622315	SCREW
1234	a.....	1	4931375508	FELT
1235	a.....	1	4931624381	O-RING
1236	a.....	2	4931624409	SCREW
1237	a.....	2	4931623886	SCREW
1238	a.....	1	4931624383	SPRING RING

Pos	Index	Quanti	Article No.	Designation
1217	a.....	1	4931392464	THRUST COLLAR
1218	a.....	1	4931623468	RADIAL SEAL RING
1219	a.....	1	4931624493	SEAL RING
1220	a.....	4	4931623521	SCREW
1221	a.....	1	4931623860	SPRING RING
1222	a.....	1	4931624260	SPRING RING
1223	a.....	2	4931621741	SCREW
1228	a.....	1	4931623198	O-RING
1229	a.....	1	4931622084	SPRING RING
1231	a.....	1	4931624351	SEAL RING
1232	a.....	2	4931621743	SCREW
1233	a.....	2	4931622315	SCREW
1234	a.....	1	4931375508	FELT
1235	a.....	1	4931624381	O-RING
1236	a.....	2	4931624409	SCREW
1237	a.....	2	4931623886	SCREW
1238	a.....	1	4931624383	SPRING RING

Repairs/modification and testing of electric power tools are to be carried out by specialists. The safety regulations according to DIN/VDE/CEE/AFNOR and other regulations valid in the different countries are to be observed.