

# A & M Electric Tools

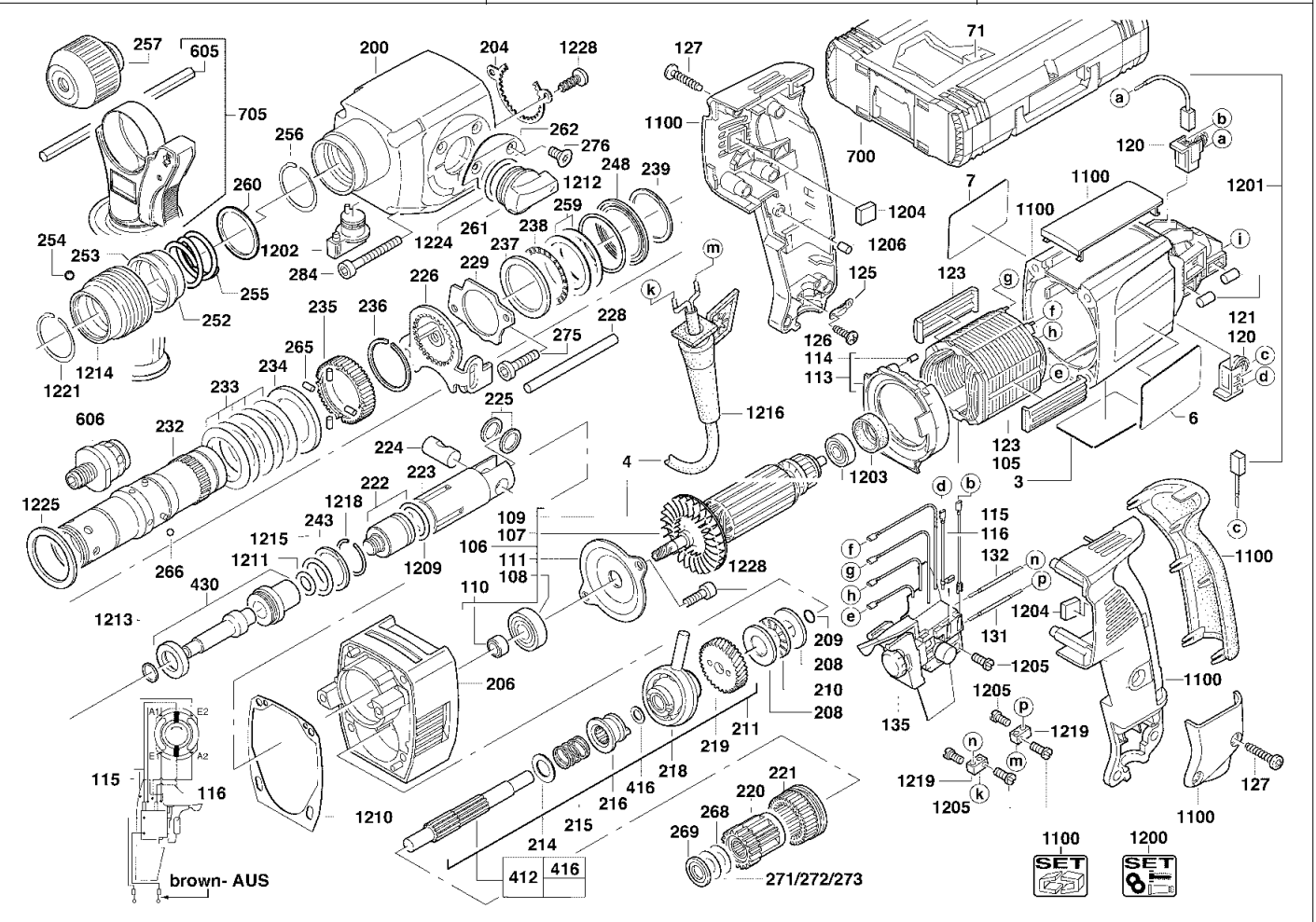
Ind	Product No.	Type	Voltage	Country
a	4000384940	PPH30X2E	220-240V	IN2
b	4000384947	PPH30X2E	110V	GB1
c	4000384945	PPH30X2E	240V	GB2

# Rotary Hammers

Milwaukee

## PPH 30 X 2 E

Exp.view No.      Version      Date      Page  
**4926 3849 41      0007 13.02.07 1/3**



Pos	Index	Quanti	Article No.	Designation	Pos	Index	Quanti	Article No.	Designation
0003	a.....	1	4931384943	RATING PLATE	0116	abc.....	1	4931623355	WIRE
0003	.b.....	1	4931384948	RATING PLATE	0120	abc.....	2	4931382268	BRUSH HOLDER
0003	.c.....	1	4931384946	RATING PLATE	0121	abc.....	4	4931623123	ROLL
0004	a.....	1	4931623392	CONNECTION CABLE	0123	abc.....	2	4931342808	CENTERING LEDGE
0004	.b.....	1	4931624010	CONNECTION CABLE	0125	abc.....	1	4931256500	CABLE COLLAR
0004	.c.....	1	4931623672	CONNECTION CABLE	0126	abc.....	2	4931624538	SCREW
0006	abc.....	1	4931378806	TYPE PLATE	0127	abc.....	6	4931618253	SCREW
0007	abc.....	1	4931382410	DRILLING TABLE	0131	a.c.....	1	4931622948	WIRE
0071	abc.....	1	4931379664	INSERT	0131	.b.....	1	4931623466	WIRE
0105	a.c.....	1	4931344065	ELECTRIC FIELD	0132	a.c.....	1	4931623136	WIRE
0105	.b.....	1	4931343664	ELECTRIC FIELD	0132	.b.....	1	4931623467	WIRE
0106	a.c.....	1	4931379691	ARMATURE	0135	a.c.....	1	4931382842	SPEED GOVERNOR
0106	.b.....	1	4931382208	ARMATURE	0135	.b.....	1	4931384098	SPEED GOVERNOR
0107	abc.....	1	4931342793	FAN	0200	abc.....	1	4931382379	GEAR BOX
0108	abc.....	1	4931623188	BALL BEARING	0204	abc.....	1	4931331685	WASHER
0109	abc.....	1	4931624405	BALL BEARING	0206	abc.....	1	4931382381	BEARING END PLATE
0110	abc.....	1	4931382148	SEALING SLEEVE	0208	abc.....	2	4931622575	AXIAL BEAR.WASHER
0111	abc.....	1	4931267585	BEARING COVER	0209	abc.....	1	4931941082	O-RING
0113	abc.....	1	4931342794	AIR DEFLECTOR RING	0210	abc.....	1	4931622567	AXIAL NEEDLE RING
0114	abc.....	4	4931332524	HOLDING-DOWN DEVIC	0211	abc.....	1	4931379686	REDUCT. GEAR SHAFT
0115	a.c.....	1	4931623349	WIRE	0214	abc.....	1	4931621983	DISC
0115	.b.....	1	4931623354	WIRE	0215	abc.....	1	4931379589	PRESSURE SPRING

Repairs/modification and testing of electric power tools are to be carried out by specialists. The safety regulations according to DIN/VDE/CEE/AFNOR and other regulations valid in the different countries are to be observed.

# A & M Electric Tools

Ind	Product No.	Type	Voltage	Country
a	4000384940	PPH30X2E	220-240V	IN2
b	4000384947	PPH30X2E	110V	GB1
c	4000384945	PPH30X2E	240V	GB2

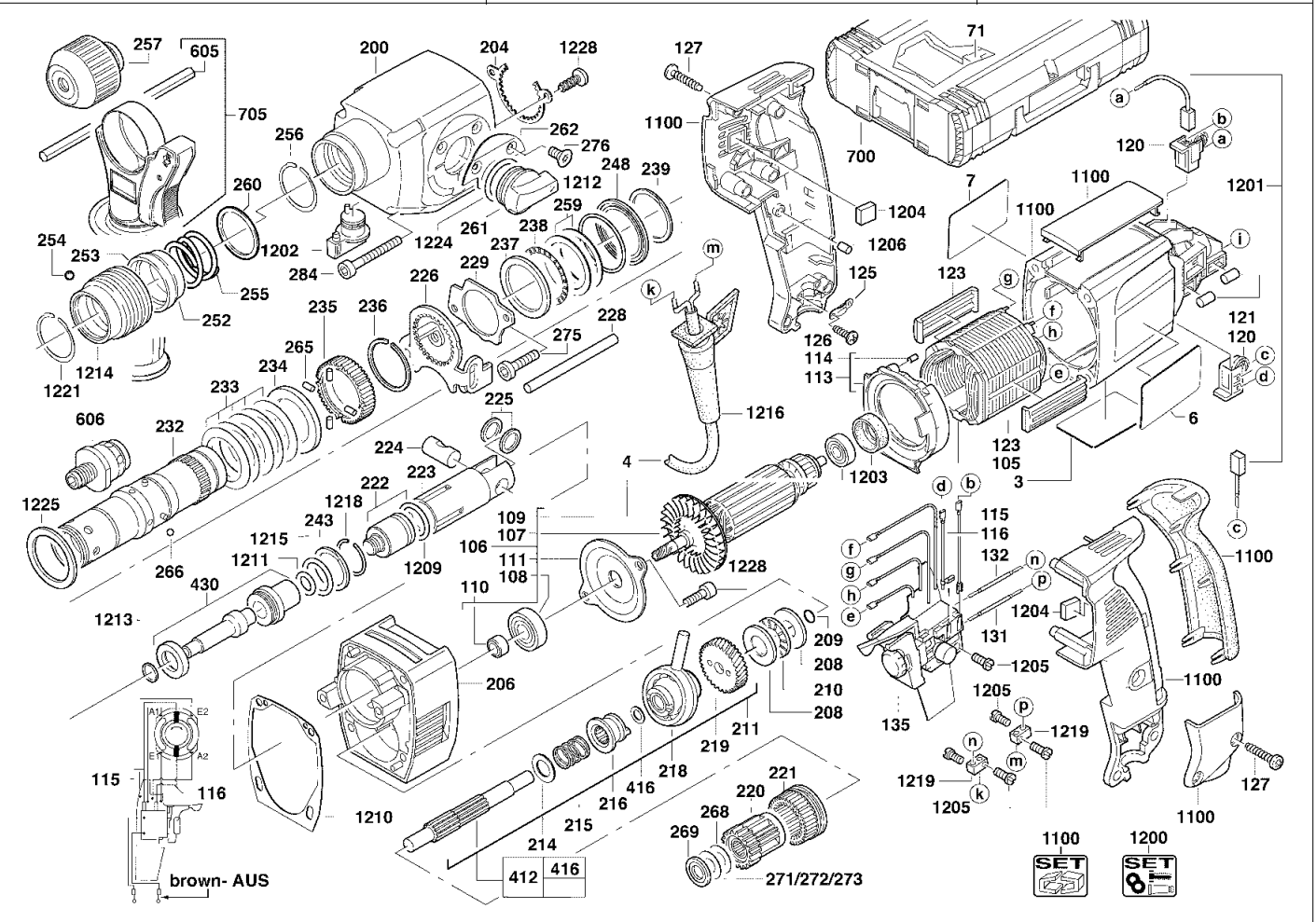
# Rotary Hammers

Milwaukee

## PPH 30 X 2 E

Exp.view No.      Version      Date      Page

4926 3849 41      0007      13.02.07      2/3



Pos	Index	Quanti	Article No.	Designation	Pos	Index	Quanti	Article No.	Designation
0216	abc	1	4931379653	COUPLING SLEEVE	0252	abc	1	4931382921	SLEEVE
0218	abc	1	4931379116	WOBBLE DRIVE	0253	abc	1	4931379875	SLEEVE
0219	abc	1	4931379170	REDUCT GEAR WHEEL	0254	abc	6	4931805437	BALL
0220	abc	1	4931384918	PLANET GEAR	0255	abc	1	4931331754	PRESSURE SPRING
0221	abc	1	4931331684	INTERN.GEARED WHEEL	0256	abc	1	4931945764	SPRING RING
0222	abc	1	4931387332	PERCUSSION BODY	0257	abc	1	4931379739	ADAPTER
0223	abc	1	4931379587	CYLINDER	0259	abc	2	4931623200	WASHER
0224	abc	1	4931331623	CYLINDRICAL BOLT	0260	abc	1	4931623234	WASHER
0225	abc	1	4931400589	WASHER	0261	abc	1	4931392507	SWITCH HANDLE
0226	abc	1	4931331724	SLIDER	0262	abc	1	4931379108	LATCH PLATE
0228	abc	1	4931623081	PIN	0265	abc	4	4931624045	CYLINDER PULLEY
0229	abc	1	4931331787	LATCH PLATE	0266	abc	4	4931805390	BALL
0232	abc	1	4931384922	SPINDLE SLEEVE	0268	abc	1	4931624096	DISC
0233	abc	5	4931379071	CUP SPRING	0269	abc	1	4931379420	SPACER
0234	abc	1	4931379110	CLUTCH DISC	0271	abc	1	4931624098	DISC
0235	abc	1	4931392752	SPINDLE GEAR	0272	abc	1	4931624097	DISC
0236	abc	1	4931384919	SPRING RING	0273	abc	1	4931624096	DISC
0237	abc	1	4931623199	WASHER	0275	abc	2	4931623260	SCREW
0238	abc	1	4931331713	THRUST BEARING	0276	abc	2	4931379109	SCREW
0239	abc	1	4931343187	LOCKING WASHER	0284	abc	4	4931331734	SCREW
0243	abc	1	4931384209	THRUST COLLAR	0412	abc	1	4931384864	REDUCT. GEAR SHAFT
0248	abc	1	4931343049	WASHER	0416	abc	1	4931624264	DISC

Repairs/modification and testing of electric power tools are to be carried out by specialists. The safety regulations according to DIN/VDE/CEE/AFNOR and other regulations valid in the different countries are to be observed.

# A & M Electric Tools

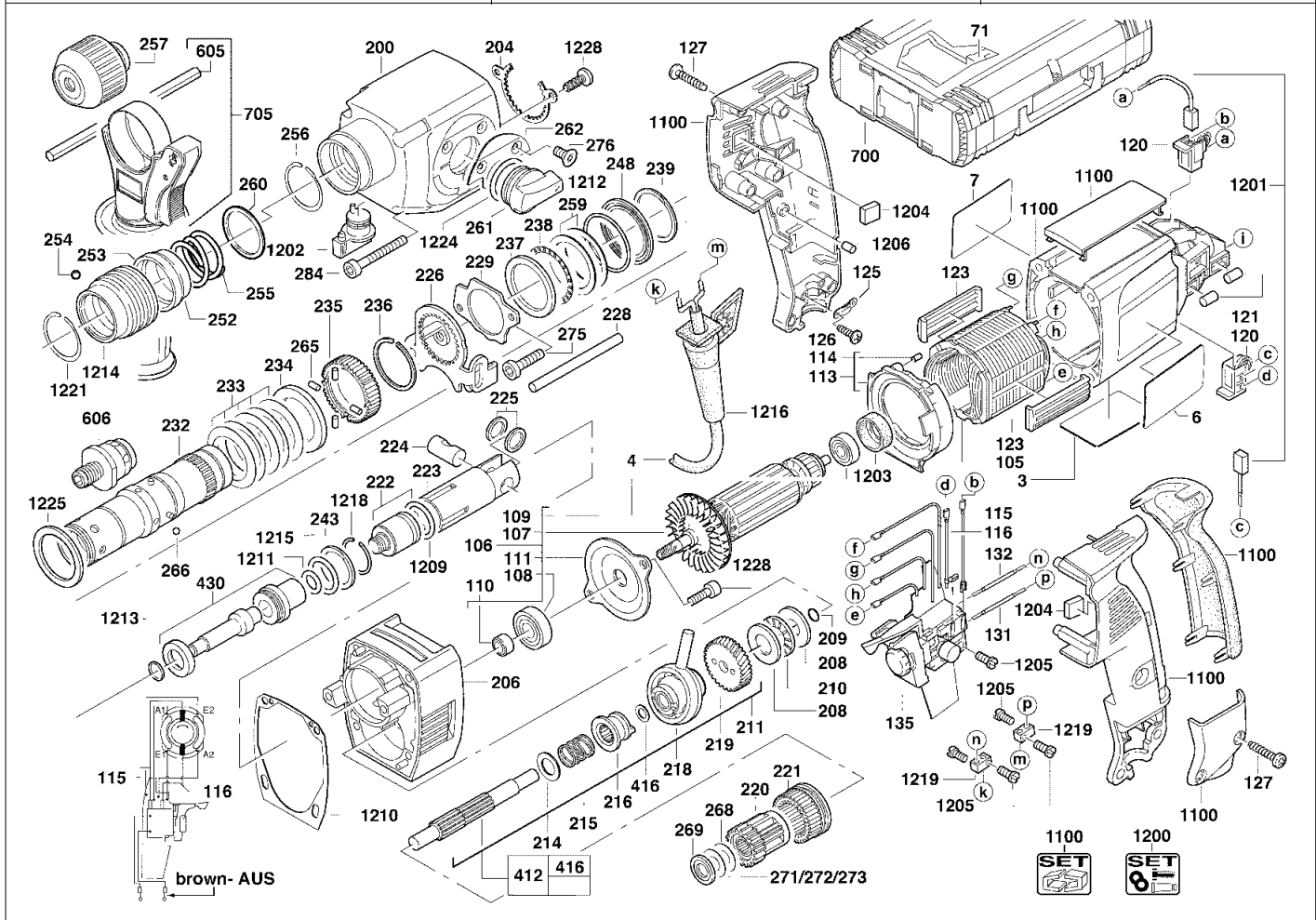
# Rotary Hammers

Ind	Product No.	Type	Voltage	Country
a	4000384940	PPH30X2E	220-240V	IN2
b	4000384947	PPH30X2E	110V	GB1
c	4000384945	PPH30X2E	240V	GB2

Ind	Product No.	Type	Voltage	Country

**Milwaukee**  
**PPH 30 X 2 E**

Exp.view No.      Version      Date      Page  
**4926 3849 41      0007 13.02.07 3/3**



Pos	Index	Quanti	Article No.	Designation
0430	abc	1	4931379881	REPAIR KIT
0605	abc	1	4931384434	DEPTH GAUGE
0606	abc	1	4931382287	CHUCK ADAPTER
0700	abc	1	4932378986	CARRYING CASE
0705	abc	1	4931384886	HANDLE
1100	abc	1	4931380477	BODY
1200	a.c	1	4931379786	MAINTENANCE SET
1200	.b	1	4931382209	MAINTENANCE SET
1201	a.c	1	4931369477	CARBON BRUSH SET
1201	.b	1	4931392599	CARBON BRUSH SET
1202	abc	1	4931392508	SWITCH HANDLE
1203	abc	1	4931301483	RUBBER SLEEVE
1204	abc	2	4931342803	DAMPING ELEMENT
1205	abc	6	4931621772	SCREW
1206	abc	1	4931271824	HOLDING-DOWN DEVIC
1209	abc	1	4931379705	SEAL RING
1210	abc	1	4931331735	GASKET
1211	abc	1	4931387348	O-RING
1212	abc	1	4931623135	O-RING
1213	abc	1	4931623232	SEAL RING
1214	abc	1	4931379022	SLEEVE
1215	abc	1	4931624492	SEAL RING

Pos	Index	Quanti	Article No.	Designation
1216	abc	1	4931332161	CABLE ENTRY SLEEVE
1218	abc	1	4931623636	RING
1219	abc	2	4931307924	CONNECTOR
1221	abc	1	4931945764	SPRING RING
1224	abc	1	4931623293	O-RING
1225	abc	1	4931379585	FELT WASHER
1228	abc	4	4931379708	SCREW

Repairs/modification and testing of electric power tools are to be carried out by specialists. The safety regulations according to DIN/VDE/CEE/AFNOR and other regulations valid in the different countries are to be observed.