

# A & M Electric Tools

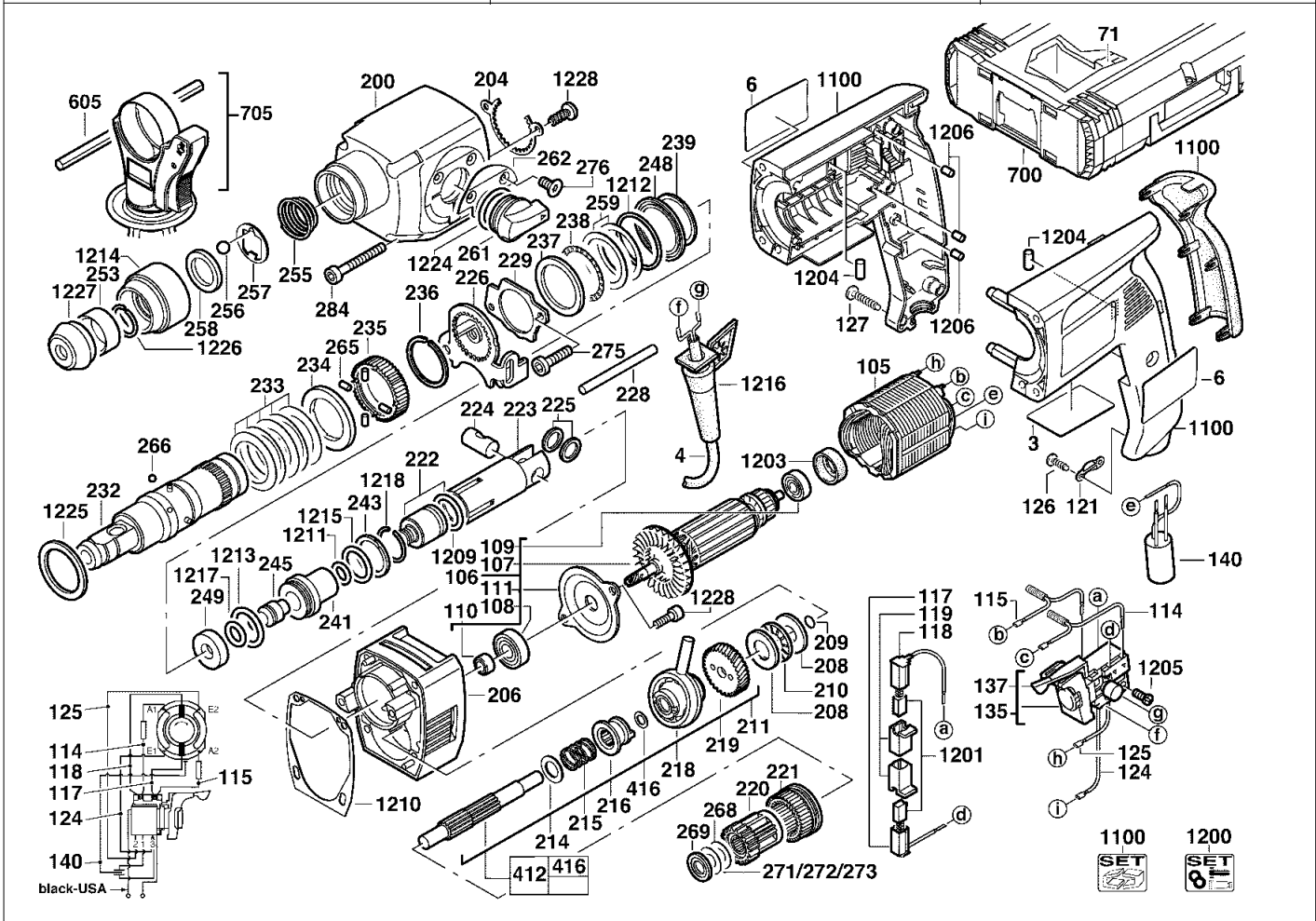
# Rotary Hammers

Ind Product No. Type  
a 4000392115 PPH24E

Voltage Country  
220-240V IN2

Milwaukee  
PPH 24 E

Exp.view No. Version Date Page  
4926 3921 16 0005 13.02.07 1/3



Pos	Index	Quanti	Article No.	Designation
0003	a	1	4931392118	RATING PLATE
0004	a	1	4931302112	CONNECTION CABLE
0006	a	1	4931378806	TYPE PLATE
0071	a	1	4931379664	INSERT
0105	a	1	4931301856	ELECTRIC FIELD
0106	a	1	4931343020	ARMATURE
0107	a	1	4931342643	FAN
0108	a	1	4931623188	BALL BEARING
0109	a	1	4931624405	BALL BEARING
0110	a	1	4931382148	SEALING SLEEVE
0111	a	1	4931267585	BEARING COVER
0114	a	1	4931623023	CHOKING COIL
0115	a	1	4931622291	CHOKING COIL
0117	a	1	4931271665	BRUSH HOLDER
0118	a	1	4931622292	BRUSH HOLDER
0119	a	2	4931315039	BRUSH HOLDER
0121	a	1	4931256500	CABLE COLLAR
0124	a	1	4931253699	CABLE
0125	a	1	4931622262	WIRE
0126	a	2	4931624516	SCREW
0127	a	6	4931624515	SCREW
0135	a	1	4931382377	SWITCH BOARD

Pos	Index	Quanti	Article No.	Designation
0137	a	1	4931344836	SWITCH LEVER
0140	a	1	4931622384	CAPACITOR
0200	a	1	4931382394	GEAR BOX
0204	a	1	4931331685	WASHER
0206	a	1	4931382381	BEARING END PLATE
0208	a	2	4931622575	AXIAL BEAR.WASHER
0209	a	1	4931941082	O-RING
0210	a	1	4931622567	AXIAL NEEDLE RING
0211	a	1	4931379284	REDUCT. GEAR SHAFT
0214	a	1	4931621983	DISC
0215	a	1	4931379589	PRESSURE SPRING
0216	a	1	4931379649	COUPLING SLEEVE
0218	a	1	4931379116	WOBBLE DRIVE
0219	a	1	4931387316	REDUCT GEAR WHEEL
0220	a	1	4931384917	PLANET GEAR
0221	a	1	4931331769	INTERN.GEARED WHEE
0222	a	1	4931387332	PERCUSSION BODY
0223	a	1	4931379587	CYLINDER
0224	a	1	4931331623	CYLINDRICAL BOLT
0225	a	1	4931400589	WASHER
0226	a	1	4931331752	SLIDER
0228	a	1	4931623081	PIN

Repairs/modification and testing of electric power tools are to be carried out by specialists. The safety regulations according to DIN/VDE/CEE/AFNOR and other regulations valid in the different countries are to be observed.

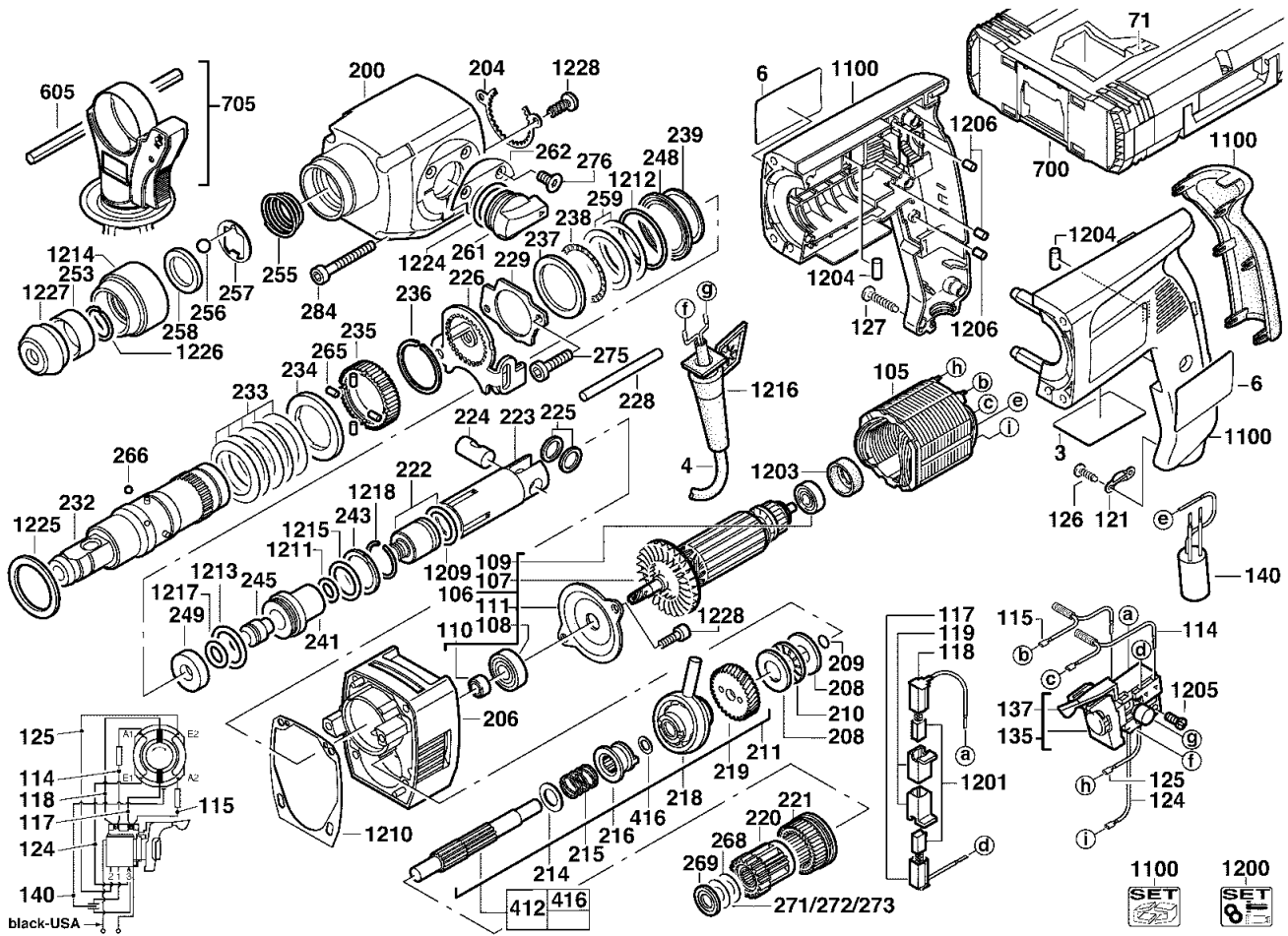
# A & M Electric Tools

Ind Product No. Type Voltage Country  
a 4000392115 PPH24E 220-240V IN2

# Rotary Hammers

Milwaukee  
**PPH 24 E**

Exp.view No. Version Date Page  
4926 3921 16 0005 13.02.07 2/3



Pos	Index	Quanti	Article No.	Designation	Pos	Index	Quanti	Article No.	Designation
0229	a	1	4931331787	LATCH PLATE	0265	a	4	4931624045	CYLINDER PULLEY
0232	a	1	4931384923	SPINDLE SLEEVE	0266	a	4	4931805390	BALL
0233	a	5	4931379071	CUP SPRING	0268	a	1	4931624096	DISC
0234	a	1	4931379110	CLUTCH DISC	0269	a	1	4931379420	SPACER
0235	a	1	4931392752	SPINDLE GEAR	0271	a	1	4931624098	DISC
0236	a	1	4931384919	SPRING RING	0272	a	1	4931624097	DISC
0237	a	1	4931623199	WASHER	0273	a	1	4931624096	DISC
0238	a	1	4931331713	THRUST BEARING	0275	a	2	4931623260	SCREW
0239	a	1	4931343187	LOCKING WASHER	0276	a	2	4931379109	SCREW
0241	a	1	4931387331	SLEEVE	0284	a	4	4931331734	SCREW
0243	a	1	4931384209	THRUST COLLAR	0412	a	1	4931384864	REDUCT. GEAR SHAFT
0245	a	1	4931387329	SNAP DIE	0416	a	1	4931624264	DISC
0248	a	1	4931343049	WASHER	0605	a	1	4931384434	DEPTH GAUGE
0249	a	1	4931382274	STOP WASHER	0700	a	1	4932378986	CARRYING CASE
0253	a	1	4931360861	DISTANCE SLEEVE	0705	a	1	4931384886	HANDLE
0255	a	1	4931343128	PRESSURE SPRING	1100	a	1	4931359606	HOUSING
0256	a	1	4931911572	BALL	1200	a	1	4931379681	MAINTENANCE SET
0257	a	1	4931343127	SUPPORT PLATE	1201	a	1	4931392609	CARBON BRUSH SET
0258	a	1	4931343126	HOLDING RING	1203	a	1	4931301483	RUBBER SLEEVE
0259	a	2	4931623200	WASHER	1204	a	2	4931307423	HOLDING-DOWN DEVIC
0261	a	1	4931392506	SWITCH HANDLE	1205	a	2	4931621772	SCREW
0262	a	1	4931379108	LATCH PLATE	1206	a	3	4931271824	HOLDING-DOWN DEVIC

Repairs/modification and testing of electric power tools are to be carried out by specialists. The safety regulations according to DIN/VDE/CEE/AFNOR and other regulations valid in the different countries are to be observed.

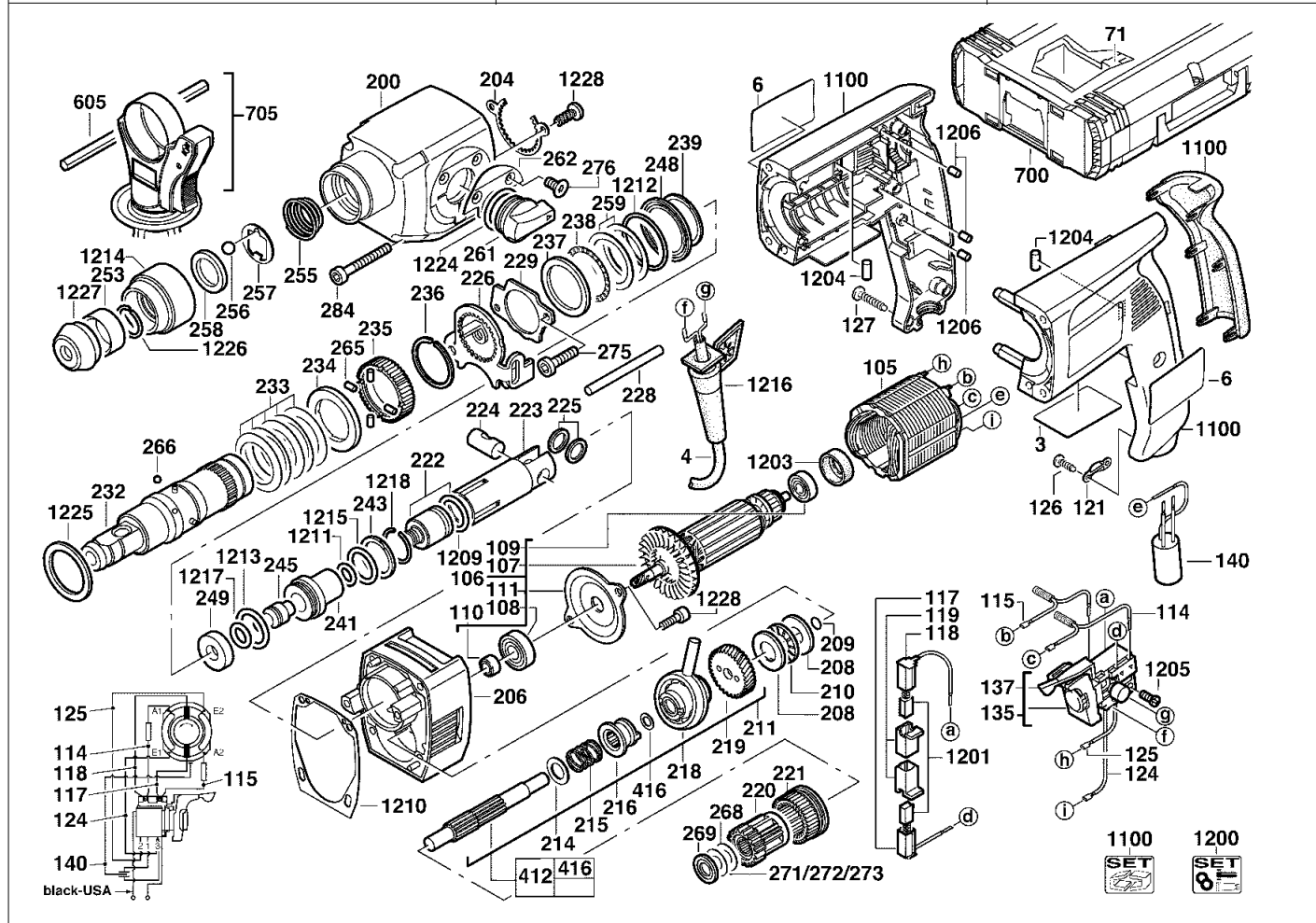
# A & M Electric Tools

# Rotary Hammers

Ind Product No.	Type	Voltage	Country
a 4000392115	PPH24E	220-240V	IN2

Ind Product No.	Type	Voltage	Country

Milwaukee			
<b>PPH 24 E</b>			
Exp.view No.	Version	Date	Page
4926 3921 16	0005	13.02.07	3/3



Pos	Index	Quanti	Article No.	Designation
1209	a.....	1	4931379705	SEAL RING
1210	a.....	1	4931331735	GASKET
1211	a.....	1	4931387348	O-RING
1212	a.....	1	4931623135	O-RING
1213	a.....	1	4931623221	RADIAL SEAL RING
1214	a.....	1	4931343965	SLEEVE
1215	a.....	1	4931624492	SEAL RING
1216	a.....	1	4931332161	CABLE ENTRY SLEEVE
1217	a.....	1	4931624493	SEAL RING
1218	a.....	1	4931623636	RING
1224	a.....	1	4931623293	O-RING
1225	a.....	1	4931379585	FELT WASHER
1226	a.....	1	4931623220	SPRING RING
1227	a.....	1	4931343123	CAP
1228	a.....	4	4931379708	SCREW

Pos	Index	Quanti	Article No.	Designation
117	a.....			
119	b.....			
118	c.....			
115	d.....			
114	e.....			
1205	f.....			
137	g.....			
135	h.....			
125	i.....			
124	j.....			
1201	k.....			
209				
208				
210				
208				
211				
219				
218				
221				
220				
268				
269				
271/272/273				
214				
215				
216				
412				
416				
1210				
206				
1228				
271/272/273				
1100	SET			
1200	SET			

Repairs/modification and testing of electric power tools are to be carried out by specialists. The safety regulations according to DIN/VDE/CEE/AFNOR and other regulations valid in the different countries are to be observed.