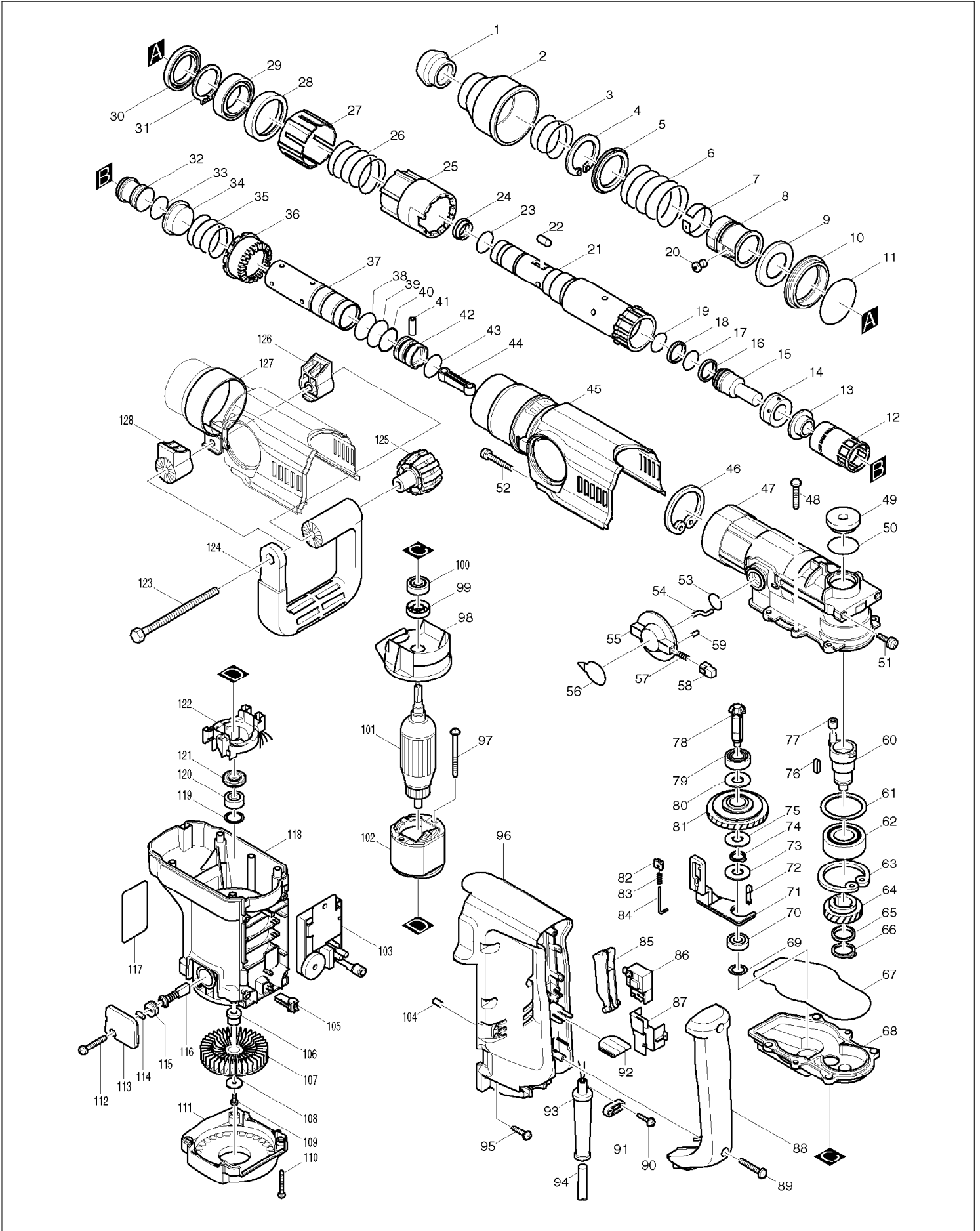


SERVICE DRAWING

MODEL NO. HR4000C



SPARE PARTS LIST

MODEL NO. HR4000C

ITEM	PART NO.	DESCRIPTION	QTY	NOTE
001	286247-2	TOOL HOLDER CAP	1	
002	416127-0	CHUCK COVER	1	
003	233178-6	COMPRESSION SPRING 46	1	
004	961176-7	RETAINING RING S-40	1	
005	344489-5	WASHER 40	1	
006	233179-4	COMPRESSION SPRING 50	1	
007	232171-7	LEAF SPRING 37	1	
008	322948-9	CHUCK RING	1	
009	344488-7	CUP WASHER 32	1	
010	416283-6	SEAL CASE	1	
011	213601-7	O RING 50	1	
012	416282-8	SLIDE SLEEVE	1	
013	331505-2	SLEEVE 16	1	
014	421582-3	RUBBER RING 17	1	
015	322959-4	IMPACT BOLT	1	
016	213392-0	FLUORIDE RING 25	1	
017	213317-4	O RING 20	1	
018	213392-0	FLUORIDE RING 25	1	
019	213317-4	O RING 20	1	
020	310052-6	SHOULDER PIN 8	1	
021	322952-8	TOOL HOLDER	1	
022	322908-1	ROLLER 8	2	
023	231977-0	RING SPRING 25	1	
024	213271-2	DUST SEAL 18	1	
025	416125-4	LOCK SLEEVE A	1	
026	233177-8	COMPRESSION SPRING 44	1	
027	416325-6	LOCK SLEEVE B	1	
028	331510-9	BEARING HOLDER	1	
029	211469-5	BALL BEARING 6907	1	
030	213480-3	OIL SEAL 35	1	
031	961153-9	RETAINING RING S-35	1	
032	322960-9	STRIKER	1	
033	213370-0	O RING 22	1	
034	331509-4	RING 33	1	
035	233176-0	COMPRESSION SPRING 37	1	
036	226745-4	STRAIGHT BEVEL GEAR 33	1	
037	331508-6	CYLINDER 28.5	1	
038	213406-5	O RING 30	1	
039	213406-5	O RING 30	1	
040	213370-0	O RING 22	1	
041	*****	*****	***	*****
042	416122-0	PISTON	1	
043	213370-0	O RING 22	1	
044	416123-8	ROD	1	
045	*****	*****	***	*****
046	962253-8	RETAINING RING R-56	1	
047	159948-4	CRANK HOUSING COMPLETE	1	
048	266012-5	TAPPING SCREW 5X35	6	
049	*****	*****	***	*****
050	213406-5	O RING 30	1	
051	911233-1	PAN HEAD SCREW M5X20	2	
052	911128-8	PAN HEAD SCREW M4X16	1	
053	213304-3	O RING 20	1	
054	322962-5	CRANK PIN 4	1	
055	416287-8	CHANGE LEVER	1	
056	816329-2	INDICATION LABEL	1	
057	233188-3	COMPRESSION SPRING 2.4	1	
058	*****	*****	***	*****
059	256122-6	PIN 4	1	
060	*****	*****	***	*****
061	267169-5	FLAT WASHER 42	1	

SPARE PARTS LIST

MODEL NO. HR4000C

ITEM	PART NO.	DESCRIPTION	QTY	NOTE
062	211373-8	BALL BEARING 6205LLU	1	
063	962251-2	RETAINING RING R-52	1	
064	226479-9	HELICAL GEAR 37	1	
065	267121-3	FLAT WASHER 20	1	
066	961060-6	RETAINING RING S-20	1	
067	421613-8	SEAL RING	1	
068	159949-2	GEAR HOUSING COMPLETE	1	
069	253314-8	THIN WASHER 15	1	
070	211031-6	BALL BEARING 608LLB	1	
071	416288-6	CHANGE LINK	1	
072	322951-0	CHANGE KEY	2	
073	253810-6	FLAT WASHER 12	1	
074	961052-5	RETAINING RING S-12	1	
075	267113-2	FLAT WASHER 12	1	
076	254229-2	KEY 5	2	
077	257631-8	SLEEVE 7	1	
078	226746-2	STRAIGHT BEVEL GEAR 10	1	
079	211121-5	BALL BEARING 1207	1	
080	267113-2	FLAT WASHER 12	1	
081	159947-6	TORQUE LIMITER COMPLETE	1	
082	416289-4	SLIDE PLATE	1	
083	233180-9	COMPRESSION SPRING 3	1	
084	322963-3	GUIDE PIN 2	1	
085	416284-4	SWITCH LEVER	1	
086	651922-3	SWITCH TG71B	1	
087	416126-2	LEAD GUIDE	1	
088	*****	*****	***	*****
089	265995-6	TAPPING SCREW 4X18	2	
090	265995-6	TAPPING SCREW 4X18	2	
091	*****	*****	***	*****
092	421583-1	SPONGE SHEET	1	
093	*****	*****	***	*****
094	665883-1	POWER SUPPLY CORD 1.0-2-5.0	1	
095	266021-4	TAPPING SCREW 5X20	4	
096	*****	*****	***	*****
097	266044-2	TAPPING SCREW 5X60	2	
098	*****	*****	***	*****
099	213112-2	OIL SEAL 12	1	
100	*****	*****	***	*****
101	*****	*****	***	*****
102	634298-3	FIELD 220V	1	
103	*****	*****	***	*****
104	416285-2	ACRYLIC PIN 5	2	
105	*****	*****	***	*****
106	322961-7	SLEEVE 7	1	
107	241876-8	FAN 76	1	
108	*****	*****	***	*****
109	*****	*****	***	*****
110	265995-6	TAPPING SCREW 4X18	4	
111	416295-9	REAR COVER	1	
112	265995-6	TAPPING SCREW 4X18	2	
113	416292-5	BRUSH HOLDER COVER	2	
114	263002-9	RUBBER PIN 4	2	
115	643750-0	BRUSH HOLDER CAP	2	
116	*****	*****	***	*****
117	858714-3	NAME PLATE HR4000C	1	
118	159950-7	MOTOR HOUSING COMPLETE	1	
119	253343-1	THIN WASHER 18	1	
120	210005-4	BALL BEARING 608DDW	1	
121	*****	*****	***	*****
122	632699-9	SUPPORT COMPLETE	1	

SPARE PARTS LIST

MODEL NO. HR4000C

ITEM	PART NO.	DESCRIPTION	QTY	NOTE
123	265439-6	HEX. BOLT M8X150	1	
124	*****	*****	***	*****
125	252640-2	WING NUT M8	1	
126	416298-3	SIDE HANDLE BASE 68	1	
127	*****	*****	***	*****
128	416298-3	SIDE HANDLE BASE 68	1	
130	421698-4	DUSTPROOF WASHER 55	1	
131	417002-3	SIDE HANDLE CAM	2	
A01	*****	*****	***	*****
A02	152554-4	GRIP 36 COMPLETE	1	
A03	265701-9	SCREW M6X14	1	
A04	266163-4	CUP SQUARE NECK BOLT M8X80	1	
A05	321248-4	DEPTH GAUGE	1	
A06	344491-8	GRIP SPRING 68	1	
A07	344492-6	PLATE	1	
A08	416299-1	SIDE GRIP BASE 68	1	
A09	931302-2	HEX. NUT M6	1	
A10	824479-9	PLASTIC CARRYING CASE	1	
B01	*****	*****	***	*****
B02	134803-1	GRIP 36 ASS'Y INC. A02-A09	1	
B03	134900-3	BEARING HOLDER ASS'Y INC. 28,29	1	