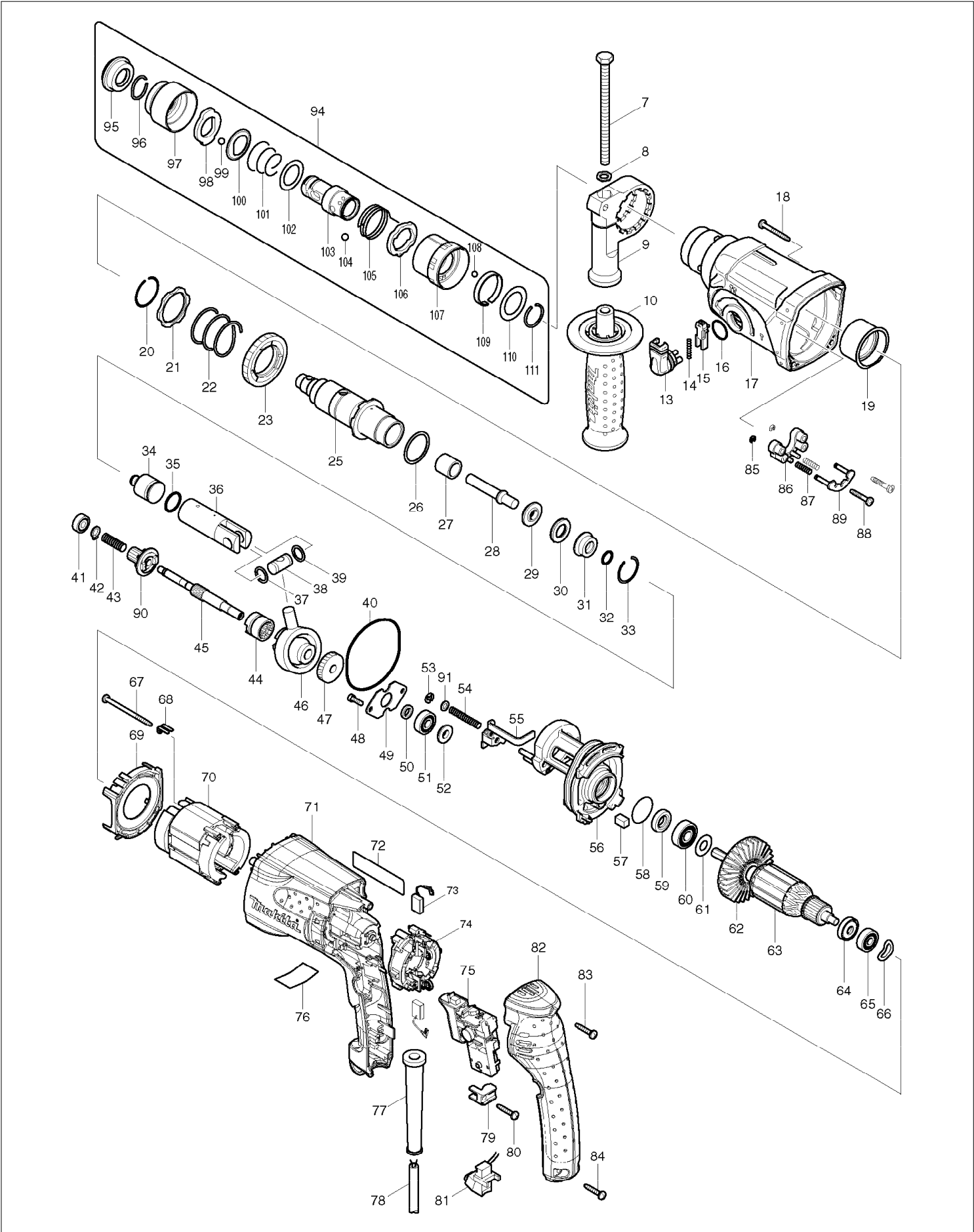


# SERVICE DRAWING

MODEL NO. HR2470FT



# SPARE PARTS LIST

MODEL NO. HR2470FT

ITEM	PART NO.	DESCRIPTION	QTY	NOTE
007	921923-8	HEX. BOLT M8X120	1	
008	345280-4	HEX. WASHER	1	
009	417630-4	GRIP BASE	1	
010	158057-6	GRIP 36 COMPLETE	1	
013	162245-9	CHANGE LEVER	1	
014	233459-8	COMPRESSION SPRING 3	1	
015	419192-8	LOCK BUTTON	1	
016	213278-8	O RING 17	1	
017	158216-2	GEAR HOUSING COMPLETE	1	
018	266351-3	TAPPING SCREW 4X35	4	
019	153290-5	NEEDLE BEARING COMPLETE	1	
020	233929-7	RING SPRING 29	1	
021	267791-8	WASHER 31	1	
022	233401-9	COMPRESSION SPRING 32	1	
023	227109-5	SPUR GEAR 51	1	
025	158307-9	TOOL HOLDER GUIDE COMPLETE	1	
026	267229-3	FLAT WASHER 28	1	
027	331769-8	SLEEVE 9	1	
028	324796-2	IMPACT BOLT	1	
029	324402-9	RING 10	1	
030	421955-0	CUSHION RING 13	1	
031	324216-6	O RING CASE	1	
032	213073-6	O RING 9	1	
033	233917-4	RING SPRING 28	1	
034	324733-6	STRIKER	1	
035	213227-5	O RING 16	1	
036	318132-2	PISTON CYLINDER	1	
037	267104-3	FLAT WASHER 12	1	
038	324215-8	PISTON JOINT	1	
039	267104-3	FLAT WASHER 12	1	
040	213727-5	O-RING 63	1	
041	211012-0	BALL BEARING 606ZZ	1	
042	961003-8	RETAINING RING S-7	1	
043	233343-7	COMPRESSION SPRING 7	1	
044	331768-0	CLUTCH CAM	1	
045	324668-1	CAM SHAFT	1	
046	219014-0	SWASH BEARING 10	1	
047	226656-3	HELICAL GEAR 26	1	
048	266273-7	HEX. SOCKET HEAD BOLT M4X12	2	
049	345179-3	BEARING RETAINER	1	
050	267234-0	FLAT WASHER 8	1	
051	211032-4	BALL BEARING 608ZZ	1	
052	324212-4	RING 8	1	
053	961011-9	STOP RING E-4	1	
054	233342-9	COMPRESSION SPRING 6	1	
055	345363-0	CHANGE PLATE	1	
056	158215-4	INNER HOUSING COMPLETE	1	
057	443126-9	FELT	1	
058	213407-3	O RING 26	1	
059	213077-8	OIL SEAL 10	1	
060	210059-1	BALL BEARING 6000DDW	1	
061	267213-8	FLAT WASHER 10	1	
062	240092-9	FAN 64	1	
063	515289-2	ARMATURE ASS'Y 240V INC. 60-62,64,65	1	
064	681652-2	INSULATION WASHER	1	
065	210023-2	BALL BEARING 627DDW	1	
066	267804-5	WAVE WASHER 15	1	
067	266334-3	TAPPING SCREW 4X60	2	
068	344871-8	RETAINER	2	
069	419716-0	BUFFLE PLATE	1	

# SPARE PARTS LIST

MODEL NO. HR2470FT

ITEM	PART NO.	DESCRIPTION	QTY	NOTE
070	626579-9	FIELD 240V	1	
071	419718-6	MOTOR HOUSING	1	
072	863556-2	HR2470FT NAME PLATE	1	
073	194074-2	CARBON BRUSH CB-325	1	
074	638500-6	BRUSH HOLDER UNIT	1	
075	650588-6	SWITCH C3VA-2L-C	1	
076	814966-6	HR2470FT SERIAL NO.LABEL	1	
077	682566-8	CORD GUARD 10	1	
078	665890-4	POWER SUPPLY CORD 1.0-2-4.0	1	
079	687260-7	CORD CLAMP	1	
080	266324-6	TAPPING SCREW 4X22	1	
081	631746-3	LIGHT CIRCUIT	1	
082	419717-8	HANDLE COVER	1	
083	266324-6	TAPPING SCREW 4X22	1	
084	266324-6	TAPPING SCREW 4X22	2	
085	961017-7	STOP RING E-3	2	
086	417796-0	GUIDE BASE	1	
087	233344-5	COMPRESSION SPRING 4	2	
088	266374-1	TAPPING SCREW 4X25	2	
089	163430-7	LOCK PLATE COMPLETE	1	
090	227179-4	SPUR GEAR 10	1	
091	941102-2	FLAT WASHER 5	1	
094	194080-7	TOOL HOLDER SET INC. 95-111	1	
095	286263-4	CAP 35	1	
096	233940-9	RING SPRING 19	1	
097	418217-5	CHUCK COVER	1	
098	345333-9	STOPPER	1	
099	216022-2	STEEL BALL 7.0	1	
100	345187-4	GUIDE WASHER	1	
101	233916-6	CONICAL COMP. SPRING 21-29	1	
102	267279-8	FLAT WASHER 21	1	
103	324355-2	TOOL HOLDER	1	
104	216013-3	STEEL BALL 6	2	
105	231669-1	TORSION SPRING 31	1	
106	345334-7	CHANGE RING	1	
107	418218-3	CHANGE COVER	1	
108	216018-3	STEEL BALL 5.0	1	
109	345335-5	LEAF SPRING	1	
110	267270-6	FLAT WASHER 24	1	
111	233924-7	RING SPRING 21	1	
A01	194079-2	DRILL CHUCK SET	1	
A02	324219-0	DEPTH GAUGE	1	
A03	824799-1	PLASTIC CARRYING CASE	1	
A04	805443-9	HR2470FT PLASTIC CASE LABEL	1	