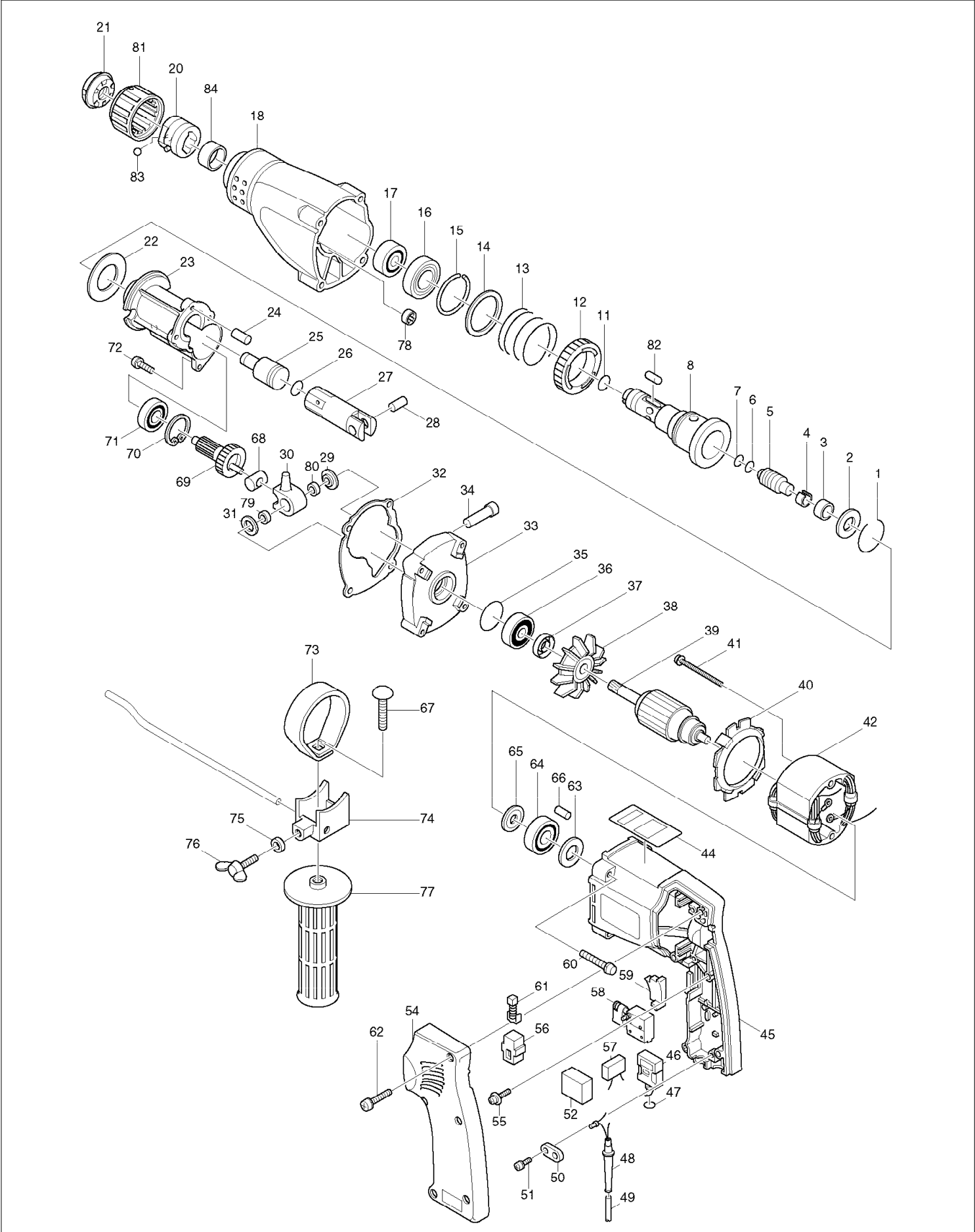


SERVICE DRAWING

MODEL NO. HR2000



SPARE PARTS LIST

MODEL NO. HR2000

ITEM	PART NO.	DESCRIPTION	QTY	NOTE
001	231935-6	RING SPRING 26	1	
002	267022-5	FLAT WASHER 13.5	1	
003	262038-5	RUBBER RING 17	1	
004	321915-1	IDLER	1	
005	321913-5	IMPACT BOLT	1	
006	213063-9	O RING 10	1	
007	213063-9	O RING 10	1	
008	322516-8	TOOL HOLDER	1	
011	213068-9	O RING 10	1	
012	221924-9	SPUR GEAR 39	1	
013	231408-9	COMPRESSION SPRING 35	1	
014	267023-3	FLAT WASHER 34	1	
015	231936-4	RING SPRING 30.5	1	
016	213418-8	OIL SEAL 28	1	
017	211323-3	BALL BEARING 6904LLU	1	
018	157611-3	GEAR HOUSING COMPLETE	1	
020	154404-9	CHANGE RING COMPLETE	1	
021	286234-1	CAP 37	1	
022	261067-5	WASHER 28	1	
023	315883-8	CRANK HOUSING	1	
024	256162-4	PIN 7	1	
025	321911-9	STRIKER	1	
026	213214-4	O RING 16	1	
027	331282-6	PISTON CYLINDER	1	
028	321916-9	PISTON JOINT	1	
029	342962-9	WASHER	1	
030	321927-4	BELL CRANK	1	
031	342962-9	WASHER	1	
032	442087-0	GEAR HOUSING PACKING	1	
033	157612-1	GEAR HOUSING COVER COMPLETE	1	
034	256160-8	PIN 8	1	
035	213407-3	O RING 26	1	
036	211069-1	BALL BEARING 6200	1	
037	213112-2	OIL SEAL 12	1	
038	241832-8	FAN 62	1	
039	515128-6	ARMATURE ASS'Y 220V	1	220V
040	410773-1	BAFFLE PLATE	1	
041	911581-8	PAN HEAD SCREW M4X55	2	
042	528147-3	FIELD ASS'Y 220V	1	220V
044	855437-4	NAME PLATE HR2000	1	
045	159401-0	MOTOR HOUSING COMPLETE	1	
046	651470-2	SWITCH STE210N-1	1	
047	213105-9	O RING 11	1	
048	682504-0	CORD GUARD 10-85	1	115/220V
049	665516-8	POWER SUPPLY CORD 1.00-2-2.5	1	
050	687001-1	STRAIN RELIEF	1	115/220V
051	911133-5	PAN HEAD SCREW M4X18	2	
052	685722-9	SPONGE	1	
054	150315-6	HANDLE COVER COMPLETE	1	
055	911124-6	PAN HEAD SCREW M4X14	2	
056	643605-9	BRUSH HOLDER	2	
057	645209-3	NOISE SUPPRESSOR	1	
058	651256-4	SWITCH SGEL106CV-1A	1	
059	411900-3	SWITCH COVER	1	
060	911278-9	PAN HEAD SCREW M5X55	4	
061	191904-8	A.C. CARBON BRUSH CB-113	1	
062	911143-2	PAN HEAD SCREW M4X22	5	
063	253192-6	FLAT WASHER 14	1	

SPARE PARTS LIST

MODEL NO. HR2000

ITEM	PART NO.	DESCRIPTION	QTY	NOTE
064	211033-2	BALL BEARING 608LB	1	
065	681613-2	INSULATION WASHER	1	
066	263002-9	RUBBER PIN 4	1	
067	923456-9	CAP SQUARE NECK BOLT M8X35	1	
068	321914-3	CRANK JOINT	1	
069	153160-8	CRANK SHAFT COMPLETE	1	
070	962151-6	RETAINING RING R-32	1	
071	211204-1	BALL BEARING 6002	1	
072	911216-1	PAN HEAD SCREW M5X14	3	
073	342633-8	BELT	1	
074	315145-4	GRIP BASE	1	
075	261042-1	RUBBER WASHER 4.5	1	
076	924216-2	WING BOLT M5X15	1	
077	273496-0	GRIP 32	1	
078	212028-8	NEEDLE BEARING 709	1	
079	212026-2	NEEDLE CAGE 808	1	
080	212026-2	NEEDLE CAGE 808	1	
081	415076-8	CHANGE RING COVER	1	
082	322517-6	ROLLER 7	2	
083	*****	*****	***	*****
084	257172-4	RING 20	1	
400	181573-3	GREASE VESSEL 93G	1	
401	*****	*****	***	*****
402	321144-6	DEPTH GAUGE	1	
407	421342-3	DUST CUP 5	1	