

A & M Electric Tools

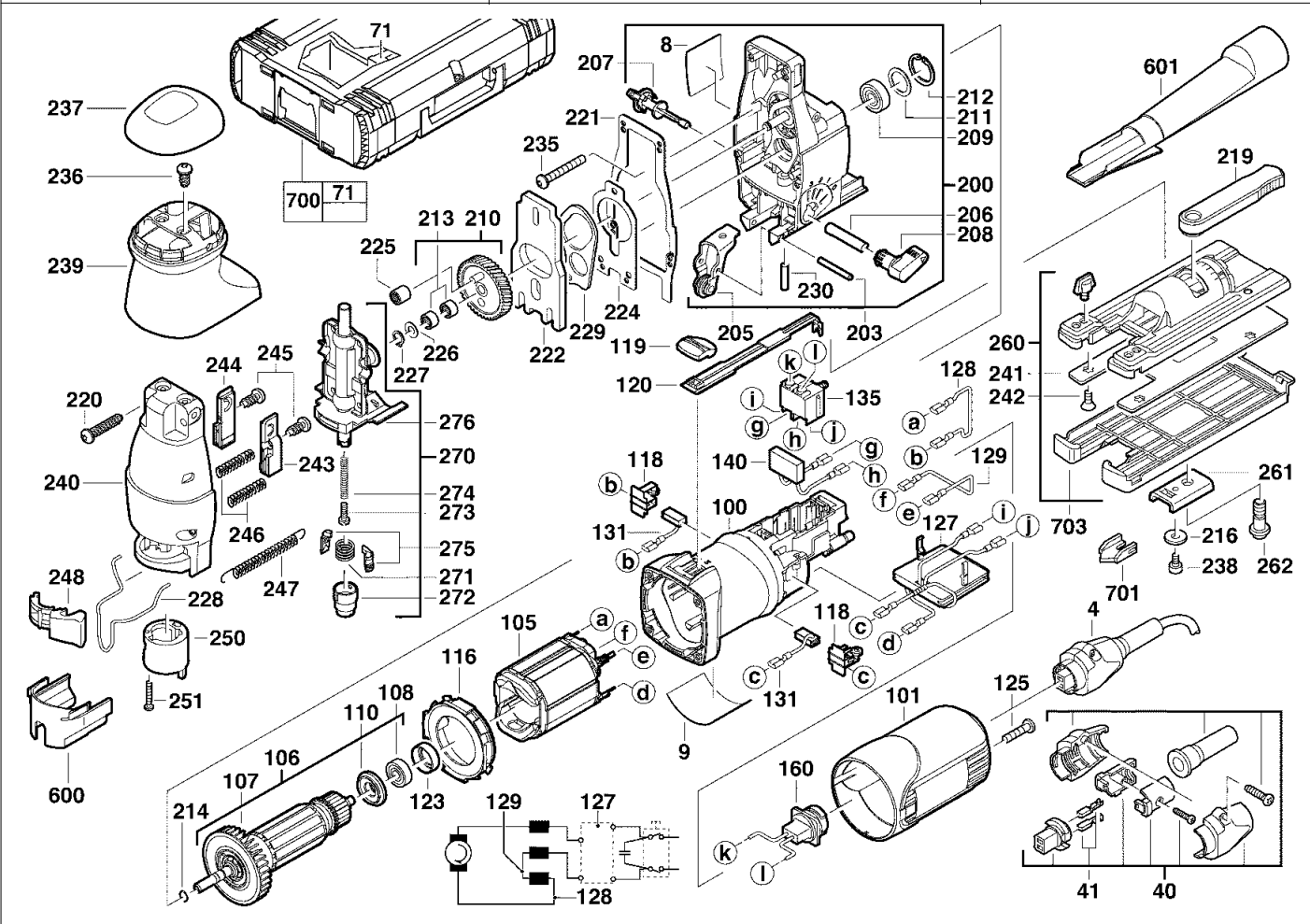
Ind Product No.	Type	Voltage	Country
a 4000403333	FSPE110QX	220-240V	IN2

Jig Saws

Ind Product No.	Type	Voltage	Country

Milwaukee
FSPE 110 QX

Exp.view No. Version Date Page
4926 4033 34 0001 20.06.06 1/2



Pos	Index	Quanti	Article No.	Designation	Pos	Index	Quanti	Article No.	Designation
0004	a.....	1	4931624171	CONNECTION CABLE	0131	a.....	1	4931392611	CARBON BRUSH SET
0008	a.....	1	4931381113	SAW TABLE	0135	a.....	1	4931368387	SWITCH
0009	a.....	1	4931403336	RATING PLATE	0140	a.....	1	4931368391	CAPACITOR
0040	a.....	1	4931380758	REPAIR KIT	0160	a.....	1	4931368393	PLUG
0041	a.....	1	4931380763	CABLE SOCKET P./10	0200	a.....	1	4931381166	GEAR BOX
0071	a.....	1	4931378505	INSERT	0203	a.....	1	4931621942	PIN
0100	a.....	1	4931403002	MOTOR HOUSING	0205	a.....	1	4931330051	HOLDER
0101	a.....	1	4931403014	HOUSING CAP	0206	a.....	1	4931381103	INDEXING BOLT
0105	a.....	1	4931381146	ELECTRIC FIELD	0207	a.....	1	4931381156	SWITCH
0106	a.....	1	4931381086	ARMATURE	0208	a.....	1	4931378812	SWITCH HANDLE
0107	a.....	1	4931368347	FAN	0209	a.....	1	4931901253	BALL BEARING
0108	a.....	1	4931902888	BALL BEARING	0210	a.....	1	4931357515	GEAR
0110	a.....	1	4931385658	INSULATING DISC	0211	a.....	1	4931803914	SEALING WASHER
0116	a.....	1	4931368332	AIR DEFLECTOR RING	0212	a.....	1	4931613683	LOCKING RING
0118	a.....	2	4931368633	BRUSH HOLDER	0213	a.....	2	4931219422	NEEDLE BEARING
0119	a.....	1	4931381347	SLIDER	0214	a.....	1	4931621828	LOCKING RING
0120	a.....	1	4931368386	GUIDE PIECE	0216	a.....	1	4931622131	DISC
0123	a.....	1	4931368374	RUBBER SLEEVE	0219	a.....	1	4931381610	TENSION LEVER
0125	a.....	2	4931618253	SCREW	0220	a.....	4	4931623020	SCREW
0127	a.....	1	4931357989	ELECTRIC ELEMENT	0221	a.....	1	4931381656	SEAL
0128	a.....	1	4931624081	WIRE	0222	a.....	1	4931381109	BALANCE WEIGHT
0129	a.....	1	4931253598	WIRE	0224	a.....	1	4931357577	SHIM

Repairs/modification and testing of electric power tools are to be carried out by specialists. The safety regulations according to DIN/VDE/CEE/AFNOR and other regulations valid in the different countries are to be observed.

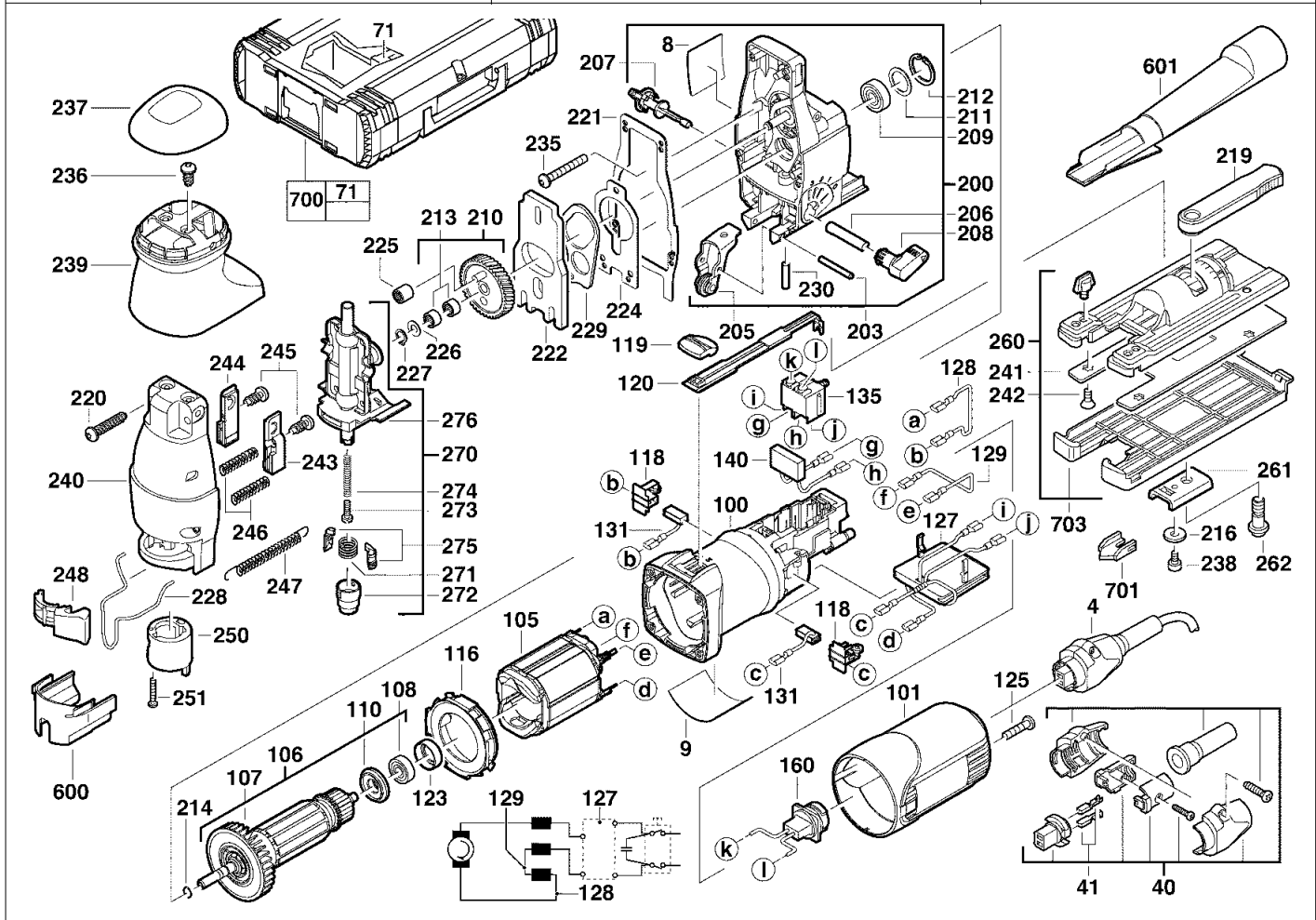
A & M Electric Tools

Jig Saws

Ind Product No.	Type	Voltage	Country
a 4000403333	FSPE110QX	220-240V	IN2

Ind Product No.	Type	Voltage	Country

Milwaukee			
FSPE 110 QX			
Exp.view No.	Version	Date	Page
4926 4033 34	0001	20.06.06	2/2



Pos	Index	Quanti	Article No.	Designation
0225	a.....	1	4931361376	NEEDLE BUSH
0226	a.....	1	4931621830	DISC
0227	a.....	1	4931605092	RING
0228	a.....	1	4931357982	WIRE STRAP
0229	a.....	1	4931357522	ROCKER BAR
0230	a.....	1	4931381112	CYLINDER PIN
0235	a.....	4	4931621515	SCREW
0236	a.....	2	4931623048	SCREW
0237	a.....	1	4931330272	BALL LID
0238	a.....	1	4931300699	SCREW
0239	a.....	1	4931330271	KNOB HANDLE
0240	a.....	1	4931381183	GEAR BOX COVER
0241	a.....	1	4931357605	SLIDE PLATE
0242	a.....	4	4931310396	SCREW
0243	a.....	1	4931357986	SLIDE BEARING
0244	a.....	1	4931357985	SLIDE BEARING
0245	a.....	2	4931317532	SCREW
0246	a.....	2	4931341759	PRESSURE SPRING
0247	a.....	1	4931330453	TENSION SPRING
0248	a.....	1	4931381159	SWITCH LEVER
0250	a.....	1	4931381158	INDEXING SLEEVE
0251	a.....	1	4931624172	SCREW

Pos	Index	Quanti	Article No.	Designation
0260	a.....	1	4931381623	GROUND PLATE
0261	a.....	1	4931357588	THRUST PIECE
0262	a.....	1	4931381124	SCREW
0270	a.....	1	4931357693	RAM
0271	a.....	1	4931330424	TORSION SPRING
0272	a.....	1	4931330494	COLLET
0273	a.....	1	4931623102	SCREW
0274	a.....	1	4931357686	PRESSURE SPRING
0275	a.....	2	4931330303	CENTERING JAW
0276	a.....	1	4931623091	SEAL RING
0600	a.....	1	4931357987	DUST CAP
0601	a.....	1	4931357983	SUCTION SLEEVE
0700	a.....	1	4932378986	CARRYING CASE
0701	a.....	1	4932357682	ANT-CHIPPING DEVICE
0703	a.....	1	4932357881	GUIDE SHOE

Repairs/modification and testing of electric power tools are to be carried out by specialists. The safety regulations according to DIN/VDE/CEE/AFNOR and other regulations valid in the different countries are to be observed.