

LISTA DE RECAMBIOS / SPARE PART LIST / LISTE DE PIECES DETACHEES

VERSION: V-2

POS	CODIGO	VERS	DENOMINACION	PART NAME	DENOMINATION
1	139219011		Cubierta motor	Housing	Couvercle moteur
2	135289112		Portaescobillas	Brush holder	Porte balais
3	139219041		Puño interruptor	Handle	Poignee
4	131129026		Estator 230V-110V	Field 230V-110V	Stator 230V-110V
5	130242611		Guia aire	Air guide	Guide d'air
6A	130129036	V-2	Inducido 230V 5Z	Armature 230V	Induit 230V
6B	130129034	V-2	Inducido 110V 5Z	Armature 110V	Induit 110V
7A	134109075		Escobilla de 6,3x12	Brush 6.3x12	Balais 6,3x12
7B	134109076		Escobilla automatica 6,3x12	Automatic brush 6,3x12	Automatic balai 6,3x12
9	139261061	V-2	Casquete rojo	Red cover	Rouge couvercle
10	101204231		Brida fijar cable	Clamp	Bride
11A	767554101		Cable red EU	Cable EU	Cable prise courant EU
11B	767503200		Cable red UK	Cable UK	Cable prise courant UK
12	134314181		Manguito	Sleeve	Manchon
13	130241311		Tapa rodamiento	Bearing cover	Roulement couvercle
14	138315001		Condensador 0,22MF	Condenser 0,22MF	Condensateur 0,22MF
15	712060855		Rodamiento 608-2RS	Bearing 608-2RS	Roulement 608-2RS
16	763276008		Interruptor mezclador rojo	Switch	Interrupteur
17	712020120		Rodamiento 6201-2RS	Bearing 6201-2RS	Roulement 6201-2RS
18	130121021		Plato mezclador	Plate	Plateau
19	844820048		Tornillo torx tp 4x16 ZNG	Screw torx tp 4x16	Vis torx tp 4x16
20	130243341		Chaveta 5x5x12mm	Pin 5x5x12mm	Baguette 5x5x12mm
21	134131601		Anillo goma rodamiento 608	Rubber ring 608	Bague caoutchouc 608
22	844830125		Tornillo torx tp 5x20	Screw tp 5x20	Vis tp 5x20
23	844830134		Tornillo torx tp 5x55	Screw tp 5x55	Vis tp 5x55
24	844820028		Tornillo torx tp 3,5x16	Screw tp 3,5x16	Vis tp 3,5x16
25	844315255		Tornillo torx M4x15	Screw M4x15	Vis M4x15
26	844830129	V-2	Tornillo torx tp 5x30	Screw tp 5x30	Vis tp 5x30
28	130121011		Cabezal (incl. Casquillo)	Headstock	Carter
29	712010200		Rodamiento 16002	Bearing 16002	Roulement 16002
30	130103621		Dolla tope	Sleeve	Bushing
31	712020248		Rodamiento 6202-2RSVVC1	Bearing 6202	Roulement 6202
32	875101015		Anillo seguridad 15mm	Ring 15mm	Aneau securité 15mm
33	130123011		Eje portabrocas	Chuck	Broche
34	130103181		Tapa cierre	Lock cover	Couvercle
35	130106751		Arandela apoyo	Washer	Rondelle
36	130103751		Reten	Joint	Reten
37	130123021		Rueda eje portabrocas con Dolla	Chuck spindle wheel	Roue proche porte-foret
38	130129282	V-2	Tren intermedio L=45,5mm 27Z	Intermediate gear group	Groupe engranages
39	130106991		Arandela compensación	Copensating joint	Rondelle
40A	763584059	V-2	Regulador 230V	Speed control 230V	Regulateur 230V
40B	763587069	V-2	Regulador 110V	Speed control 110V	Regulateur 110V
41	130103461		Anillo junta	Joint ring	Bague joint
42	131272181		Anillo tapagrasas izquierda	Ring	Bague
43	130241441		Junta papel	Joint	Joint
44	742107517		Anillo junta OR-75.92x1.78	Joint ring	Bague joint
46	134132251		Muelle escobillas	Brush spring	Ressort balai
47	876001035		Anillo seg. 35x1,5 DIN-472	Ring 35x1,5	Aneau 35x1,5
48	763889161		Anillo magnetico 6P-polos	Magnetic ring	Tacometric anneau
49	844810135		Tornillo torx tp 5x60	Screw tp 5x60	Vis tp 5x60
50	844820050		Tornillo torx tp 4x20	Screw tp 4x20	Vis tp 4x20
			ACCESORIOS	ACCESSORIES	ACCESSOIRES
105	928590201		F68102. Adaptador Varilla 5/8"-M14	Paddle adapter 5/8"-M14	Tiges adaptateur 5/8"-M14

freud

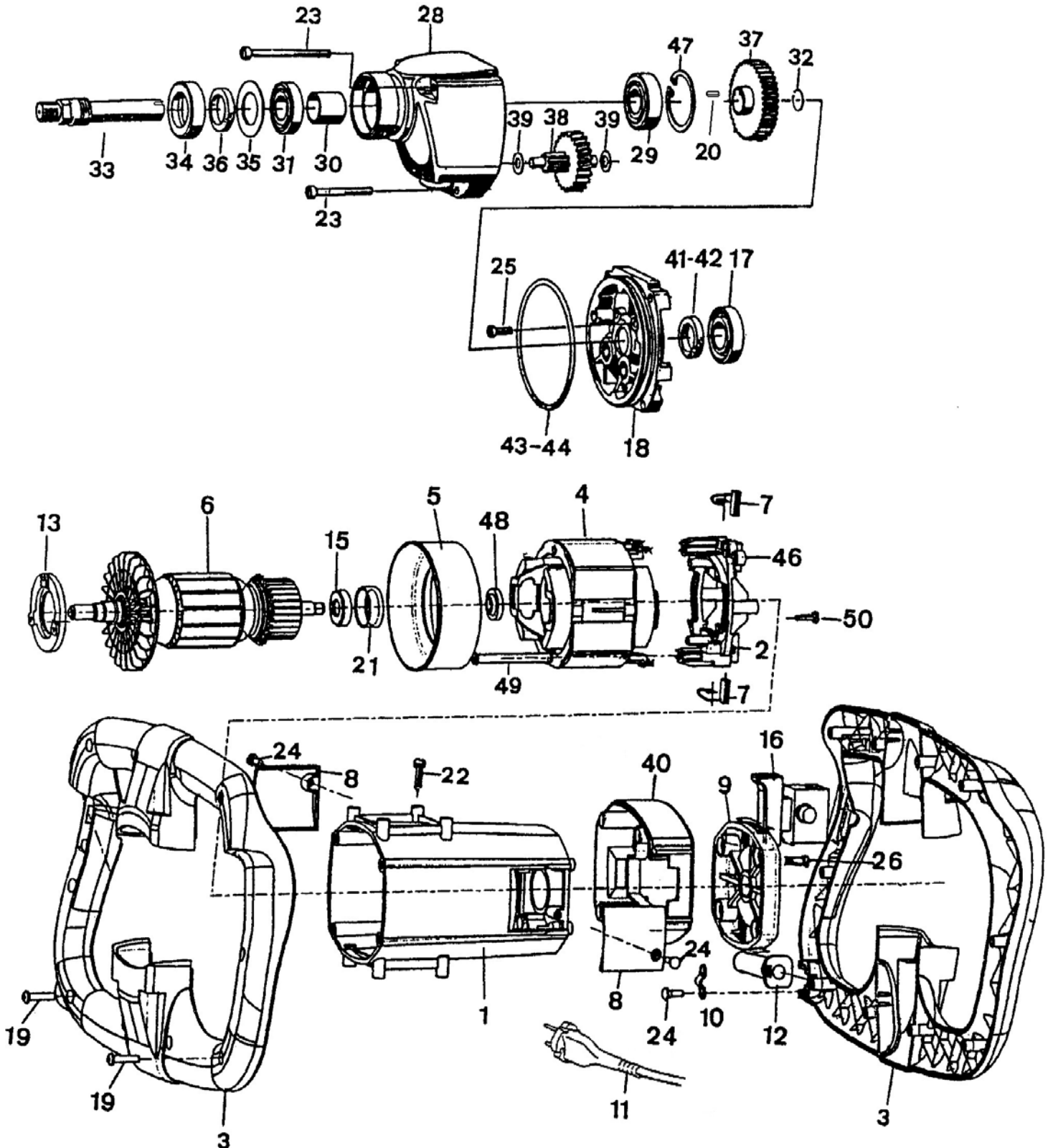
LISTA DE RECAMBIOS
SPARE LIST
LISTE DE RECHANGES

151

TALADRO MEZCLADOR
MIXER DRILL
PERCEUSE MELANGEUR

VERSIÓN: V-1-0

FM1000VCE

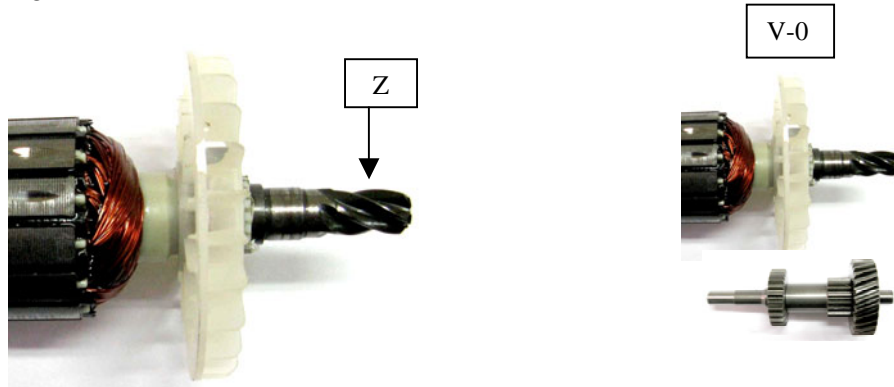


LISTA DE RECAMBIOS / SPARE PART LIST / LISTE DE PIECES DETACHEES

VERSION: V-1-0

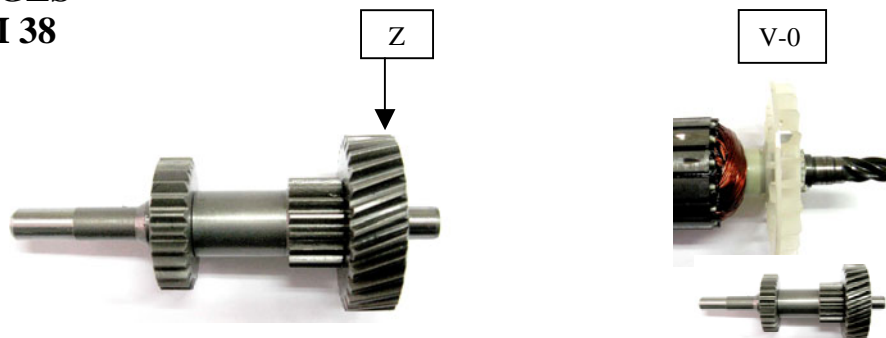
POS	CODIGO	VERS	DENOMINACION	PART NAME	DENOMINATION
1	139219011		Cubierta motor	Housing	Couvercle moteur
2	135289112		Portaescobillas	Brush holder	Porte balais
3	139219041		Puño interruptor	Handle	Poignee
4	131129026		Estator 230V-110V	Field 230V-110V	Stator 230V-110V
5	130242611		Guia aire	Air guide	Guide d'air
6A	130129036	V-1	Inducido 230V 5Z	Armature 230V	Induit 230V
6B	130129033	V-0	Grupo Inducido 230V 6Z+Tren interm.	Armature 230V Kit	Induit 230V Kit
6C	130129034	V-1	Inducido 110V 5Z	Armature 110V	Induit 110V
6D	130129031	V-0	Grupo Inducido 110V 6Z+Tren interm.	Armature 110V Kit	Induit 110V Kit
7A	134109075		Escobilla de 6,3x12	Brush 6.3x12	Balais 6,3x12
7B	134109076		Escobilla automatica 6,3x12	Automatic brush 6,3x12	Automatic balai 6,3x12
8	131201412	V-1-0	Tapa escobillas negra	Brush cover	Balais couvercle
9	131101062	V-1-0	Casquete rojo	Red cover	Rouge couvercle
10	101204231		Brida fijar cable	Clamp	Bride
11A	767554101		Cable red EU	Cable EU	Cable prise courant EU
11B	767503200		Cable red UK	Cable UK	Cable prise courant UK
12	134314181		Manguito	Sleeve	Manchon
13	130241311		Tapa rodamiento	Bearing cover	Roulement couvercle
14	138315001		Condensador 0,22MF	Condenser 0,22MF	Condensateur 0,22MF
15	712060855		Rodamiento 608-2RS	Bearing 608-2RS	Roulement 608-2RS
16	763276008		Interruptor mezclador rojo	Switch	Interrupteur
17	712020120		Rodamiento 6201-2RS	Bearing 6201-2RS	Roulement 6201-2RS
18	130121021		Plato mezclador	Plate	Plateau
19	844820048		Tornillo torx tp 4x16 ZNG	Screw torx tp 4x16	Vis torx tp 4x16
20	130243341		Chaveta 5x5x12mm	Pin 5x5x12mm	Baguette 5x5x12mm
21	134131601		Anillo goma rodamiento 608	Rubber ring 608	Bague caoutchouc 608
22	844830125		Tornillo torx tp 5x20	Screw tp 5x20	Vis tp 5x20
23	844830134		Tornillo torx tp 5x55	Screw tp 5x55	Vis tp 5x55
24	844820028		Tornillo torx tp 3,5x16	Screw tp 3,5x16	Vis tp 3,5x16
25	844315255		Tornillo torx M4x15	Screw M4x15	Vis M4x15
26	844830133	V-1-0	Tornillo torx tp 5x50	Screw tp 5x50	Vis tp 5x50
28	130121011		Cabezal (incl. Casquillo)	Headstock	Carter
29	712010200		Rodamiento 16002	Bearing 16002	Roulement 16002
30	130103621		Dolla tope	Sleeve	Bushing
31	712020248		Rodamiento 6202-2RSVVC1	Bearing 6202	Roulement 6202
32	875101015		Anillo seguridad 15mm	Ring 15mm	Aneau securité 15mm
33	130123011		Eje portabrocas	Chuck	Broche
34	130103181		Tapa cierre	Lock cover	Couvercle
35	130106751		Arandela apoyo	Washer	Rondelle
36	130103751		Reten	Joint	Reten
37	130123021		Rueda eje portabrocas con Dolla	Chuck spindle wheel	Roue proche porte-foret
38A	130129282	V-1	Tren intermedio L=45,5mm 27Z	Intermediate gear group	Goupe engranages
38B	130129033	V-0	Grupo Inducido 230V + Tren interm.	Int. gear gr.+ armature 230V	Goupe engr.+induit 230V
38C	130129031	V-0	Grupo Inducido 110V + Tren interm.	Int. gear gr.+ armature 110V	Goupe engr.+induit 110V
39	130106991		Arandela compensación	Copensing joint	Rondelle
40A	763584029	V-1-0	Regulador 230V	Speed control 230V	Regulateur 230V
40B	763587029	V-1-0	Regulador 110V	Speed control 110V	Regulateur 110V
41	130103461		Anillo junta	Joint ring	Bague joint
42	131272181		Anillo tapagrasas izquierda	Ring	Bague
43	130241441		Junta papel	Joint	Joint
44	742107517		Anillo junta OR-75.92x1.78	Joint ring	Bague joint
46	134132251		Muelle escobillas	Brush spring	Ressort balai
47	876001035		Anillo seg. 35x1,5 DIN-472	Ring 35x1,5	Aneau 35x1,5
48	763889161		Anillo magnetico 6P-polos	Magnetic ring	Tacometric aneau
49	844810135		Tornillo torx tp 5x60	Screw tp 5x60	Vis tp 5x60
50	844820050		Tornillo torx tp 4x20	Screw tp 4x20	Vis tp 4x20
			ACCESORIOS	ACCESSORIES	ACCESSOIRES
105	928590201		F68102. Adaptador Varilla 5/8"-M14	Paddle adapter 5/8"-M14	Tiges adaptateur 5/8"-M14

**INDUCIDO / ARMATURE / INDUIT
POS / ITEM 6**

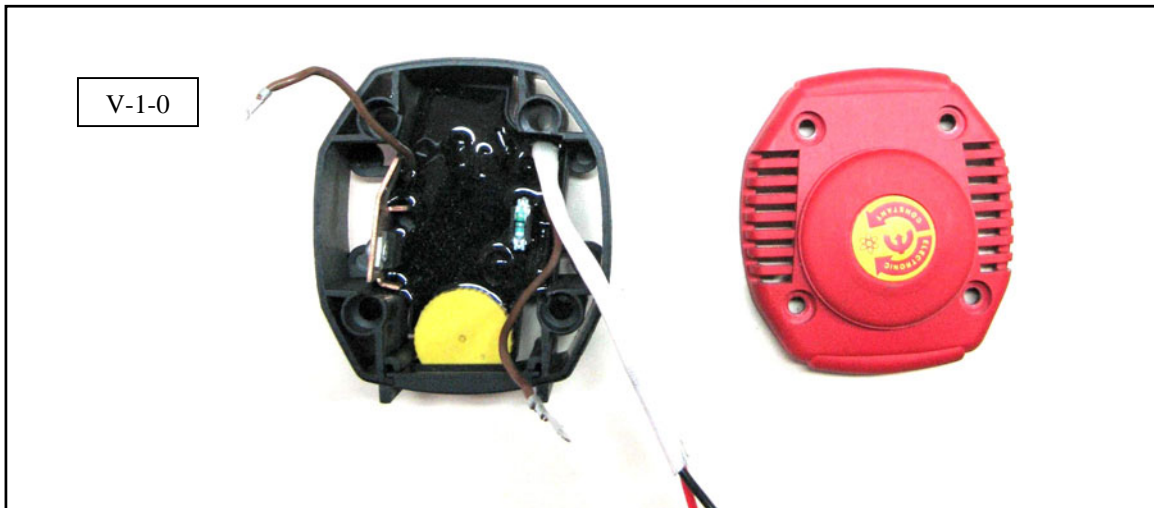
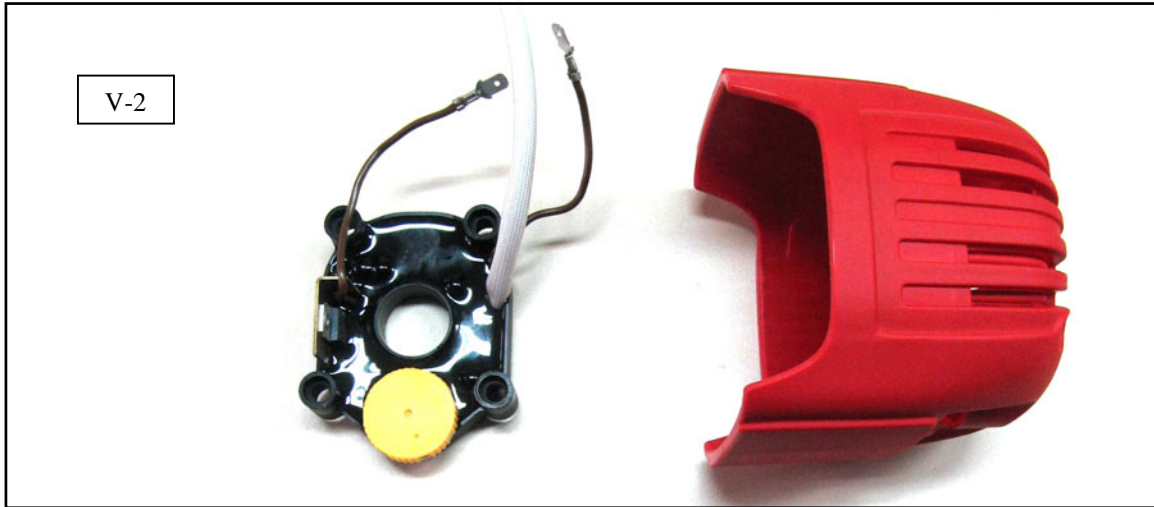


VERS.	CODIGO	Z	CARACT.
V-2-1	130129036	5	230V
V-0	130129033	6	230V (KIT)
V-2-1	130129034	5	110V
V-0	130129031	6	110V (KIT)

**TREN INTERMEDIO / INTERMEDIATE GEAR GROUP/ GROUPE
ENGRANAGES
POS / ITEM 38**



VERS.	CODIGO	Z	CARACT.
V-2-1	130129282	27	-
V-0	130129033	34	230V (KIT)
V-0	130129031	34	110V (KIT)



**CASQUETE / COVER / COUVERCLE
POS / ITEM 9**

VERS.	CODIGO
V-2	139261061
V-1-0	131101062

**REGULADOR / SPEED CONTROL / REGULATEUR
POS / ITEM 40**

VERS.	CODIGO	CARACT.
V-2	763584059	230V
V-1-0	763584029	230V
V-2	763587069	110V
V-1-0	763587029	110V