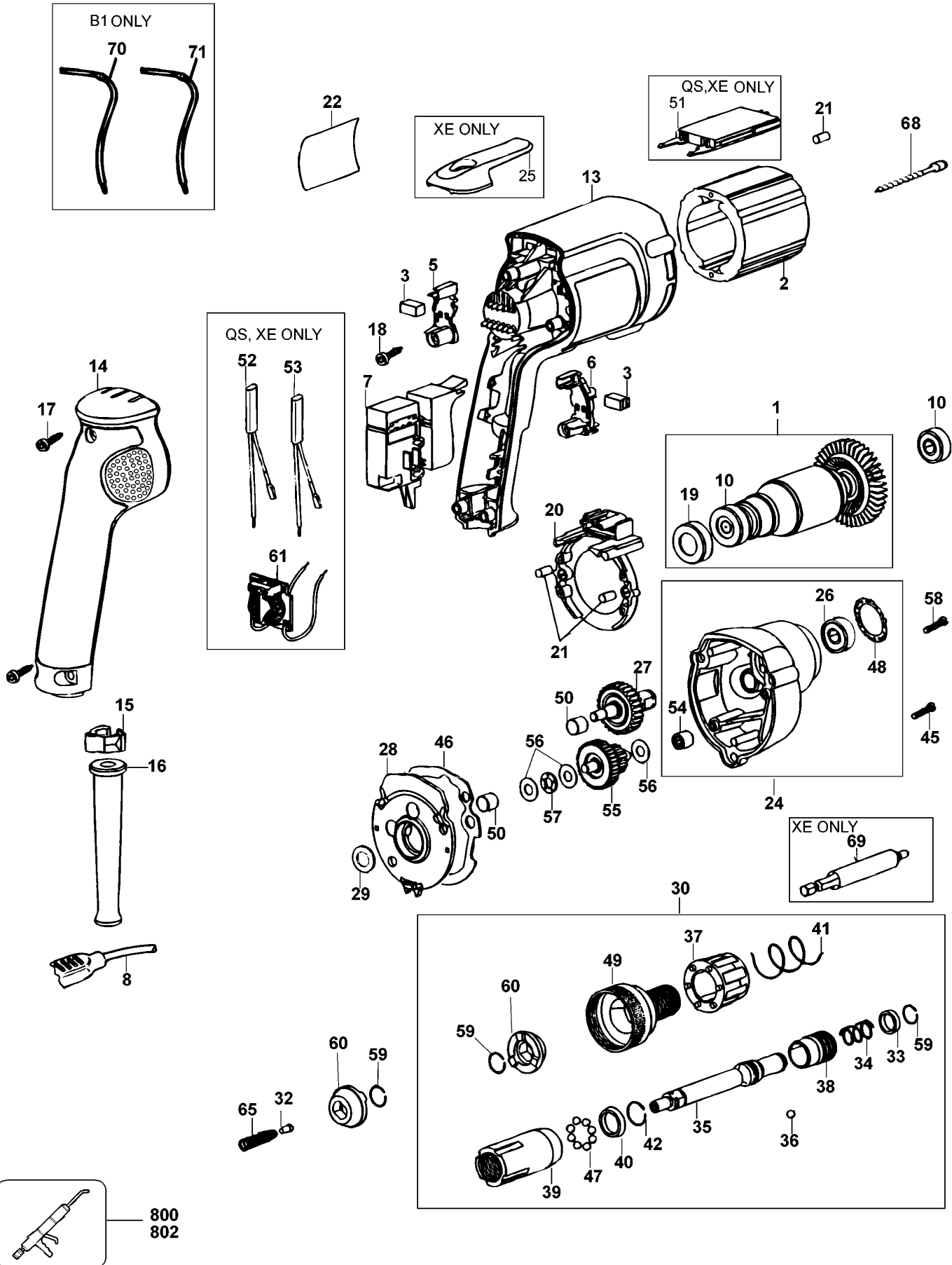


SCREWDRIVER

DW269K----C

TYPE 3



SCREWDRIVER

DW269K----C

TYPE 3



Item No	Qty	Part Number	Description	Part Price	Variants
1	1	579598-13	ARMATURE 230V		
2	1	579758-02	FIELD 230V		
3	2	176949-00	BRUSH		QS
5	1	176801-03	BRUSH HOLDER		
6	1	176800-03	BRUSH HOLDER		
7	1	580964-00	SWITCH		
8	1	330080-39	CORDSET (EURO)		QS
10	2	330003-04	BEARING		
13	1	396969-04	FIELD CASE		QS
14	1	176816-03	HANDLE COVER		
15	1	402648-00	CORD CLAMP		QS
16	1	330005-01	CORD PROTECTOR		
17	3	330019-13	SCREW		
18	2	330065-06	SCREW		
19	1	389824-00	BOOT		
20	1	176811-00	BAFFLE		
21	3	949638-02	DAMPER		
22	1	395047-00	BRAND LABEL		
24	1	176706-00	GEARCASE		QS
26	1	330003-09	BEARING		
27	1	176712-00	SPINDLE & GEAR		
28	1	388761-00	GEARCASE COVER		
29	1	23813-00	WASHER		
30	1	450556-00	NOSE SA		
32	1	21287-00	GUIDE		
33	1	90866-00	WASHER		
34	1	86134-00	SPRING		
35	1	450360-00	SPINDLE		
36	1	99047-01	BALL		
37	1	90639-02	COLLAR		
38	1	387451-00	RETAINER		
39	1	450555-00	STOP		
40	1	90596-00	SEAL		
41	1	87928-00	SPRING		
42	1	21360-00	RETAINER		
45	*1	330019-14	SCREW		
46	1	176655-00	GASKET		
47	8	903-00	BALL		
48	1	176689-00	RETAINER		QS
49	1	93105-01	HOUSING		
50	2	93128-00	BEARING NEEDLE		
51	1	176917-00	MODULE		QS
52	1	580555-00	CHOKE LEAD SA		QS
53	1	580555-01	CHOKE LEAD SA		QS
54	1	910560	BEARING		
55	1	176647-00	GEAR & PINION SA		
56	3	176732-00	WASHER		
57	1	143079-00	BEARING THRUST		
58	*2	330019-16	SCREW.TEMP		
59	2	89210-00	RETAINER		
60	2	400970-01	CLUTCH		
61	1	383714-00	ELECTRONIC		QS
65	1	86211-00	SPRING		
68	2	390198-00	SCREW		
800	1	761995-01	GREASE 180 GMS		
802	1	69542-00	GREASE		