

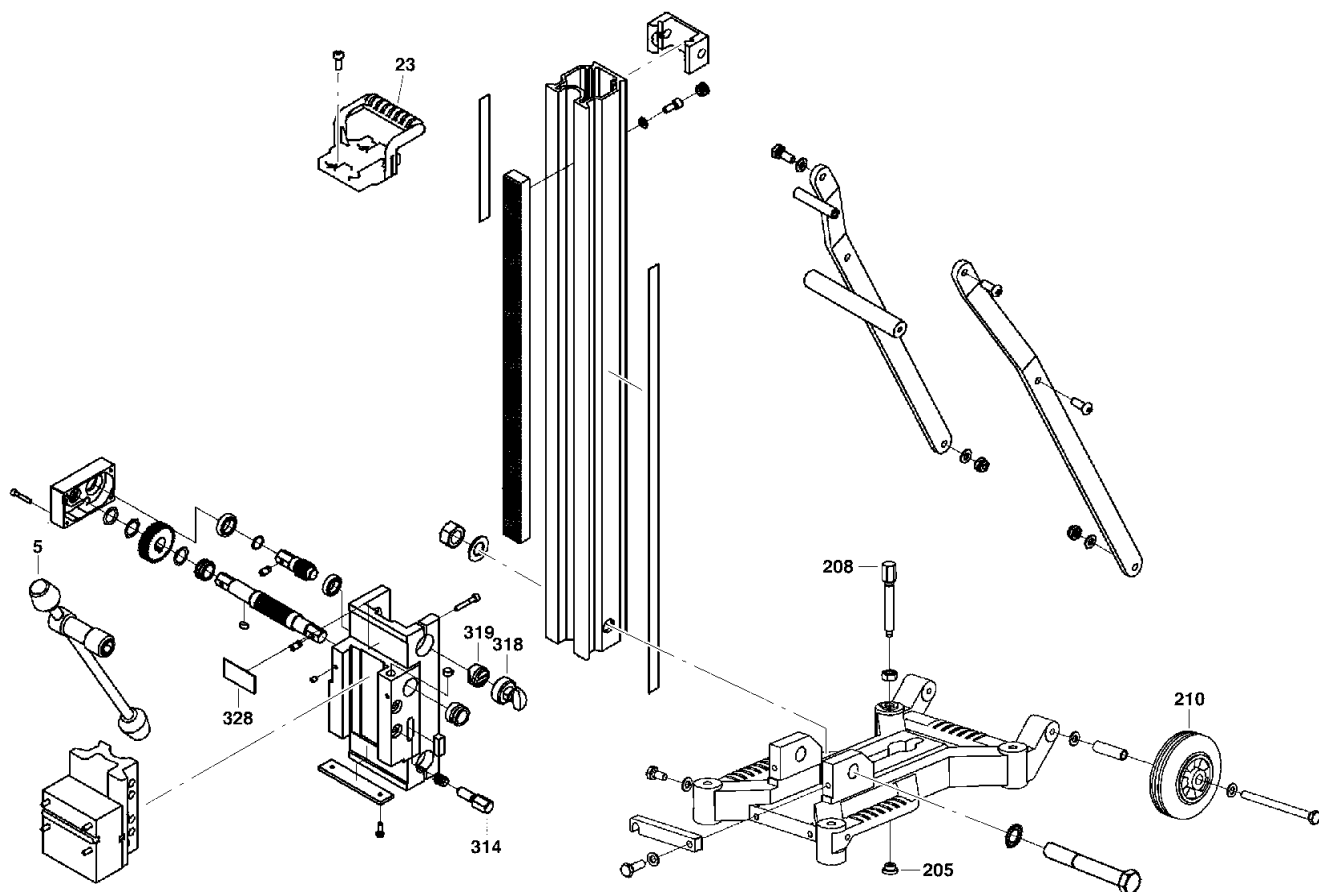
# A & M Electric Tools

# Drill accessories

|     |             |        |         |         |
|-----|-------------|--------|---------|---------|
| Ind | Product No. | Type   | Voltage | Country |
| a   | 4000400601  | DR350T |         | IN2     |

|     |             |      |         |         |
|-----|-------------|------|---------|---------|
| Ind | Product No. | Type | Voltage | Country |
|     |             |      |         |         |

|                 |         |          |      |
|-----------------|---------|----------|------|
| Milwaukee       |         |          |      |
| <b>DR 350 T</b> |         |          |      |
| Exp.view No.    | Version | Date     | Page |
| 4926 4006 05    | 0002    | 09.02.07 | 1/1  |



| Pos  | Index  | Quanti | Article No. | Designation   |
|------|--------|--------|-------------|---------------|
| 0005 | a..... | 1      | 4931400666  | SWITCH        |
| 0023 | a..... | 1      | 4931400681  | GRIP          |
| 0205 | a..... | 4      | 4931400639  | BASE PLATE    |
| 0208 | a..... | 4      | 4931400703  | LEVER         |
| 0210 | a..... | 2      | 4931400710  | WHEEL         |
| 0314 | a..... | 2      | 4931400650  | SCREW         |
| 0318 | a..... | 2      | 4931400652  | NUT           |
| 0319 | a..... | 4      | 4931400653  | GUIDE ELEMENT |
| 0328 | a..... | 1      | 4931400607  | RATING PLATE  |

| Pos | Index | Quanti | Article No. | Designation |
|-----|-------|--------|-------------|-------------|
|     |       |        |             |             |

Repairs/modification and testing of electric power tools are to be carried out by specialists. The safety regulations according to DIN/VDE/CEE/AFNOR and other regulations valid in the different countries are to be observed.