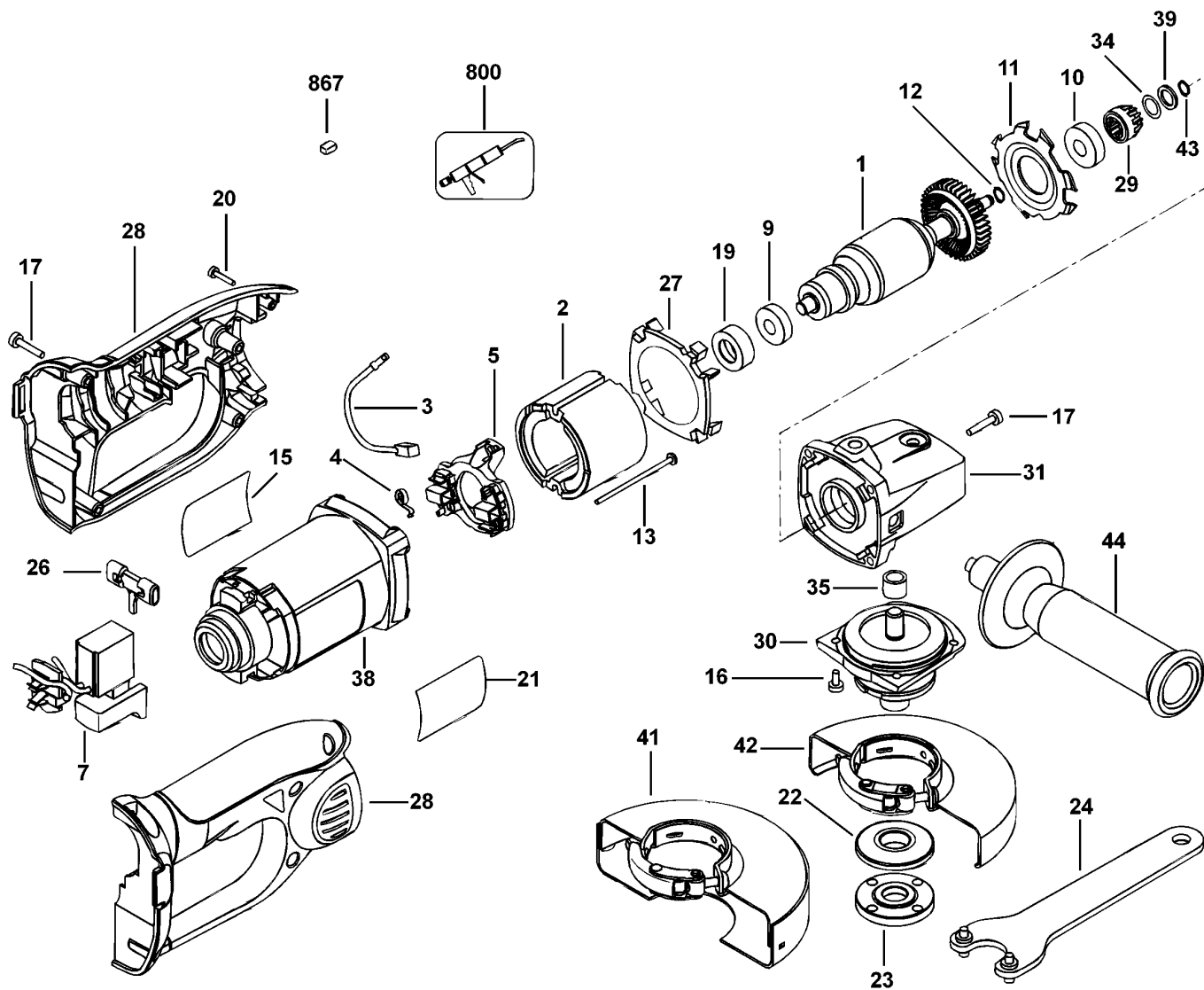


ANGLE GRINDER

DC410K----A

TYPE 1



867

800

861

ANGLE GRINDER

DC410K----A

TYPE 1



Item No	Qty	Part Number	Description	Part Price	Variants
1	1	389823-02	ARMATURE & FAN		
2	1	388232-01	MAGNET		
3	2	387558-02	BRUSH & LEAD		
4	2	445860-00	BRUSH SPRING		
5	1	382178-01	BRUSH FRAME		
7	1	391272-00	SWITCH SA		
9	* 1	330003-04	BEARING		
10	*1	330003-08	BEARING		
11	1	150057-00	RETAINER		
12	1	444793-00	CIRCLIP		
13	2	448269-00	SCREW		
15	1	395047-00	BRAND LABEL		
16	*4	146929-00	SCREW		
17	*8	330019-13	SCREW		
19	1	445217-02	SLEEVE		
20	*1	682211-00	SCREW		
21	1	650945-00	RATING PLATE		QW
22	1	391969-00	INNER FLANGE		
23	1	622613-01	OUTER FLANGE		
24	1	401680-00	WRENCH		
26	1	617327-00	LOCK BUTTON		
27	1	390181-00	BAFFLE		
28	*1	617400-00	CLAMSHELL SET		
29	1	152487-01	PINION		
30	1	617601-01	GEARCASE COVER		
31	1	150323-00	GEARCASE SA		
34	1	050050-00	RING		
35	1	36826-00	SLEEVE BEARING		
38	1	445857-08	FIELDCASE		
39	1	449559-00	WASHER		
41	1	643772-00	GUARD KIT		
42	1	397661-01	GUARD		
43	1	38751-00	RING		
44	1	149142-00	SIDE HANDLE		
800	1	283484-01	GREASE		
800	1	761995-01	GREASE 180 GMS		
861	1	617553-00	KITBOX		
867	1	608522-00	SAFETY CAP		