

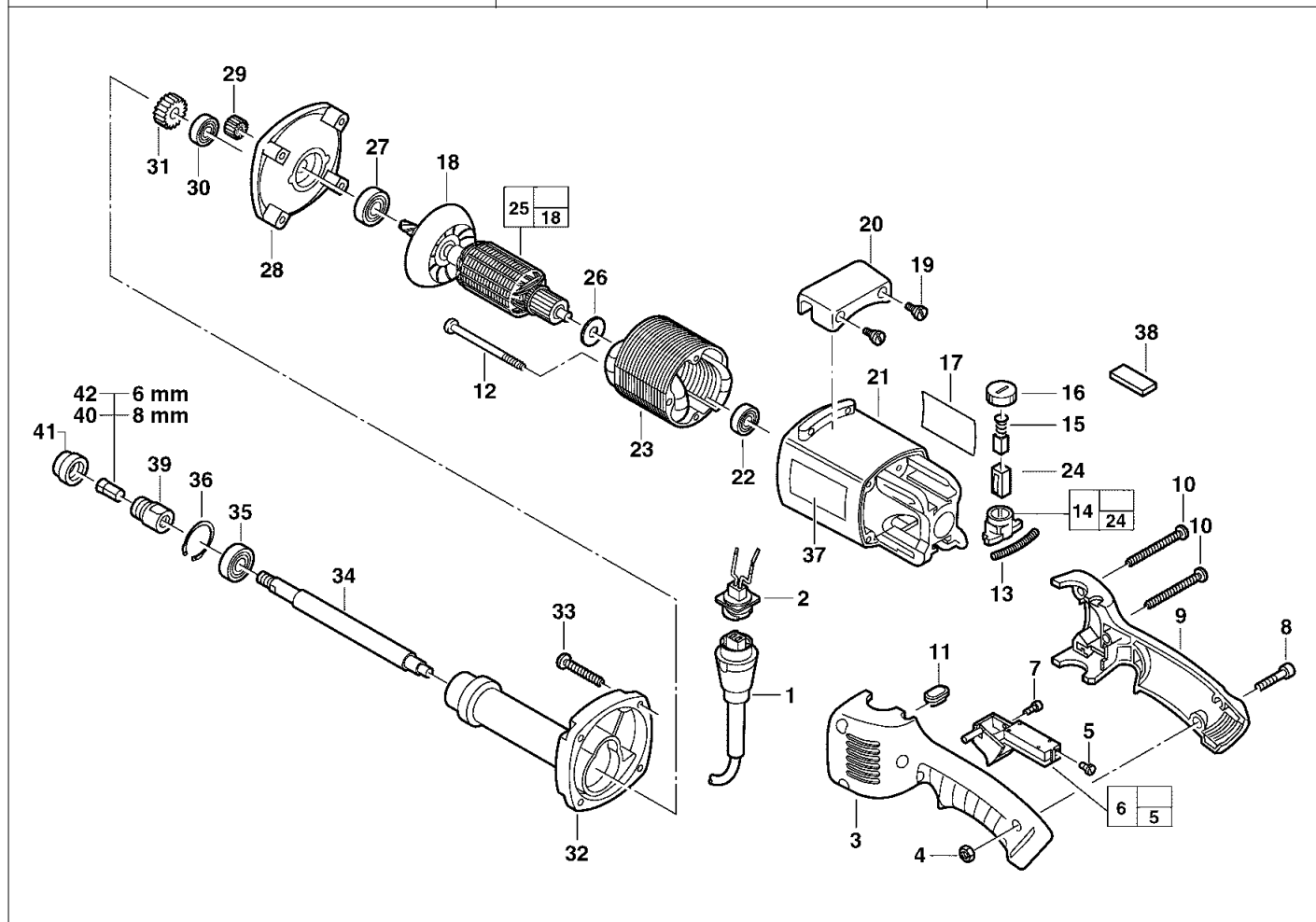
A & M Electric Tools

Various tools

| Ind | Product No. | Type | Voltage | Country |
|-----|-------------|----------|----------|---------|
| a | 4000385756 | DG14-50Q | 220-240V | IN2 |
| b | 4000385488 | DG14-50Q | 110V | GB1 |

| Ind | Product No. | Type | Voltage | Country |
|-----|-------------|------|---------|---------|
| | | | | |

| Milwaukee | | | |
|--------------|---------|----------|------|
| DG14-50Q | | | |
| Exp.view No. | Version | Date | Page |
| 4926 3857 57 | 0004 | 30.04.03 | 1/2 |



| Pos | Index | Quanti | Article No. | Designation | Pos | Index | Quanti | Article No. | Designation |
|------|---------|--------|-------------|------------------|------|---------|--------|-------------|--------------------|
| 0001 | a..... | 1 | 4931624171 | CONNECTION CABLE | 0020 | ab..... | 1 | 31700125 | TOOL |
| 0001 | .b..... | 1 | 22640677 | CONNECTION CABLE | 0021 | ab..... | 1 | 31500548 | HOUSING MOTOR SIDE |
| 0002 | a..... | 1 | 22560689 | LOCK | 0022 | ab..... | 1 | 02040845 | BALL BEARING |
| 0002 | .b..... | 1 | 22560675 | BLADE HOUSING | 0023 | a..... | 1 | 18560091 | ELECTRIC FIELD |
| 0003 | ab..... | 1 | 31441170 | HANDLE | 0023 | .b..... | 1 | 18501400 | ELECTRIC FIELD |
| 0004 | ab..... | 5 | 06551050 | NUT | 0024 | ab..... | 2 | 22200660 | BRUSH HOLDER INSUL |
| 0005 | ab..... | 4 | 05780305 | SCREW | 0025 | a..... | 1 | 16561140 | ARMATURE |
| 0006 | ab..... | 1 | 23661852 | SWITCH | 0025 | .b..... | 1 | 16501400 | ARMATURE |
| 0007 | ab..... | 1 | 06827409 | SCREW | 0026 | ab..... | 1 | 23161510 | ISOLATION |
| 0008 | ab..... | 3 | 06822568 | PIN | 0027 | ab..... | 1 | 02041515 | BALL |
| 0009 | ab..... | 1 | 31441175 | HANDLE | 0028 | ab..... | 1 | 28281567 | DIAPHRAGM |
| 0010 | ab..... | 2 | 06822598 | PIN | 0029 | ab..... | 1 | 32023020 | ARMATURE |
| 0011 | ab..... | 1 | 42380190 | GUARD | 0030 | ab..... | 1 | 02040910 | BALL |
| 0012 | ab..... | 2 | 06827375 | SCREW | 0031 | ab..... | 1 | 32753090 | SPINDLE GEAR |
| 0013 | ab..... | 2 | 40507770 | SPRING | 0032 | ab..... | 1 | 28506196 | BODY |
| 0014 | ab..... | 2 | 22221325 | BRUSH HOLDER | 0033 | ab..... | 4 | 06827407 | PIN |
| 0015 | a..... | 2 | 22180725 | CARBON BRUSH | 0034 | ab..... | 1 | 38505321 | SPINDLE |
| 0015 | .b..... | 2 | 22180680 | CARBON BRUSH | 0035 | ab..... | 1 | 02041745 | BALL BEARING |
| 0016 | ab..... | 2 | 23440210 | SCREW | 0036 | ab..... | 1 | 34802960 | RING |
| 0017 | ab..... | 1 | 12205196 | NAME PLATE | 0037 | ab..... | 1 | 10155196 | NAME PLATE |
| 0018 | ab..... | 1 | 22840710 | FAN | 0038 | ab..... | 1 | 22330535 | PULLER |
| 0019 | ab..... | 2 | 45040720 | SCREW | 0039 | ab..... | 1 | 48680050 | COLLET |

Repairs/modification and testing of electric power tools are to be carried out by specialists. The safety regulations according to DIN/VDE/CEE/AFNOR and other regulations valid in the different countries are to be observed.

A & M Electric Tools

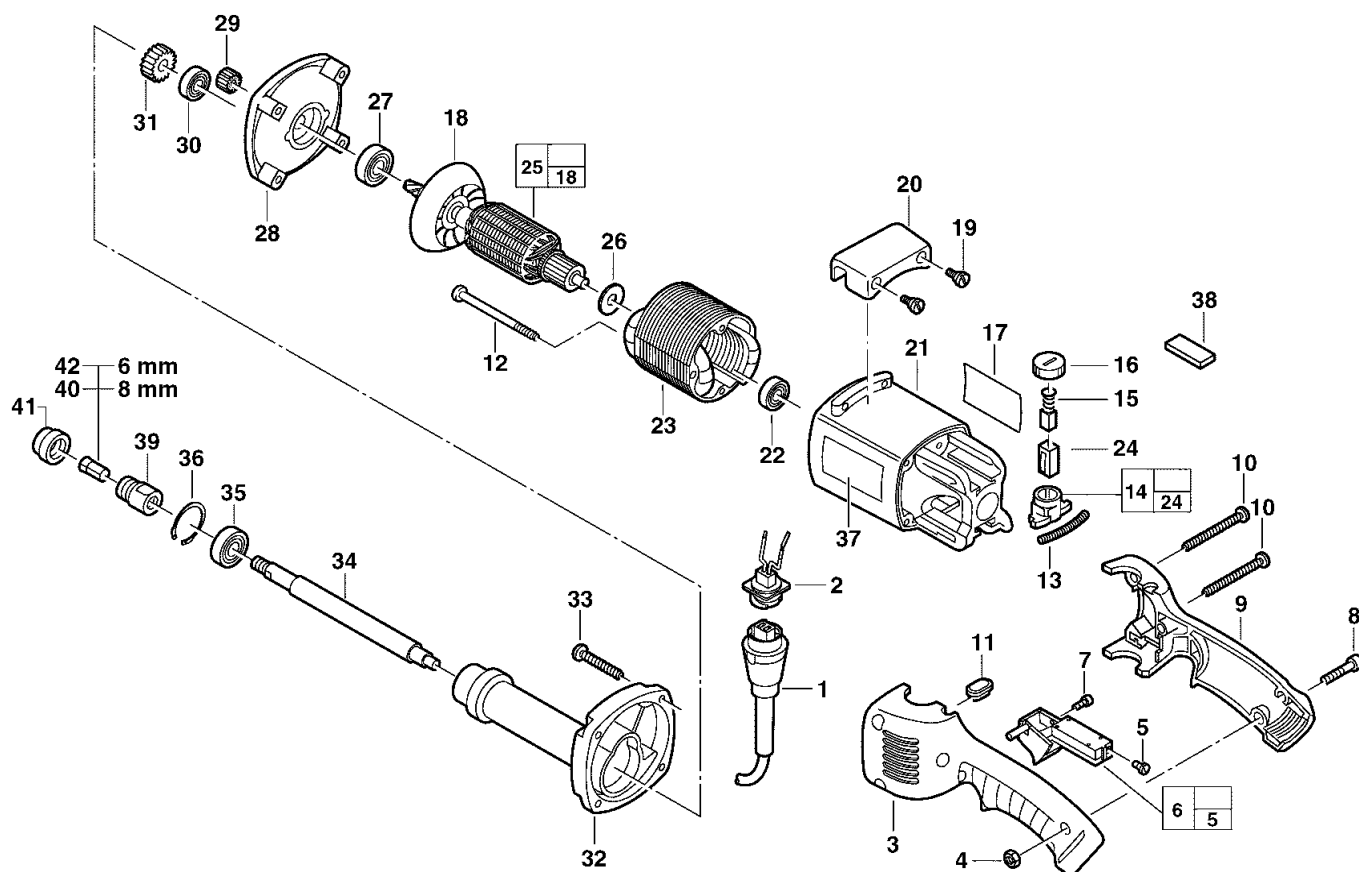
Various tools

| Ind | Product No. | Type | Voltage | Country |
|-----|-------------|----------|----------|---------|
| a | 4000385756 | DG14-50Q | 220-240V | IN2 |
| b | 4000385488 | DG14-50Q | 110V | GB1 |

| Ind | Product No. | Type | Voltage | Country |
|-----|-------------|------|---------|---------|
| | | | | |

Milwaukee
DG14-50Q

Exp.view No. Version Date Page
4926 3857 57 0004 30.04.03 2/2



| Pos | Index | Quanti | Article No. | Designation |
|------|---------|--------|-------------|-------------|
| 0040 | ab..... | 1 | 48660976 | COLLET |
| 0041 | ab..... | 1 | 44400471 | NUT |
| 0042 | ab..... | 1 | 48660978 | COLLET |

| Pos | Index | Quanti | Article No. | Designation |
|-----|-------|--------|-------------|-------------|
| | | | | |