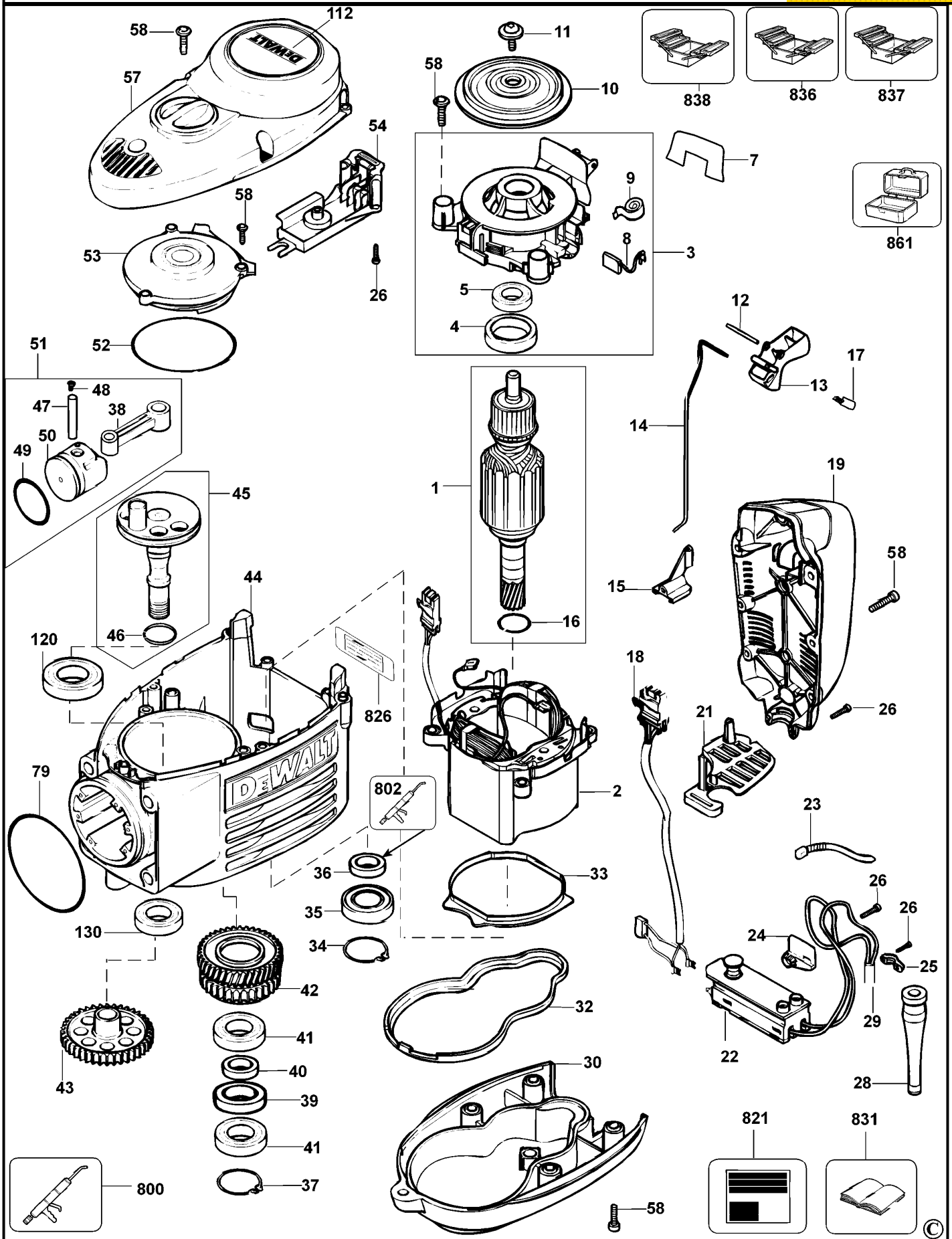


# DEMOLITION HAMMER

## D25900K---B

## TYPE 2



# DEMOLITION HAMMER

## D25900K---B

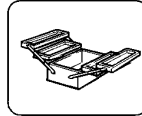
## TYPE 2



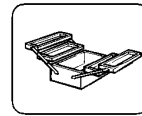
801



855

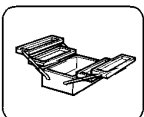
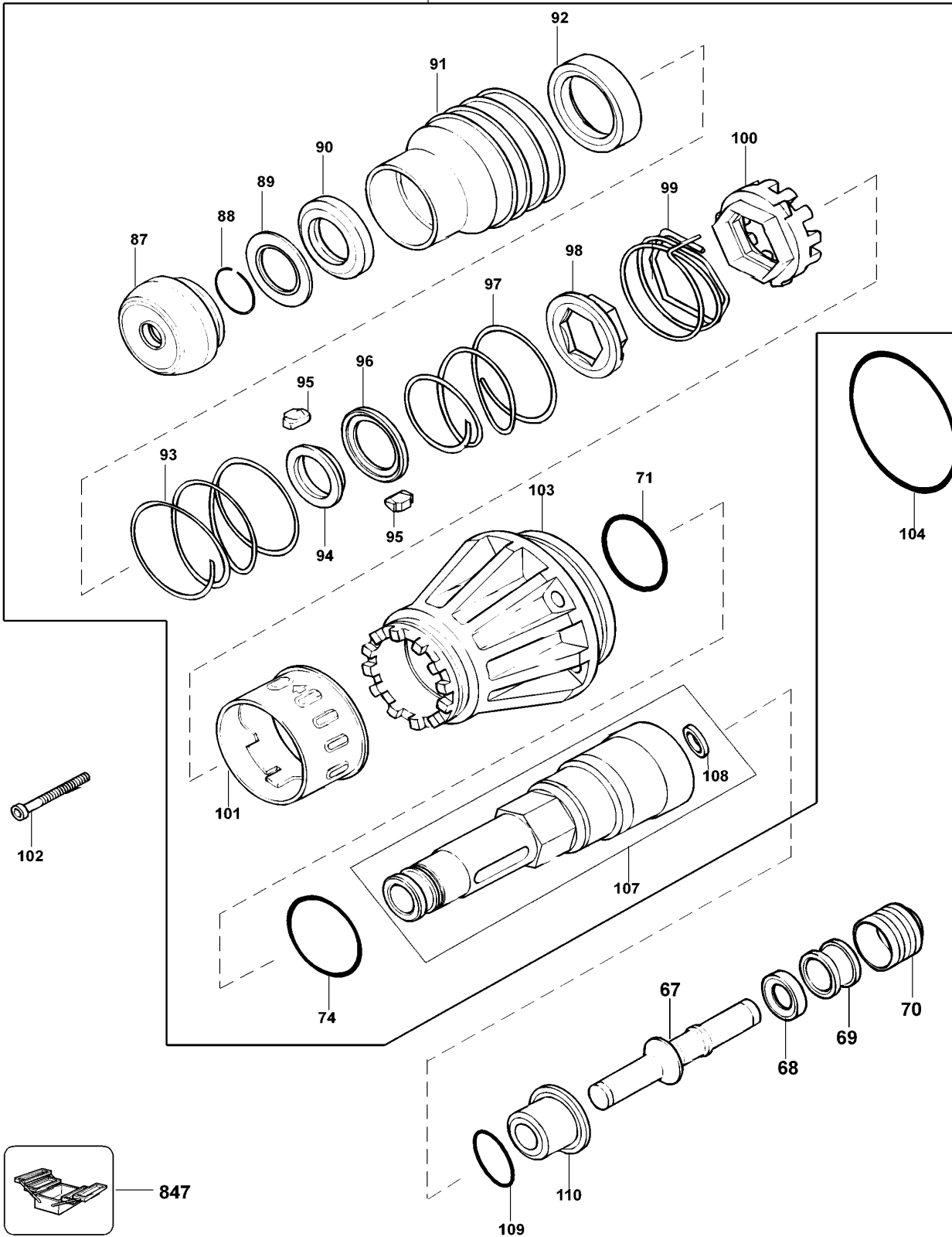


840



845

111



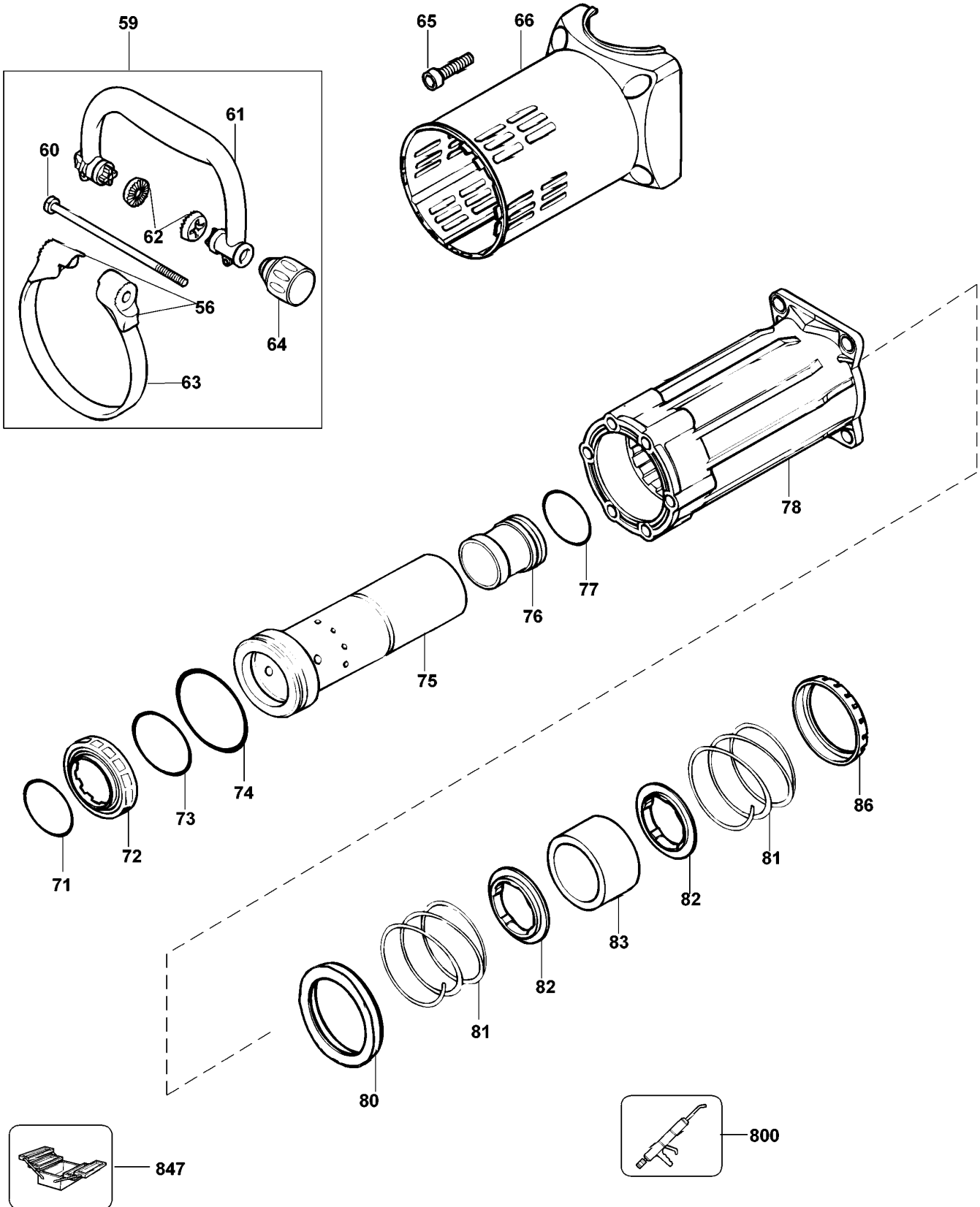
847

©

# DEMOLITION HAMMER

D25900K---B

TYPE 2



# DEMOLITION HAMMER

## D25900K---B

## TYPE 2



Item No	Qty	Part Number	Description	Part Price	Variants
1	1	579837-00	ARMATURE 230V		QS
2	* 1	579827-00	FIELD 230V		QS
3	1	487266-02	BRUSH HOLDER 230V		QS
4	1	590191-00	SLEEVE INSULATING		
5	1	577745-00	BEARING		
7	1	584366-00	SEAL		
8	1	588698-00	BRUSH KIT		QS
9	2	487377-00	BRUSH SPRING		
10	*1	487252-00	FAN SA		
11	1	324119-02	SCREW		
12	1	377374	PIN		
13	1	487276-00	TRIGGER		
14	1	487285-00	ROD		
15	1	487286-00	ACTUATOR		
16	*1	578450-00	RING		
17	2	326467-00	DETENT		
18	1	487326-00	LEAD SWITCH SA		QS
19	1	487275-00	HANDLE		
21	1	487388-00	COVER		
22	1	326087-01	SWITCH		
23	1	813244	TIE		
24	1	487378-00	BRACKET		
25	1	821070	CORD CLAMP		
26	7	330065-08	SCREW		
28	1	323091-01	CORD PROTECTOR		
29	1	582319-00	CORDSET (EURO)		QS
30	1	487271-00	COVER		
32	1	487224-00	SEAL		
33	1	576387-00	SEAL		
34	1	324821-04	CIRCLIP		
35	1	330003-70	BEARING		
36	1	487209-01	SEAL		
37	1	324821-03	CIRCLIP		
38	1	487234-00	CON ROD		
39	1	578452-00	SPACER		
40	1	578451-00	SPACER		
41	2	330003-67	BEARING		
42	1	579782-00	GEAR		
43	1	579783-00	GEAR		
44	*1	579772-00	GEARCASE SA		
45	1	579839-00	CRANKSHAFT		
46	1	576451-00	RING		
47	1	487208-00	PIN		
48	2	487228-00	KNOB		
49	1	487213-00	O RING		
50	1	579774-00	PISTON		
51	1	579779-01	PISTON KIT		
52	1	323711-47	O RING		
53	1	487352-01	COVER SA		
54	1	584376-06	ELECTRONIC 230V		QS
56	2	487284-00	WASHER CLAMP		
57	1	487344-00	MOTOR COVER		
58	23	324007-11	SCREW TORX		
59	1	584240-00	HANDLE SIDE SA		
60	1	487343-00	BOLT		
61	1	487277-00	HANDLE		
62	2	487278-00	WASHER		
63	1	487281-00	CLAMP		
64	1	487291-00	KNOB SA		

# DEMOLITION HAMMER

## D25900K---B

## TYPE 2



65	4	949886-32	SCREW	
66	1	487282-00	COVER HOUSING	
67	1	579832-00	BEAT PIECE	
68	1	487270-00	BUSH	
69	1	487288-00	DAMPER	
70	1	579786-00	BUSH	
71	2	487298-00	O RING	
72	1	487203-00	BUSH	
73	1	487297-00	O RING	
74	2	323711-41	O RING	
75	1	579770-00	CYLINDER SA	
76	1	579780-00	RAM	
77	1	487296-00	O RING	
78	1	579769-00	HOUSING FRONT	
79	1	323711-55	O RING	
80	1	487293-00	SPRING GUIDE	
81	2	487247-00	SPRING	
82	2	576488-00	SPRING GUIDE	
83	1	579781-00	COUNTERWEIGHT	
86	1	576489-00	SPRING GUIDE	
87	1	487238-01	SEAL	
88	1	487205-00	RING	
89	1	487241-00	WASHER	
90	1	487244-00	RUBBER	
91	1	487236-00	SLEEVE	
92	1	579784-00	LOCKING RING	
93	1	487218-00	SPRING	
94	1	487249-00	BUSH	
95	2	489672-00	KEY	
96	1	487240-00	BUSHING	
97	1	487216-00	SPRING	
98	1	487268-00	SPRING GUIDE	
99	1	487289-00	SPRING	
100	1	487267-00	SLEEVE SA	
101	1	487237-00	SLEEVE	
102	6	918825-02	SCREW	
103	1	579778-00	FLANGE	
104	1	323711-15	O RING	
107	1	579773-00	SPINDLE SA	
108	1	582275-01	SEAL	
109	1	487287-00	O RING	
110	1	579785-00	BEARING BUSH	
111	1	579771-00	HOLDER TOOL	
112	1	487392-00	LABEL	
120	1	330003-68	BEARING	
130	1	330003-69	BEARING	
800	†	578970-02	GREASE	
800	†	578970-01	GREASE 1KG	
801	†	328771-03	GREASE	
802	1	870889-02	GREASE 100 GMS	
821	1	569037-00	RATING PLATE	
826	1	487395-01	LABEL	
836	†	559617-99	SERVICE TOOL	
837	†	559618-99	SERVICE TOOL	
838	†	559621-99	SERVICE TOOL	
840	†	559619-99	SERVICE TOOL	
845	†	559620-99	SERVICE TOOL	
847	1	581016-00	SERVICE KIT 230V	QS
847	1	581015-02	SERVICE KIT 230V	QS
861	1	487353-00	KITBOX	