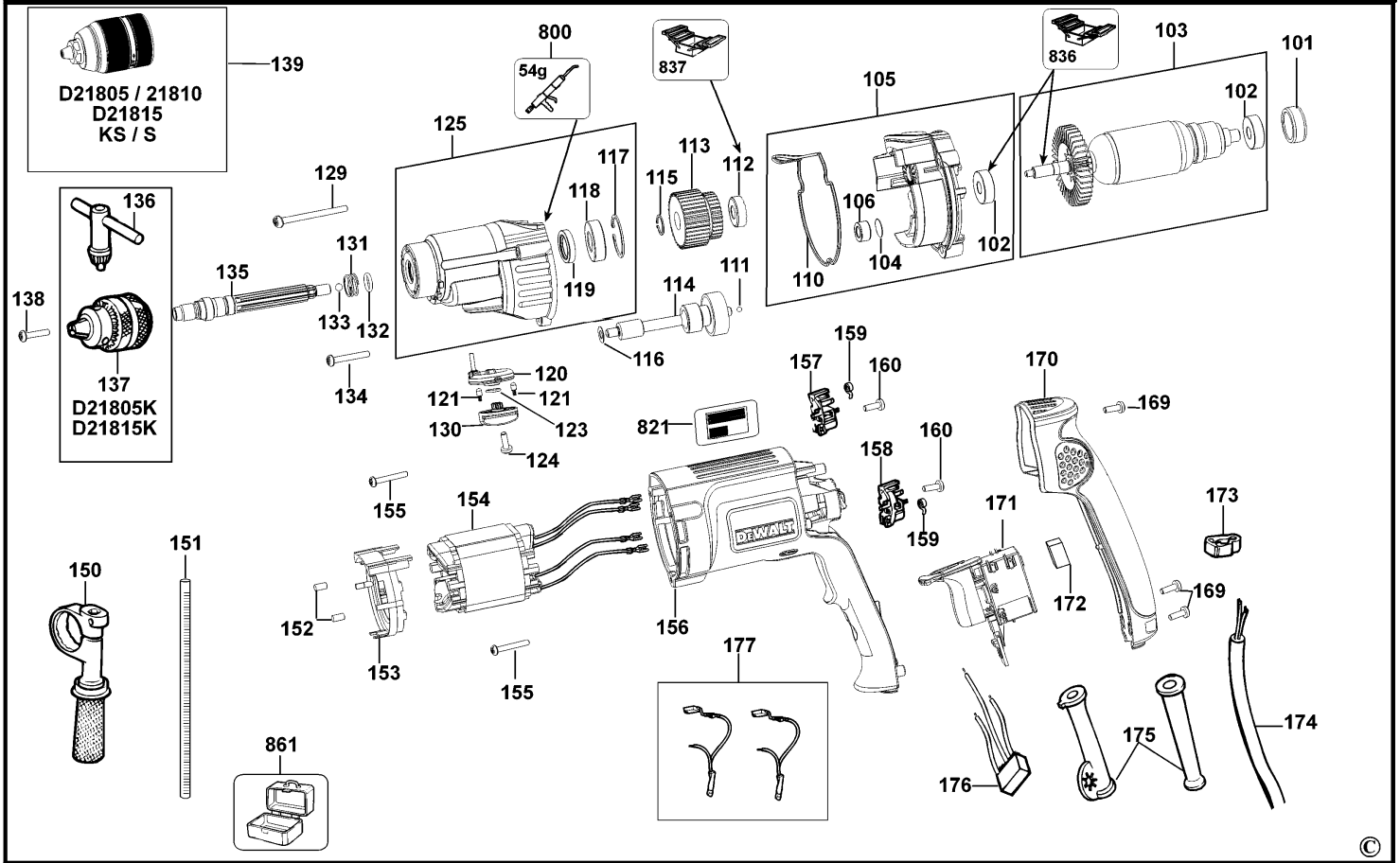


# DRILL

# D21805----A

# TYPE 1



# DRILL

# D21805----A

# TYPE 1



| Item No | Qty | Part Number | Description     | Part Price | Variants |
|---------|-----|-------------|-----------------|------------|----------|
| 101     | 1   | 389824-00   | BOOT            |            |          |
| 102     | 2   | 605040-08   | BEARING         |            |          |
| 103     | 1   | 494427-00   | ARMATURE 230V   |            | QS       |
| 104     | 1   | 931284      | WASHER THRUST   |            |          |
| 105     | 1   | 494623-00   | GEARCASE SA     |            |          |
| 106     | 1   | 330004-20   | BEARING NEEDLE  |            |          |
| 110     | 1   | 488148-00   | SEAL            |            |          |
| 111     | 1   | 903-00      | BALL            |            |          |
| 112     | 1   | 945706-00   | RATCHET         |            |          |
| 113     | 1   | 494626-00   | GEAR            |            |          |
| 114     | 1   | 494627-00   | INTERSHAFT SA   |            |          |
| 115     | 1   | 479369-00   | CIRCLIP         |            |          |
| 116     | 1   | 492481-00   | WASHER          |            |          |
| 117     | 1   | 488147-00   | CIRCLIP         |            |          |
| 118     | 1   | 605040-25   | BEARING,BALL    |            |          |
| 119     | 1   | 939611-00   | RING            |            |          |
| 120     | 1   | 479859-00   | SELECTOR SA     |            |          |
| 121     | 2   | 326467-00   | DETENT          |            |          |
| 123     | 1   | 323711-34   | O RING          |            |          |
| 124     | 1   | 330065-22   | SCREW           |            |          |
| 125     | 1   | 494628-00   | GEARCASE        |            |          |
| 129     | 2   | 330019-30   | SCREW           |            |          |
| 130     | 1   | 479865-00   | KNOB            |            |          |
| 131     | 1   | 931890      | SPRING          |            |          |
| 132     | 1   | 323711-34   | O RING          |            |          |
| 133     | 1   | 917725      | BALL            |            |          |
| 134     | 1   | 330019-16   | SCREW.TEMP      |            |          |
| 135     | 1   | 494630-00   | SPINDLE         |            |          |
| 136     | 1   | 330034-08   | CHUCK KEY       |            |          |
| 137     | 1   | 584925-00   | CHUCK 13MM      |            |          |
| 138     | 1   | 490910-00   | SCREW           |            |          |
| 139     | 1   | 586200-11   | CHUCK KEYLESS   |            |          |
| 150     | 1   | 939794-02   | HANDLE SIDE SA  |            |          |
| 151     | 1   | 580787-00   | DEPTH STOP      |            |          |
| 152     | 2   | 949638-02   | DAMPER          |            |          |
| 153     | 1   | 176811-00   | BAFFLE          |            |          |
| 154     | 1   | 494631-00   | FIELD 230V      |            | QS       |
| 155     | 2   | 390198-00   | SCREW           |            |          |
| 156     | 1   | 478814-00   | FIELD CASE      |            |          |
| 157     | 1   | 401878-02   | BRUSH HOLDER SA |            |          |
| 158     | 1   | 401877-02   | BRUSH HOLDER SA |            |          |
| 159     | 2   | 402759-01   | BRUSH SPRING    |            |          |
| 160     | 2   | 330065-06   | SCREW           |            |          |
| 169     | 3   | 330019-13   | SCREW           |            |          |
| 170     | 1   | 488142-00   | HANDLE COVER    |            |          |
| 171     | 1   | 494635-00   | SWITCH 240V     |            | QS       |
| 172     | 1   | 930026-01   | BUMPER          |            |          |
| 173     | 1   | 402648-00   | CORD CLAMP      |            |          |
| 174     | 1   | 330080-39   | CORDSET (EURO)  |            | QS       |
| 175     | 1   | 401751-00   | CORD PROTECTOR  |            |          |
| 176     | 1   | 585292-03   | CAPACITOR       |            |          |
| 177     | 1   | 578393-02   | BRUSH KIT       |            | QS       |
| 800     | 1   | 870889-02   | GREASE 100 GMS  |            |          |
| 836     | †   | 559666-99   | SERVICE TOOL    |            |          |
| 837     | 1   | 559596-99   | SERVICE TOOL    |            |          |
| 861     | 1   | 577646-01   | KITBOX          |            |          |