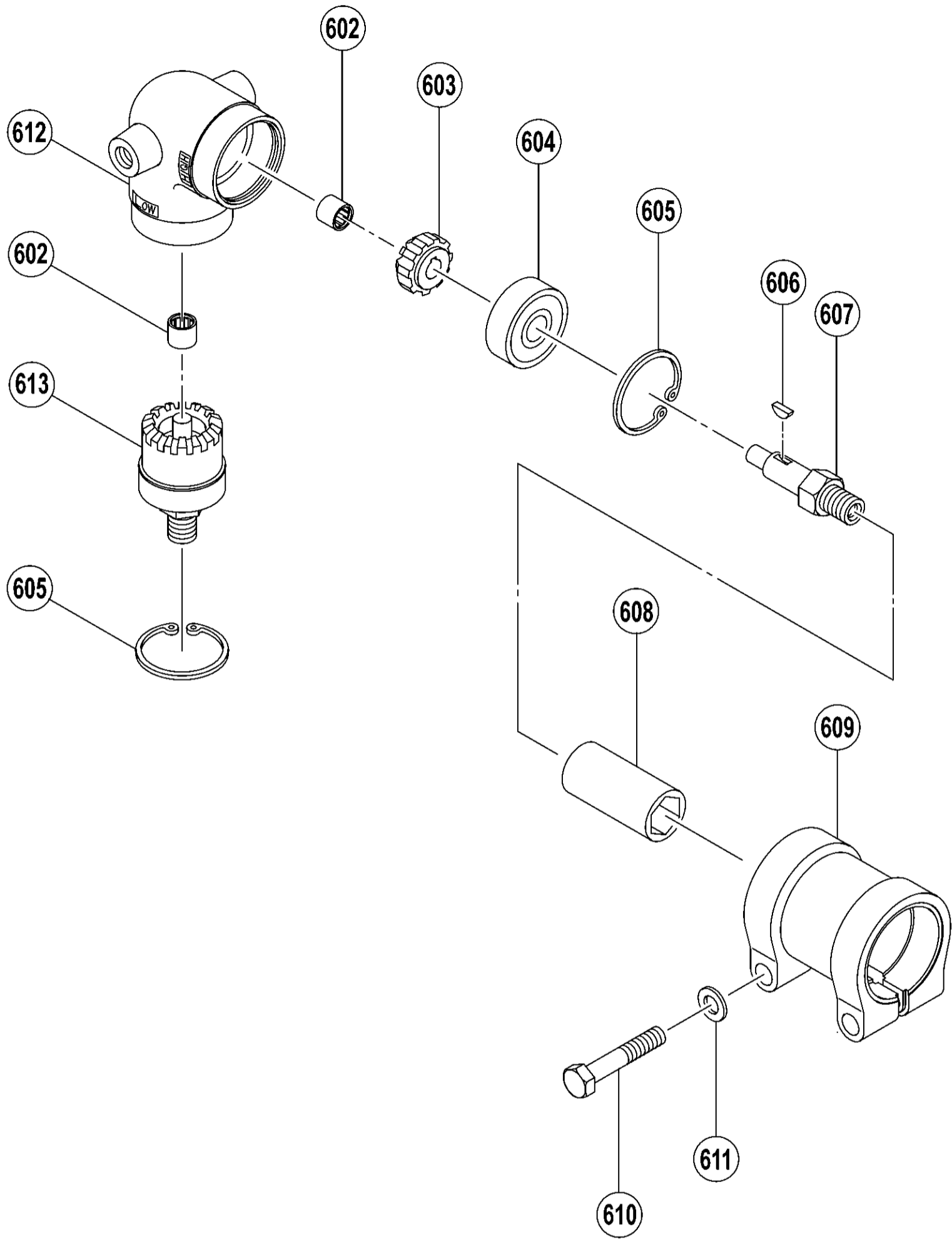


形 名
D13VF(1/2)





13MM DRILL D 13VF

| Item No. | Code No. | Description | No. used | Remarks |
|----------|----------|---|----------|---------------------------------------|
| 1 | 311959 | SPECIAL SCREW (LEFT HAND) M6X23 | 1 | |
| 2 | 319527 | CHUCK WRENCH 13VLR-J | 1 | |
| 3 | 950288 | VINYL BAND | 1 | |
| *4 | 319303 | DRILL CHUCK 13VLR-J | 1 | INCLUD.2 |
| *4 | 319304 | DRILL CHUCK 13VLRD-N (W/O CHUCK WRENCH) | 1 | |
| 5 | 319346 | SPINDLE (A) | 1 | |
| 6 | 948001 | RETAINING RING FOR D32 HOLE | 1 | |
| 7 | 6002VV | BALL BEARING 6002VVCMP2L | 1 | |
| 8 | 939544 | RETAINING RING FOR D15 SHAFT (10 PCS.) | 1 | |
| 9 | 305701 | TAPPING SCREW (W/FLANGE) D5X60 | 2 | |
| 10 | 319345 | GEAR COVER (A) | 1 | |
| 11 | 627VVM | BALL BEARING 627VVC2PS2L | 1 | |
| 12 | 319299 | FINAL GEAR | 1 | |
| 13 | 319547 | SECOND PINION (B) | 1 | |
| 14 | 319544 | FIRST GEAR | 1 | |
| 15 | 606ZZM | BALL BEARING 606ZZC2PS2L | 1 | |
| 16 | 316458 | TAPPING SCREW D5X40 (BLACK) | 1 | |
| 17 | 319344 | INNER COVER | 1 | |
| 18 | 608DDM | BALL BEARING 608DDC2PS2L | 1 | |
| 19 | 360543U | ARMATURE ASS'Y 110V-120V | 1 | INCLUD.18,23,24 |
| *19 | 360543E | ARMATURE 220V-230V | 1 | |
| *19 | 360543F | ARMATURE 240V | 1 | |
| 20 | 319329 | FAN GUIDE | 1 | |
| 21 | 981421 | HEX. HD. TAPPING SCREW D4X55 | 2 | |
| 22 | 340494C | STATOR 120V | 1 | |
| *22 | 340486D | STATOR 110V | 1 | |
| *22 | 340504E | STATOR 230V-240V | 1 | |
| 23 | 982631 | WASHER (A) | 1 | |
| 24 | 608VVM | BALL BEARING 608VVC2PS2L | 1 | |
| 25 | 319328 | HOUSING | 1 | |
| 26 | | NAME PLATE | 1 | |
| 27 | 319331 | HANDLE (B) | 1 | |
| 28 | 303694 | TAPPING SCREW (W/FLANGE) D4X35 (BLACK) | 2 | |
| 29 | 301653 | TAPPING SCREW (W/FLANGE) D4X20 (BLACK) | 1 | |
| 30 | 319332 | GRIP COVER | 1 | |
| 31 | 319337 | SCREW (PLASTIC TIE) D4X25 | 2 | |
| 32 | | HITACHI LABEL | 1 | |
| 33 | 319330 | HANDLE (A) | 1 | |
| 34 | 955203 | BRUSH HOLDER | 2 | |
| 35 | 319341 | INTERNAL WIRE (BLUE) 86L | 1 | FOR USA,CAN,MEX |
| *35 | 320204 | CHOKE COIL (BLUE) 110V | 1 | FOR GBR (110V) |
| *35 | 320197 | CHOKE COIL (BLUE) 220V-240V | 1 | FOR AUS,NZL,EUROPE |
| 36 | 999041 | CARBON BRUSH (1 PAIR) | 2 | |
| 37 | 319340 | INTERNAL WIRE (BROWN) 86L | 1 | FOR USA,CAN,MEX |
| *37 | 320203 | CHOKE COIL (BROWN) 110V | 1 | FOR GBR (110V) |
| *37 | 320196 | CHOKE COIL (BROWN) 220V-240V | 1 | FOR AUS,NZL,EUROPE |
| 38 | 316166 | PUSHING BUTTON | 1 | |
| 39 | 319302 | SWITCH (1P SCREW TYPE) W/LOCK | 1 | FOR USA,CAN,MEX |
| *39 | 319339 | SWITCH (1P SCREW TYPE) W/LOCK | 1 | FOR GBR (110V) |
| *39 | 320195 | SWITCH (1P SCREW TYPE) W/LOCK | 1 | FOR AUS,NZL,EUROPE |
| 40 | 984750 | TAPPING SCREW (W/FLANGE) D4X16 | 2 | |
| 41 | 937631 | CORD CLIP | 1 | |
| 42 | 981373 | TUBE (D) | 2 | FOR CORD |
| 43 | 953327 | CORD ARMOR D8.8 | 1 | FOR CORD |
| 44 | 500240Z | CORD | 1 | (CORD ARMOR D8.8) FOR USA,CAN,MEX |
| *44 | 500439Z | CORD | 1 | (CORD ARMOR D8.8) FOR AUS,NZL |
| *44 | 500461Z | CORD | 1 | (CORD ARMOR D8.8) FOR GBR (110V) |
| *44 | 500435Z | CORD | 1 | (CORD ARMOR D8.8) FOR GBR (230V) |
| *44 | 500247Z | CORD | 1 | (CORD ARMOR D8.8) FOR NOR,DEN,SWE,FIN |
| *44 | 500409Z | CORD | 1 | (CORD ARMOR D8.8) FOR EUROPE |
| *44 | 500447Z | CORD | 1 | (CORD ARMOR D8.8) FOR SUI |
| 45 | 320198 | NOISE SUPPRESSOR | 1 | EXCEPT FOR USA,CAN |

| STANDARD ACCESSORIES | | | | |
|----------------------|--------|-----------------------------|---|----------------|
| 501 | 981205 | SIDE HANDLE FOR M10 | 1 | |
| 502A | 319543 | CASE | 1 | |
| 503 | 319550 | HANDLE JOINT | 1 | FOR AUS |
| OPTIONAL ACCESSORIES | | | | |
| 601 | 319528 | ANGLE ATTACHMENT ASS'Y | 1 | INCLUD.603-614 |
| 602 | 670714 | NEEDLE BEARING (HK0810) | 2 | |
| 603 | 986149 | PINION | 1 | |
| 604 | 6301VV | BALL BEARING 6301VVCMP2L | 1 | |
| 605 | 986147 | RETAINING RING FOR D37 HOLE | 2 | |
| 606 | 932819 | WOODRUFF KEY 3X10 | 1 | |
| 607 | 986146 | SPINDLE | 1 | |
| 608 | 986143 | COUPLING | 1 | |
| 609 | 986142 | JOINT SLEEVE | 1 | |
| 610 | 949632 | BOLT M8X45 (10 PCS.) | 2 | |
| 611 | 949426 | WASHER M8 (10 PCS.) | 2 | |
| 612 | 986144 | ANGLE HEAD ASS'Y | 1 | INCLUD.602 |
| 613 | 986156 | SPINDLE AND GEAR SET | 1 | |
| 614 | 949168 | WRENCH 13/17MM | 1 | |
| 615 | 317676 | HOOK (A) | 1 | |