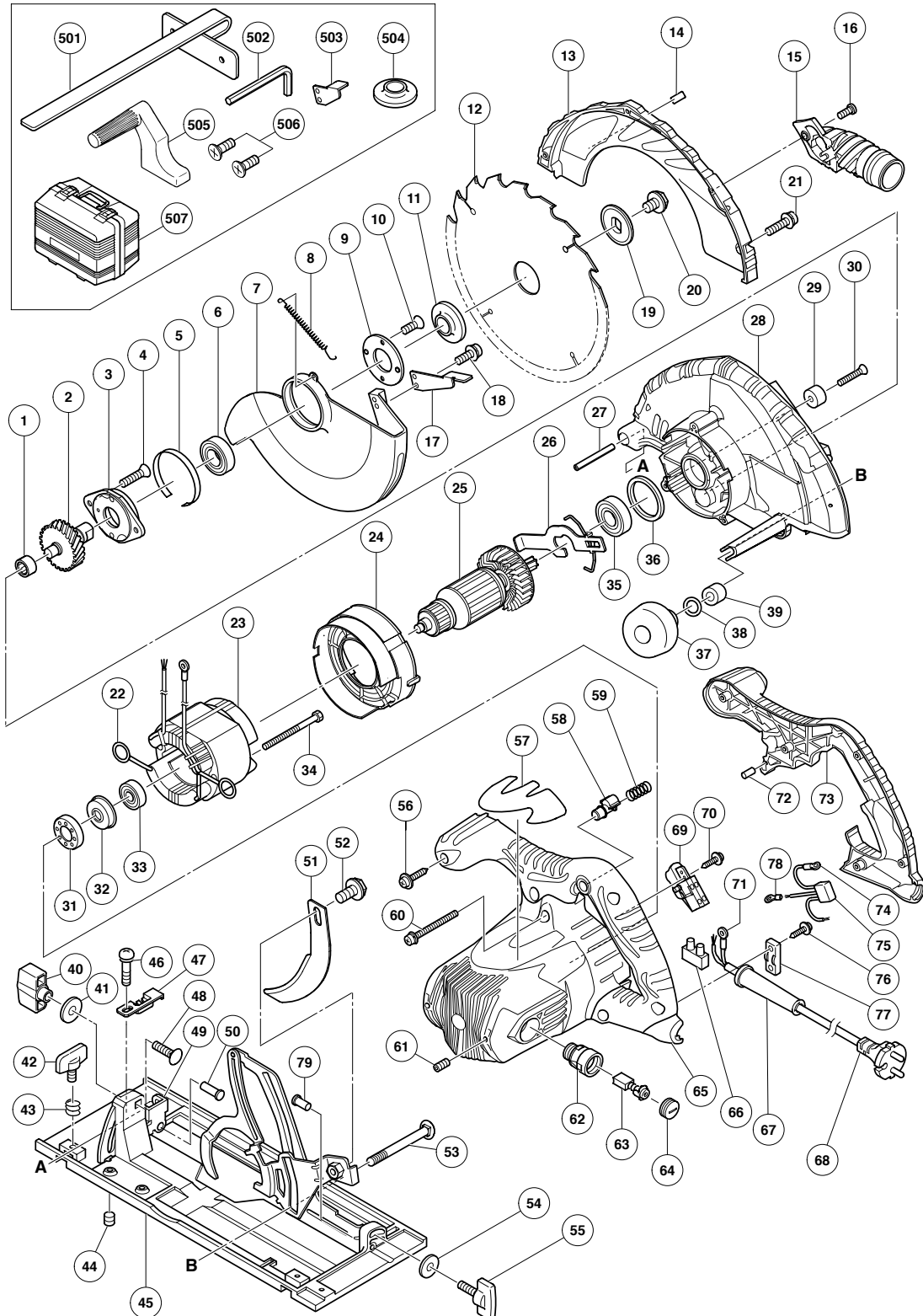


ELECTRIC TOOL PARTS LIST

■ CIRCULAR SAW Model C 9U2

2005 · 11 · 30

(E1)



PARTS

C 9U2

ITEM NO.	CODE NO.	DESCRIPTION	NO. USED	REMARKS
1	673-002	NEEDLE BEARING (HK1212)	1	
2	303-789	SPINDLE AND GEAR SET	1	
3	303-790	BEARING HOLDER	1	
4	303-797	SEAL LOCK FLAT HD. SCREW M6X14	2	
5	998-887	LINER	1	
6	620-3VV	BALL BEARING 6203VVCMP2L	1	
7	325-353	SAFETY COVER	1	
8	303-805	RETURN SPRING	1	
9	303-804	BEARING COVER	1	
10	992-013	SEAL LOCK FLAT HD. SCREW M5X14	2	
11	302-476	WASHER (A)	1	
* 12	303-809	TCT SAW BLADE 235MM-D15.9 HOLE-NT20	1	
* 12	303-810	TCT SAW BLADE 235MM-D30 HOLE-NT20	1	
13	325-354	SAW COVER	1	
14		HITACHI LABEL	1	
15	324-669	DUST COLLECTOR	1	
16	324-139	SPECIAL BOLT	1	
17	302-464	KNOB	1	
18	304-043	MACHINE SCREW (W/WASHERS) M4X10 (BLACK)	1	
19	302-423	WASHER (B)	1	
20	324-662	HEX. SOCKET HD. BOLT M8X15.5	1	
21	305-691	MACHINE SCREW (W/WASHERS) M4X14 (BLACK)	4	
22	937-623	BRUSH TERMINAL	2	
* 23	340-660P	STATOR ASS'Y 110V	1	INCLUD. 22
* 23	340-660Q	STATOR ASS'Y 230V	1	INCLUD. 22
24	325-352	FAN GUIDE	1	
* 25	360-759C	ARMATURE 110V	1	
25	360-759E	ARMATURE 230V	1	
26	303-793	LOCK LEVER	1	
27	949-884	ROLL PIN D8X50 (10 PCS.)	1	
28	325-350	GEAR COVER	1	
29	961-729	CUSHION	1	
30	949-794	FLAT HD. SCREW M6X20 (10 PCS.)	1	
31	325-356	RUBBER BUSHING	1	
32	325-355	BEARING BUSHING	1	
33	600-0VV	BALL BEARING 6000VVCMP2L	1	
34	960-251	HEX. HD. TAPPING SCREW D5X65	2	
35	620-2VV	BALL BEARING 6202VVCMP2L	1	
36	303-792	RUBBER RING	1	
37	324-660	KNOB	1	
38	676-531	O-RING (P-7)	1	
39	303-801	SLEEVE	1	
40	324-658	WING NUT M8	1	
41	949-433	BOLT WASHER M8 (10 PCS.)	1	
42	301-806	WING BOLT M6X15	1	
43	947-859	LOCK SPRING	1	
44	302-469	SLOTTED HD. SET SCREW (SEAL LOCK) M6X6	1	
45	325-360	BASE ASS'Y	1	INCLUD. 40, 41, 46-50, 54, 55, 79
46	317-333	MACHINE SCREW (W/SP. WASHER) M4X6	1	
47	324-659	GUIDE PIECE	1	
48	302-457	BOLT (SQUARE) M8X30	1	

PARTS

C 9U2

ITEM NO.	CODE NO.	DESCRIPTION	NO. USED	REMARKS	
49	308-481	BEVEL PLATE	1		
50	308-482	RIVET D6X24	1		
51	303-806	RIVING KNIFE	1		
52	324-664	HEX. SOCKET HD. BOLT M8X10	1		
53	303-800	DIAGONAL BOLT M8	1		
54	949-425	WASHER M6 (10 PCS.)	1		
55	302-438	WING BOLT (A) M6X20	1		
56	301-653	TAPPING SCREW (W/FLANGE) D4X20 (BLACK)	5		
57		NAME PLATE	1		
*	58	325-358	SAFETY LOCK BUTTON	1	EXCEPT FOR SAF
*	59	325-359	SPRING	1	EXCEPT FOR SAF
60	303-796	MACHINE SCREW (W/WASHERS) M5X40 (BLACK)	3		
61	938-477	HEX. SOCKET SET SCREW M5X8	2		
62	983-362	BRUSH HOLDER	2		
63	999-038	CARBON BRUSH (1 PAIR)	2		
64	961-781	BRUSH CAP	2		
*	65	325-362	HOUSING ASS'Y	1	INCLUD. 61, 62
*	65	325-363	HOUSING ASS'Y	1	INCLUD. 61, 62 FOR SAF
66	938-307	PILLAR TERMINAL	1		
*	67	958-049	CORD ARMOR D8.2	1	
*	67	940-778	CORD ARMOR D10.7	1	
*	68	500-234Z	CORD	1	(CORD ARMOR D8.2)
*	68	500-247Z	CORD	1	(CORD ARMOR D10.7) FOR FIN, DEN, SWE, NOR
*	68	500-435Z	CORD	1	(CORD ARMOR D8.2) FOR GBR (230V)
*	68	500-463Z	CORD	1	(CORD ARMOR D10.7) FOR GBR (110V)
*	68	500-248Z	CORD	1	(CORD ARMOR D10.7) FOR SUI
69	325-357	SWITCH (1P SCREW TYPE)	1		
70	305-720	TAPPING SCREW (W/FLANGE) D4X12	1		
*	71	980-063	TERMINAL	1	FOR CORD
72	946-362	BEARING LOCK	1		
73	325-351	HANDLE COVER	1		
74	980-063	TERMINAL	1		
*	75	930-039	NOISE SUPPRESSOR	1	
*	75	317-491	NOISE SUPPRESSOR	1	FOR SUI
76	984-750	TAPPING SCREW (W/FLANGE) D4X16	2		
77	937-631	CORD CLIP	1		
*	78	961-419Z	TERMINAL	1	FOR SUI
79	308-480	RIVET D6X17	1		

STANDARD ACCESSORIES

C 9U2

ITEM NO.	CODE NO.	DESCRIPTION	NO. USED	REMARKS
501	303-888	GUIDE	1	
502	872-422	HEX. BAR WRENCH 6MM	1	
503	303-338	KNOB	1	
* 504	302-443	WASHER (A)	1	FOR EUROPE
505	303-811	SIDE HANDLE	1	
506	949-340	FLAT HD. SCREW M6X16 (10 PCS.)	2	
507	325-364	CASE	1	

OPTIONAL ACCESSORIES

ITEM NO.	CODE NO.	DESCRIPTION	NO. USED	REMARKS
601	325-365	LONG GUIDE	1	