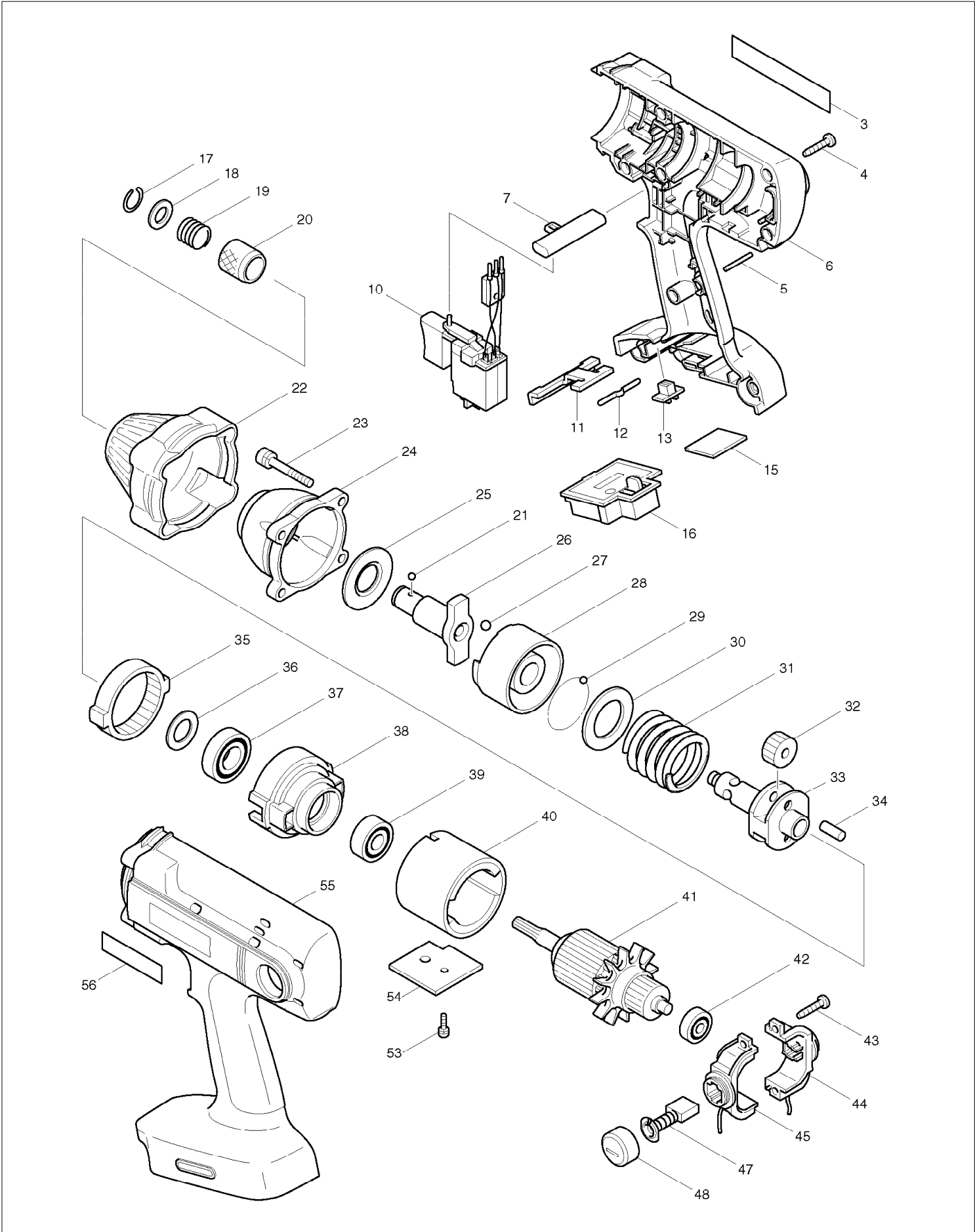


# SERVICE DRAWING

MODEL NO. BTD200



# SPARE PARTS LIST

MODEL NO. BTD200

ITEM	PART NO.	DESCRIPTION	QTY	NOTE
003	852657-1	NAME PLATE BTD200	1	
004	265995-6	TAPPING SCREW 4X18	9	
005	256176-3	PIN 2.5	1	
006	183257-9	HOUSING SET INC. 55	1	
007	416079-5	F/R CHANGE LEVER	1	
010	651996-4	SWITCH	1	
011	344898-8	SUPPORT PLATE	1	
012	232198-7	LEAF SPRING	1	
013	417337-2	H/L CHANGE LEVER	1	
015	413086-9	PLATE	1	
016	*****	*****	***	*****
017	231952-6	RING SPRING 12	1	
018	267101-9	FLAT WASHER 14	1	
019	233042-1	COMPRESSION SPRING 14	1	
020	322537-0	SLEEVE	1	
021	216008-6	STEEL BALL 4	2	
022	421757-4	BUMPER	1	
023	266271-1	HEX. SOCKET HEAD BOLT M5X35	4	
024	151981-2	HAMMER CASE COMPLETE	1	
025	267054-2	FLAT WASHER 18	1	
026	322654-6	ANVIL M	1	
027	216011-7	STEEL BALL 5.6	2	
028	*****	*****	***	*****
029	216008-6	STEEL BALL 4	25	
030	267088-5	FLAT WASHER 28	1	
031	233079-8	COMPRESSION SPRING 30	1	
032	227005-7	SPUR GEAR 24	2	
033	324030-0	SPINDLE	1	
034	256033-5	PIN 6	2	
035	227004-9	INTERNAL GEAR 55	1	
036	267215-4	FLAT WASHER 15	1	
037	211237-6	BALL BEARING 6002LLB	1	
038	417336-4	INTERNAL GEAR CASE	1	
039	211061-7	BALL BEARING 6000LLB	1	
040	638020-0	YOKE UNIT	1	
041	519063-0	ARMATURE ASS'Y INC. 39,42	1	
042	211021-9	BALL BEARING 607LLB	1	
043	265995-6	TAPPING SCREW 4X18	2	
044	643968-3	BRUSH HOLDER	1	
045	643969-1	BRUSH HOLDER	1	
047	*****	*****	***	*****
048	643941-3	BRUSH HOLDER CAP	2	
053	911006-2	PAN HEAD SCREW M3X8	1	
054	689070-8	HEAT SINK	1	
055	183257-9	HOUSING SET INC. 6	1	
056	819063-3	MAKITA LABEL	1	
A01	*****	*****	***	*****
A03	*****	*****	***	*****
E01	*****	*****	***	*****