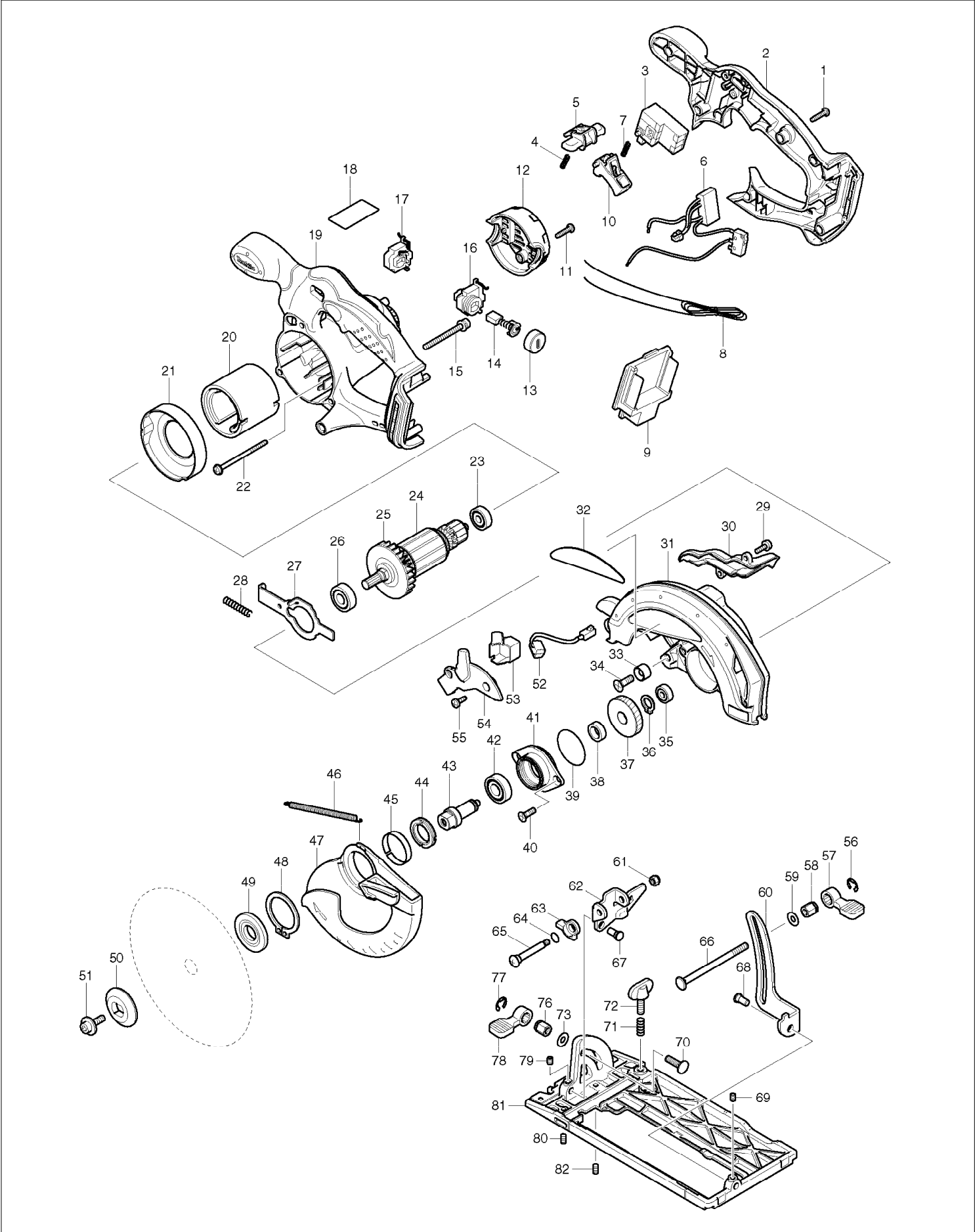


SERVICE DRAWING

MODEL NO. BSS610



SPARE PARTS LIST

MODEL NO. BSS610

| ITEM | PART NO. | DESCRIPTION | QTY | NOTE |
|------|----------|-------------------------------------|-----|-------|
| 001 | 265995-6 | TAPPING SCREW 4X18 | 6 | |
| 002 | 419279-6 | HANDLE COVER | 1 | |
| 003 | 651956-6 | SWITCH TG72BD | 1 | |
| 004 | 231469-9 | COMPRESSION SPRING 4 | 1 | |
| 005 | 419322-1 | LOCK OFF LEVER | 1 | |
| 006 | 631695-4 | POWER SUPPLY CIRCUIT | 1 | |
| 007 | 231469-9 | COMPRESSION SPRING 4 | 1 | |
| 008 | 638432-7 | LEAD UNIT | 1 | |
| 009 | 643812-4 | TERMINAL | 1 | |
| 010 | 419176-6 | SWITCH LEVER | 1 | |
| 011 | 265995-6 | TAPPING SCREW 4X18 | 2 | |
| 012 | 419281-9 | REAR COVER | 1 | |
| 013 | 643941-3 | BRUSH HOLDER CAP | 2 | |
| 014 | ***** | ***** | *** | ***** |
| 015 | 911263-2 | PAN HEAD SCREW M5X40 | 3 | |
| 016 | 643814-0 | BRUSH HOLDER | 1 | |
| 017 | 643813-2 | BRUSH HOLDER | 1 | |
| 018 | ***** | ***** | *** | ***** |
| 019 | 419278-8 | MOTOR HOUSING | 1 | |
| 020 | 638107-8 | YOKE UNIT | 1 | |
| 021 | 419285-1 | BAFFLE PLATE | 1 | |
| 022 | 266292-3 | TAPPING SCREW 4X65 | 2 | |
| 023 | 210023-2 | BALL BEARING 627DDW | 1 | |
| 024 | 519173-3 | ARMATURE ASS'Y 18V INC. 23,25,26 | 1 | |
| 025 | 241869-5 | FAN 55 | 1 | |
| 026 | 211061-7 | BALL BEARING 6000LLB | 1 | |
| 027 | 345659-9 | SHAFT LOCK | 1 | |
| 028 | 233092-6 | COMPRESSION SPRING 5 | 1 | |
| 029 | 911118-1 | PAN HEAD SCREW M4X12 | 2 | |
| 030 | 419284-3 | BLOWER NOZZLE | 1 | |
| 031 | 188045-9 | BLADE CASE SET INC. 32 | 1 | |
| 032 | 819217-2 | MAKITA LOGO PLATE | 1 | |
| 033 | 262049-0 | RUBBER RING 6 | 1 | |
| 034 | 251368-9 | + COUNTERSUNK SCREW M6 | 1 | |
| 035 | 210028-2 | BALL BEARING 606ZZ | 1 | |
| 036 | 961052-5 | RETAINING RING S-12 | 1 | |
| 037 | 227156-6 | SPUR GEAR 52 | 1 | |
| 038 | 257173-2 | RING 12 | 1 | |
| 039 | 213512-6 | O RING 39 | 1 | |
| 040 | 265034-2 | + COUNTERSUNK HEAD SCREW M5X16 | 2 | |
| 041 | 318009-1 | BEARING BOX | 1 | |
| 042 | 211131-2 | BALL BEARING 6001DDW | 1 | |
| 043 | 324626-7 | SPINDLE | 1 | |
| 044 | 285845-9 | BEARING RETAINER 19-29 | 1 | |
| 045 | 345469-4 | THICKNESS RING | 1 | |
| 046 | 231821-1 | TENSION SPRING 3 | 1 | |
| 047 | 419286-9 | SAFETY COVER | 1 | |
| 048 | 961152-1 | RETAINING RING (EXT) S-34 | 1 | |
| 049 | 224397-5 | INNER FLANGE 40 | 1 | |
| 050 | 224282-2 | OUTER FLANGE 40 | 1 | |
| 051 | 266133-3 | HEX. SOCKET HEAD BOLT M6X20 | 1 | |
| 052 | 631694-6 | LED CIRCUIT | 1 | |
| 053 | 419341-7 | CONNECTOR BOX | 1 | |
| 054 | 419282-7 | LIGHT COVER | 1 | |
| 055 | 266026-4 | TAPPING SCREW BIND CT 4X12 | 2 | |
| 056 | 961014-3 | STOP RING E-8 | 1 | |
| 057 | 272229-0 | LEVER 40 | 1 | |
| 058 | 252158-3 | HEX.NUT M6 | 1 | |
| 059 | 941151-9 | FLAT WASHER 6 | 1 | |

SPARE PARTS LIST

MODEL NO. BSS610

| ITEM | PART NO. | DESCRIPTION | QTY | NOTE |
|------|----------|-----------------------------|-----|-------|
| 060 | 345658-1 | DEPTH GUIDE | 1 | |
| 061 | 252103-8 | HEX. LOCK NUT M5-8 | 1 | |
| 062 | 345657-3 | ANGULAR GUIDE | 1 | |
| 063 | 317986-4 | STOPPER | 1 | |
| 064 | 213062-1 | O RING 9 | 1 | |
| 065 | 265084-7 | + TRUSS HEAD SCREW M5 | 1 | |
| 066 | 266194-3 | FLAT HEAD SCREW M6X90 | 1 | |
| 067 | ***** | ***** | *** | ***** |
| 068 | ***** | ***** | *** | ***** |
| 069 | 266264-8 | HEX. SOCKET HEAD SCREW M5X6 | 1 | |
| 070 | 251919-8 | CAP SQUARE NECK BOLT M6X20 | 1 | |
| 071 | 231007-7 | COMPRESSION SPRING 6 | 1 | |
| 072 | 251896-4 | SCREW M5X20 | 1 | |
| 073 | 941151-9 | FLAT WASHER 6 | 1 | |
| 076 | 252133-9 | HEX. NUT M6 | 1 | |
| 077 | 961014-3 | STOP RING E-8 | 1 | |
| 078 | 272251-7 | LEVER 30 | 1 | |
| 079 | 266264-8 | HEX. SOCKET HEAD SCREW M5X6 | 1 | |
| 080 | 266229-0 | HEX. SOCKET SET SCREW M5X8 | 1 | |
| 081 | 154832-8 | BASE COMPLETE | 1 | |
| 082 | 266229-0 | HEX. SOCKET SET SCREW M5X8 | 1 | |
| 083 | 419283-5 | DUST NOZZLE | 1 | |
| 084 | 911118-1 | PAN HEAD SCREW M4X12 | 1 | |
| 085 | 253186-1 | FLAT WASHER 7 | 1 | |
| A01 | 164095-8 | GUIDE RULE | 1 | |
| A03 | ***** | ***** | *** | ***** |
| A04 | 783203-8 | HEX. WRENCH 5 | 1 | |
| A05 | 824757-7 | PLASTIC CASE | 1 | |
| A06 | A-85101 | T.C.T.SAW BLADE 165X24TX20 | 1 | |
| A07 | ***** | ***** | *** | ***** |
| A08 | 450128-8 | BATTERY COVER | 1 | |