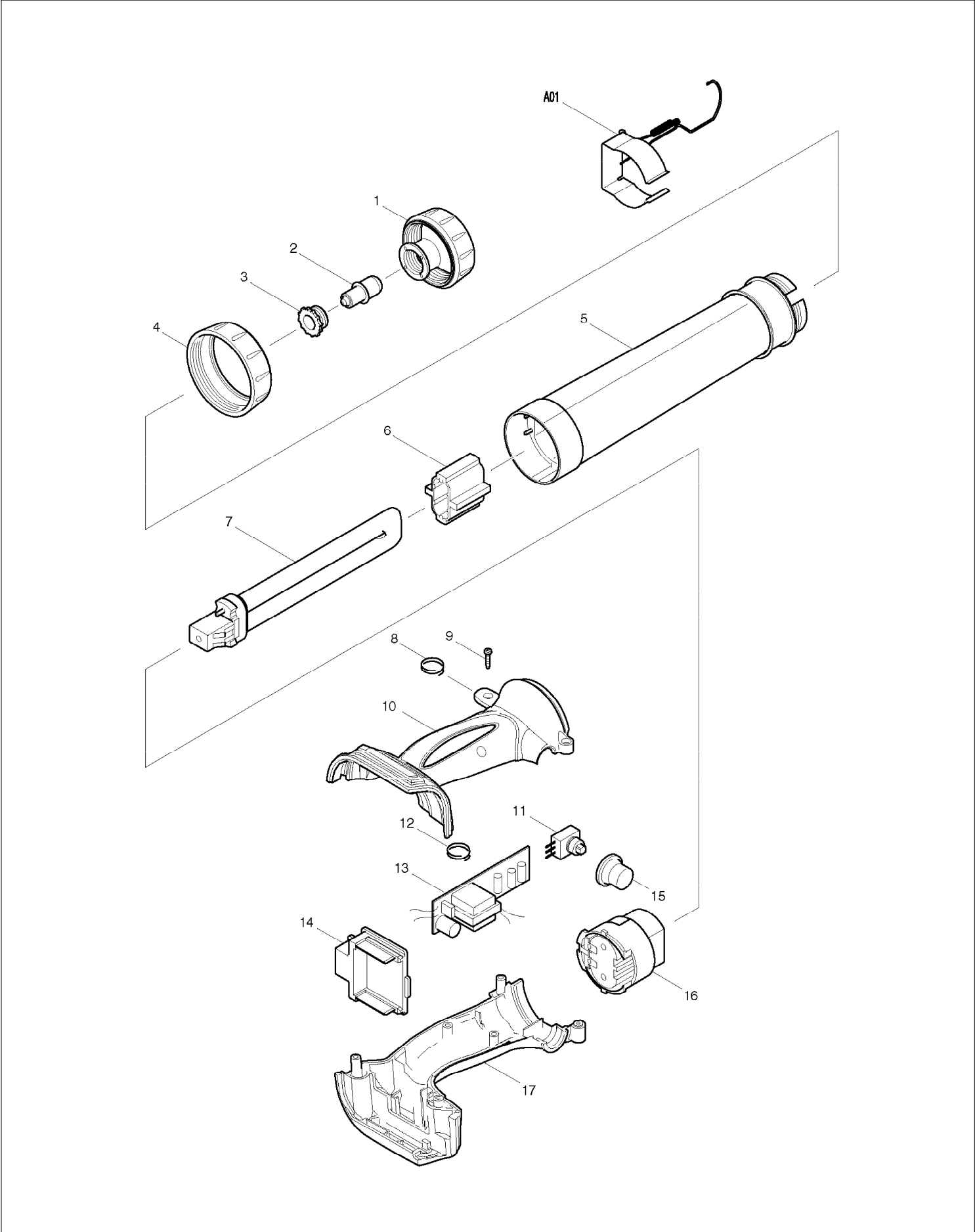


# SERVICE DRAWING

MODEL NO. BML184



# SPARE PARTS LIST

MODEL NO. BML184

ITEM	PART NO.	DESCRIPTION	QTY	NOTE
001	GM00001021	REFLECTOR	1	
002	B-07303	LIGHT BULB SET	1	
003	GM00001020	BULB HOLDER	1	
004	GM00001019	LOCK RING	1	
005	GM00001017	LAMP COVER	1	
006	GM00001023	ABSORBER	1	
007	SM00000050	FLUORESCENT TUBE	1	
008	SM00000190	RING	1	
009	GM00001024	SCREW 3X12 20130120202	6	
010	GM00001048	HOUSING SET	1	
		INC. 17		
011	GM00001025	SWITCH 11401000303	1	
012	SM00000190	RING	1	
013	GM00001049	PCB	1	
014	GM00000530	BATTERY HOLDER C2010239007	1	
015	GM00001022	SWITCH COVER 39010184005	1	
016	GM00001018	HOLDER	1	
017	GM00001048	HOUSING SET	1	
		INC. 10		
A01	GM00001027	METAL HOOK	1	
A02	GM00001028	SHOULDER HOOK SET	1	