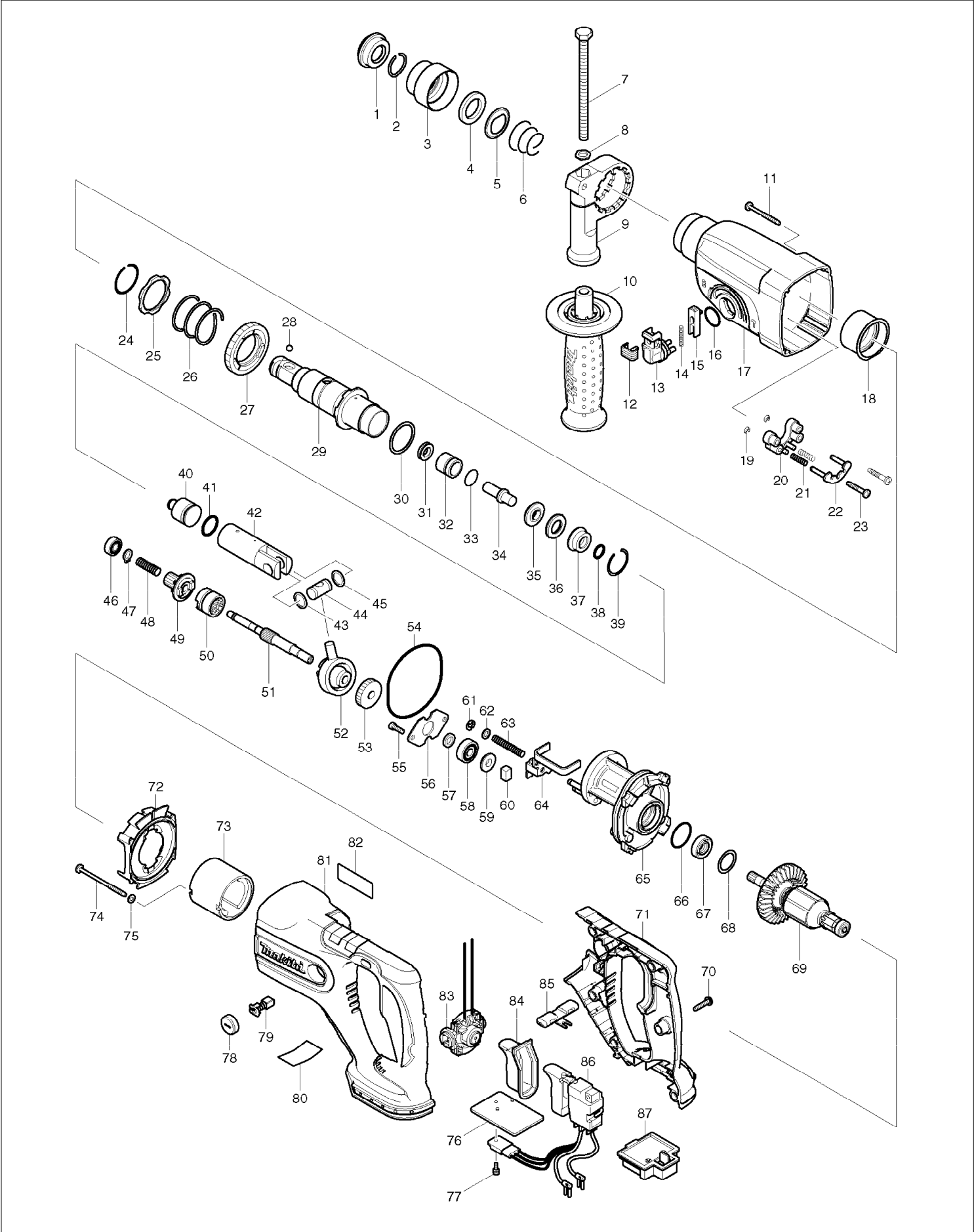


SERVICE DRAWING

MODEL NO. BHR240



SPARE PARTS LIST

MODEL NO. BHR240

| ITEM | PART NO. | DESCRIPTION | QTY | NOTE |
|------|----------|-----------------------------|-----|------|
| 001 | 286263-4 | CAP 35 | 1 | |
| 002 | 233940-9 | RING SPRING 19 | 1 | |
| 003 | 417629-9 | CHUCK COVER | 1 | |
| 004 | 257241-1 | RING 21 | 1 | |
| 005 | 345187-4 | GUIDE WASHER | 1 | |
| 006 | 233916-6 | CONICAL COMP. SPRING 21-29 | 1 | |
| 007 | 921923-8 | HEX. BOLT M8X120 | 1 | |
| 008 | 345280-4 | HEX. WASHER | 1 | |
| 009 | 417630-4 | GRIP BASE | 1 | |
| 010 | 154842-5 | GRIP 36 COMPLETE | 1 | |
| 011 | 266048-4 | TAPPING SCREW 4X40 | 4 | |
| 012 | 417794-4 | CAP | 1 | |
| 013 | 162229-7 | CHANGE LEVER COMPLETE | 1 | |
| 014 | 233341-1 | COMPRESSION SPRING 3 | 1 | |
| 015 | 417795-2 | LOCK BUTTON | 1 | |
| 016 | 213278-8 | O RING 17 | 1 | |
| 017 | 154880-7 | GEAR HOUSING COMPLETE | 1 | |
| 018 | 153290-5 | NEEDLE BEARING COMPLETE | 1 | |
| 019 | 961017-7 | STOP RING E-3 | 2 | |
| 020 | 417796-0 | GUIDE BASE | 1 | |
| 021 | 233344-5 | COMPRESSION SPRING 4 | 2 | |
| 022 | 163430-7 | LOCK PLATE COMPLETE | 1 | |
| 023 | 265999-8 | TAPPING SCREW 4X25 | 2 | |
| 024 | 233929-7 | RING SPRING 29 | 1 | |
| 025 | 267791-8 | WASHER 31 | 1 | |
| 026 | 233401-9 | COMPRESSION SPRING 32 | 1 | |
| 027 | 227109-5 | SPUR GEAR 51 | 1 | |
| 028 | 216022-2 | STEEL BALL 7.0 | 1 | |
| 029 | 154890-4 | TOOL HOLDER COMPLETE | 1 | |
| 030 | 267229-3 | FLAT WASHER 28 | 1 | |
| 031 | 213075-2 | X-RING 9 | 1 | |
| 032 | 324686-9 | SLEEVE 9 | 1 | |
| 033 | 213226-7 | O RING 16 | 1 | |
| 034 | 324669-9 | IMPACT BOLT | 1 | |
| 035 | 324402-9 | RING 10 | 1 | |
| 036 | 421955-0 | CUSHION RING 13 | 1 | |
| 037 | 324216-6 | O RING CASE | 1 | |
| 038 | 213073-6 | O RING 9 | 1 | |
| 039 | 233917-4 | RING SPRING 28 | 1 | |
| 040 | 324214-0 | STRIKER | 1 | |
| 041 | 213227-5 | O RING 16 | 1 | |
| 042 | 331632-5 | PISTON CYLINDER | 1 | |
| 043 | 267104-3 | FLAT WASHER 12 | 1 | |
| 044 | 324215-8 | PISTON JOINT | 1 | |
| 045 | 267104-3 | FLAT WASHER 12 | 1 | |
| 046 | 211012-0 | BALL BEARING 606ZZ | 1 | |
| 047 | 961003-8 | RETAINING RING S-7 | 1 | |
| 048 | 233343-7 | COMPRESSION SPRING 7 | 1 | |
| 049 | 226399-7 | SPUR GEAR 10 | 1 | |
| 050 | 331634-1 | CLUTCH CAM | 1 | |
| 051 | 324668-1 | CAM SHAFT | 1 | |
| 052 | 219014-0 | SWASH BEARING 10 | 1 | |
| 053 | 226632-7 | HELICAL GEAR 25 | 1 | |
| 054 | 213727-5 | O-RING 63 | 1 | |
| 055 | 266273-7 | HEX. SOCKET HEAD BOLT M4X12 | 2 | |
| 056 | 345179-3 | BEARING RETAINER | 1 | |
| 057 | 267234-0 | FLAT WASHER 8 | 1 | |
| 058 | 211032-4 | BALL BEARING 608ZZ | 1 | |
| 059 | 324212-4 | RING 8 | 1 | |
| 060 | 443126-9 | FELT | 1 | |
| 061 | 961011-9 | STOP RING E-4 | 1 | |

SPARE PARTS LIST

MODEL NO. BHR240

| ITEM | PART NO. | DESCRIPTION | QTY | NOTE |
|------|----------|--|-----|-------|
| 062 | 941102-2 | FLAT WASHER 5 | 1 | |
| 063 | 233342-9 | COMPRESSION SPRING 6 | 1 | |
| 064 | 345363-0 | CHANGE PLATE | 1 | |
| 065 | 154879-2 | INNER HOUSING COMPLETE | 1 | |
| 066 | 213380-7 | O RING 24 | 1 | |
| 067 | 213966-7 | OIL SEAL 9 | 1 | |
| 068 | 253349-9 | THIN WASHER 18 | 1 | |
| 069 | 619190-4 | ARMATURE | 1 | |
| 070 | 265995-6 | TAPPING SCREW 4X18 | 6 | |
| 071 | ***** | ***** | *** | ***** |
| 072 | 419201-3 | BAFFLE PLATE | 1 | |
| 073 | 638461-0 | YORK UNIT | 1 | |
| 074 | 266091-3 | TAPPING SCREW 4X50 | 2 | |
| 075 | 941051-3 | FLAT WASHER 4 | 2 | |
| 076 | 689099-4 | HEAT SINK | 1 | |
| 077 | 911006-2 | PAN HEAD SCREW M3X8 | 1 | |
| 078 | 643929-3 | BRUSH HOLDER CAP | 2 | |
| 079 | 191971-3 | CARBON BRUSH CB-430 | 1 | |
| 080 | ***** | ***** | *** | ***** |
| 081 | ***** | ***** | *** | ***** |
| 082 | 863007-5 | BHR240 NAME PLATE | 1 | |
| 083 | 638462-8 | ENDBELL COMPLETE | 1 | |
| 084 | 421957-6 | SWITCH COVER | 1 | |
| 085 | 419457-8 | F/R CHANGE LEVER | 1 | |
| 086 | ***** | ***** | *** | ***** |
| 087 | ***** | ***** | *** | ***** |
| 088 | 424030-1 | CUSHION | 1 | |
| A01 | 324219-0 | DEPTH GAUGE | 1 | |
| A03 | ***** | ***** | *** | ***** |
| A04 | 824771-3 | PLASTIC CARRYING CASE | 1 | |
| A05 | 804629-2 | BHR240RFE Ìßx½Á ⁻ , 1°½xÍßÙ | 1 | |
| A06 | 450128-8 | BATTERY COVER | 1 | |