

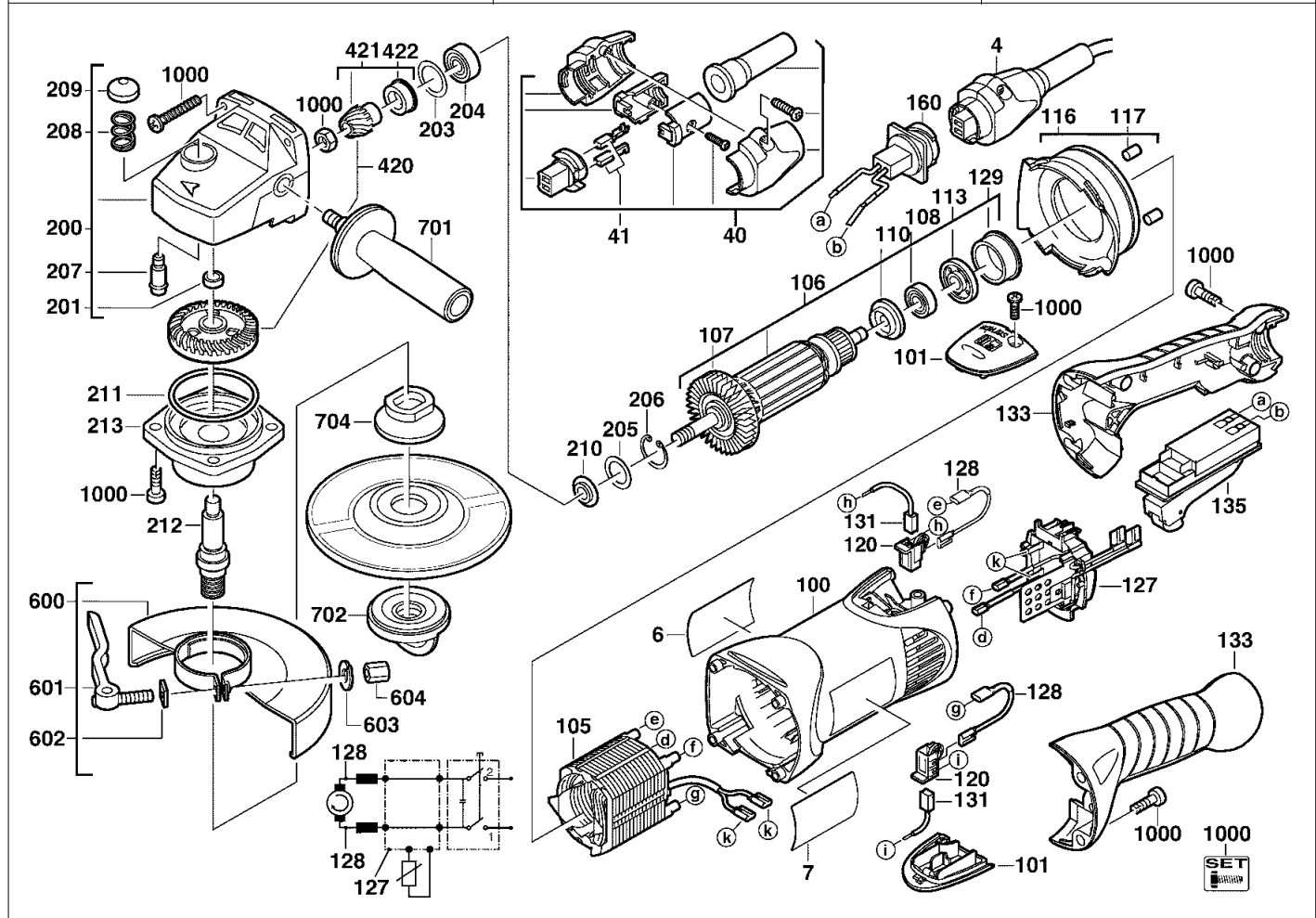
# A & M Electric Tools

# Angle Grinders

Ind	Product No.	Type	Voltage	Country
a	4000385021	AG16-150QXC	220-240V	IN2

Ind	Product No.	Type	Voltage	Country

Milwaukee				
<b>AG16-150QXC</b>				
Exp.view No.	Version	Date	Page	
4926 3850 24	0001	30.11.01	1/2	



Pos	Index	Quanti	Article No.	Designation	Pos	Index	Quanti	Article No.	Designation
0004	a.....	1	4931624171	CONNECTION CABLE	0160	a.....	1	4931364437	INSERT
0006	a.....	1	4931385027	RATING PLATE	0200	a.....	1	4931378964	GEAR BOX
0007	a.....	1	4931378806	TYPE PLATE	0201	a.....	1	4931912093	SLEEVE
0040	a.....	1	4931380758	REPAIR KIT	0203	a.....	1	4931362085	WASHER
0041	a.....	1	4931380763	CABLE SOCKET P./10	0204	a.....	1	4931368037	GROOVED BALL BEAR.
0100	a.....	1	4931378768	MOTOR HOUSING	0205	a.....	1	4931622761	DISC
0101	a.....	2	4931378566	COVER	0206	a.....	1	4931616614	LOCKING RING
0105	a.....	1	4931378394	ELECTRIC FIELD	0207	a.....	1	4931326929	LOCKING BOLT
0106	a.....	1	4931362615	ARMATURE	0208	a.....	1	4931326942	PRESSURE SPRING
0107	a.....	1	4931341088	FAN	0209	a.....	1	4931326930	PUSH-BUTTON
0108	a.....	1	4931901253	BALL BEARING	0210	a.....	1	4931622009	SEAL RING
0110	a.....	1	4931271823	INSULATING DISC	0211	a.....	1	4931254894	COMPENSATING WASH
0113	a.....	1	4931307147	MAGNETIC DISC	0212	a.....	1	4931369771	SPINDLE
0116	a.....	1	4931378135	AIR DEFLECTOR RING	0213	a.....	1	4931334718	BEARING END PLATE
0117	a.....	2	4931271824	HOLDING-DOWN DEVIC	0420	a.....	1	4931369887	BEVEL GEAR PAIR
0120	a.....	2	4931382268	BRUSH HOLDER	0421	a.....	1	4931369773	PINION
0127	a.....	1	4931378141	ELECTRONIC ELEMENT	0422	a.....	1	4931369774	SEAL RING
0128	a.....	2	4931623738	WIRE	0600	a.....	1	4931385028	GUARD CAP
0129	a.....	1	4931326953	BEARING SLEEVE	0601	a.....	1	4931318368	CLAMPING LEVER
0131	a.....	1	4931369477	CARBON BRUSH SET	0602	a.....	1	4931318117	SLIDE PLATE
0133	a.....	1	4931378762	HANDLE	0603	a.....	1	4931612185	SPRING WASHER
0135	a.....	1	4931378949	SWITCH	0604	a.....	1	4931318103	NUT

Repairs/modification and testing of electric power tools are to be carried out by specialists. The safety regulations according to DIN/VDE/CEE/AFNOR and other regulations valid in the different countries are to be observed.

