

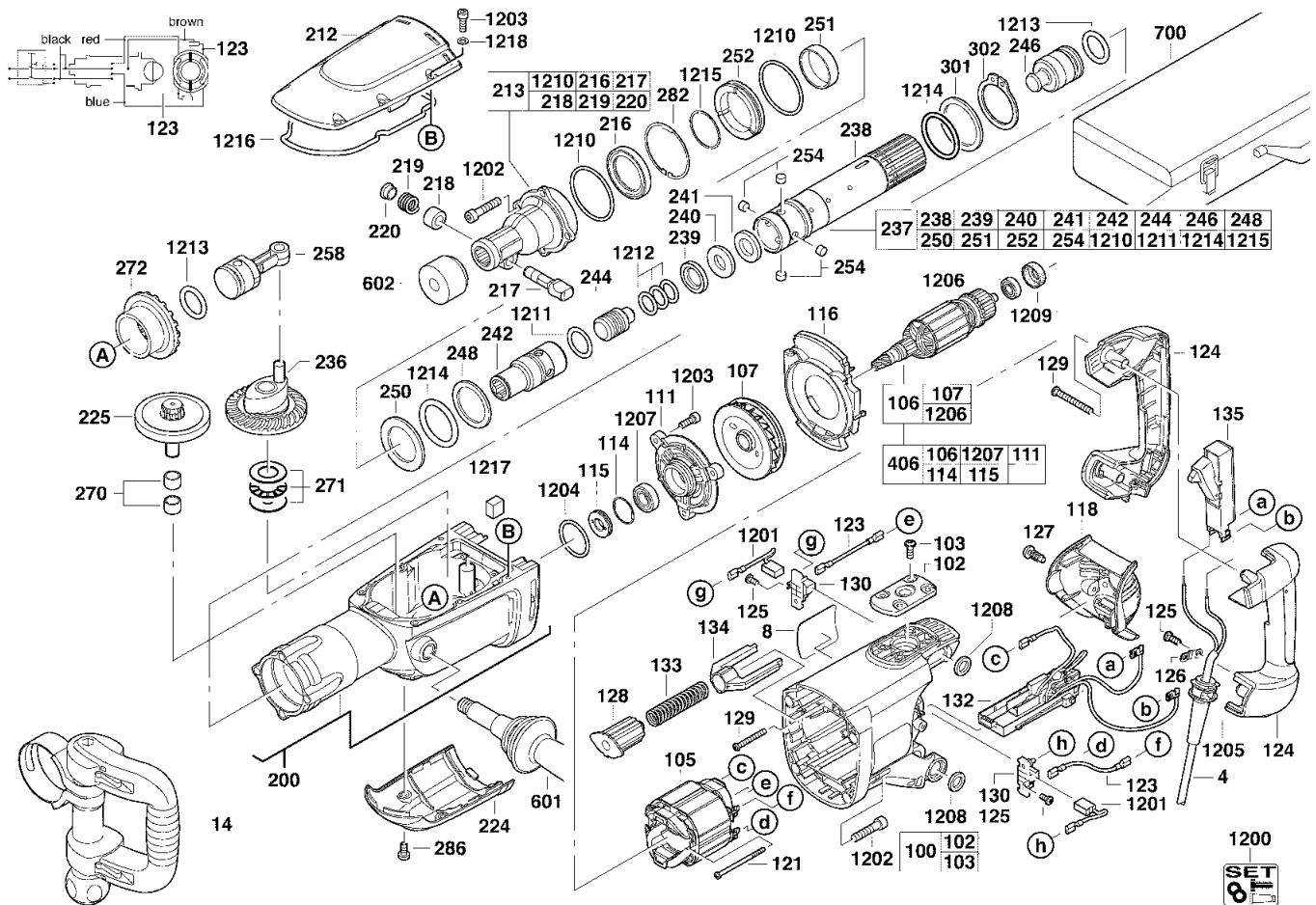
# A & M Electric Tools

Ind	Product No.	Type	Voltage	Country
a	4000375808	950K	220-240V	IN2
b	4000375814	900K	220-240V	IN2
c	4000375810	950K	110V	GB1
d	4000375816	900K	110V	GB1
e	4000375818	900K	220-240V	AUS
f	4000375812	950K	220-240V	AUS

# Rotary Hammers

**Milwaukee**  
**950 K**  
**900 K**

Exp.view No.      Version      Date      Page  
**4926 3758 24      0002      23.09.04      1/3**



Pos	Index	Quanti	Article No.	Designation
0004	ab.....	1	4931624230	CONNECTION CABLE
0004	..cd.....	1	4931624248	CONNECTION CABLE
0004	....ef.....	1	4931624330	CONNECTION CABLE
0008	a.....	1	4931375809	RATING PLATE
0008	..b.....	1	4931375815	RATING PLATE
0008	..c.....	1	4931375811	RATING PLATE
0008	...d.....	1	4931375817	RATING PLATE
0008	....e.....	1	4931375819	RATING PLATE
0008	....f.....	1	4931375813	RATING PLATE
0014	abcdef.....	1	4931375519	HANDLE
0100	a.c.f.....	1	4931375647	MOTOR HOUSING
0100	..b.de.....	1	4931375548	MOTOR HOUSING
0102	abcdef.....	1	4931375531	SECURED WASHER
0103	abcdef.....	4	4931624213	SCREW
0105	ab..ef.....	1	4931375557	ELECTRIC FIELD
0105	..cd.....	1	4931375669	ELECTRIC FIELD
0106	ab..ef.....	1	4931375835	ARMATURE
0106	..cd.....	1	4931375836	ARMATURE
0107	abcdef.....	1	4931375474	FAN
0111	abcdef.....	1	4931375488	BEARING END PLATE
0114	abcdef.....	1	4931890311	LOCKING RING
0115	abcdef.....	1	4931375489	SEAL RING

Pos	Index	Quanti	Article No.	Designation
0116	abcdef.....	1	4931375515	AIR DEFLECTOR RING
0118	abcdef.....	1	4931375535	SERVICING LID
0121	abcdef.....	2	4931339996	SCREW
0123	abcdef.....	2	4931624263	WIRE
0124	abcdef.....	1	4931375560	PAIR HANDLE SHELLS
0125	abcdef.....	4	4931620030	SCREW
0126	abcdef.....	1	4931256500	CABLE COLLAR
0127	abcdef.....	2	4931013472	SCREW
0128	abcdef.....	1	4931375477	THRUST PIECE
0129	abcdef.....	5	4931622765	SCREW
0130	abcdef.....	2	4931329079	BRUSH HOLDER
0132	ab..ef.....	1	4931375482	ELECTRONIC
0132	..cd.....	1	4931375483	ELECTRONIC
0133	abcdef.....	1	4931375529	PRESSURE SPRING
0134	abcdef.....	1	4931375530	TRANSITION PIECE
0135	abcdef.....	1	4931375454	SWITCH
0200	a.c.f.....	1	4931375625	GEAR BOX
0200	..b.de.....	1	4931375570	GEAR BOX
0212	abcdef.....	1	4931375563	GEAR BOX COVER
0213	abcdef.....	1	4931375510	TOOL ACCEPTANCE
0216	abcdef.....	1	4931624205	SEAL RING
0217	abcdef.....	1	4931384430	LATCH BAR

Repairs/modification and testing of electric power tools are to be carried out by specialists. The safety regulations according to DIN/VDE/CEE/AFNOR and other regulations valid in the different countries are to be observed.

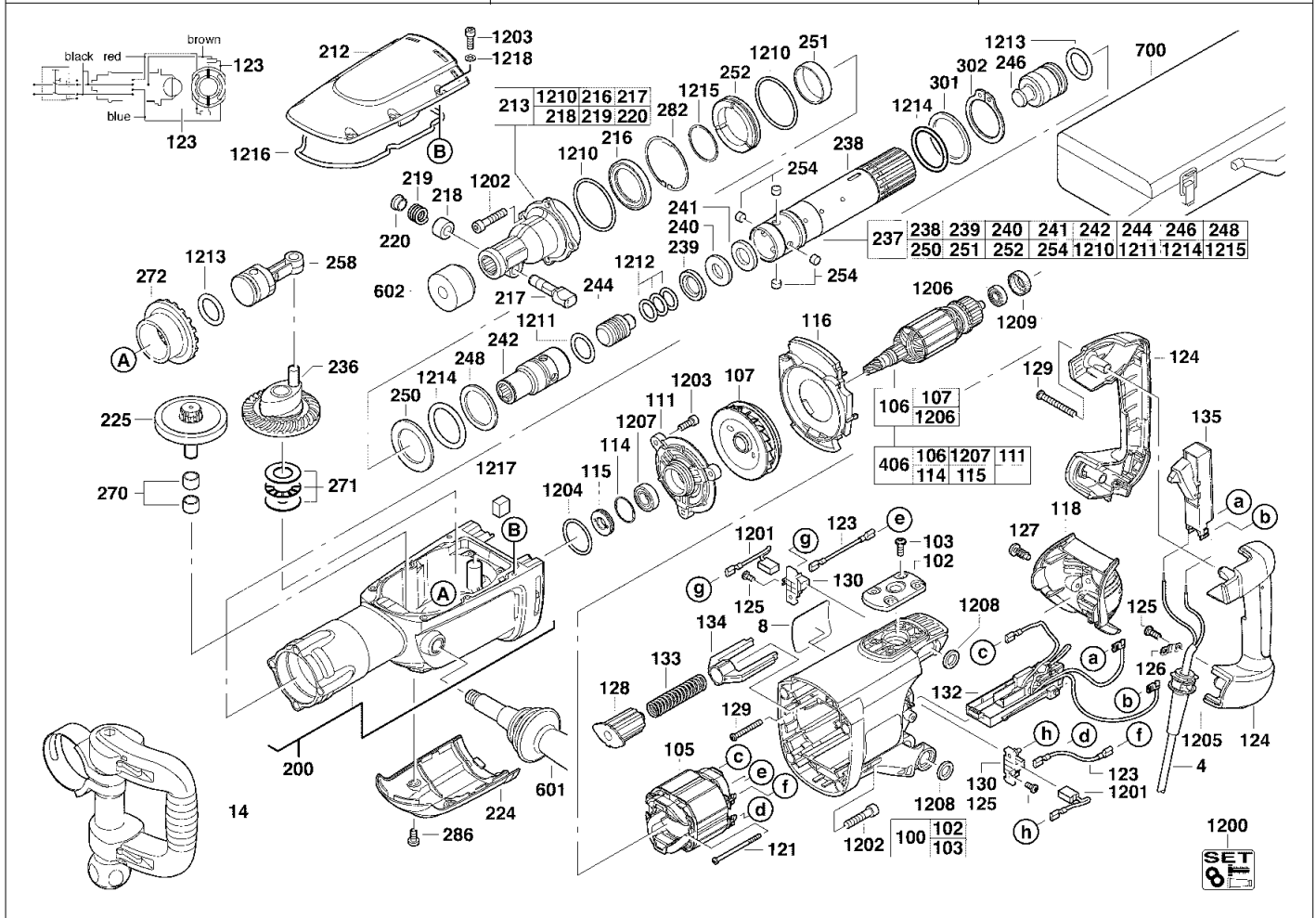
# A & M Electric Tools

# Rotary Hammers

Ind	Product No.	Type	Voltage	Country
a	4000375808	950K	220-240V	IN2
b	4000375814	900K	220-240V	IN2
c	4000375810	950K	110V	GB1
d	4000375816	900K	110V	GB1
e	4000375818	900K	220-240V	AUS
f	4000375812	950K	220-240V	AUS

Ind	Product No.	Type	Voltage	Country
-----	-------------	------	---------	---------

<b>Milwaukee</b>				
<b>950 K</b>				
<b>900 K</b>				
Exp.view No.	Version	Date	Page	
4926 3758 24	0002	23.09.04	2/3	



Pos	Index	Quanti	Article No.	Designation	Pos	Index	Quanti	Article No.	Designation
0218	abcdef.....	1	4931379061	SLEEVE	0270	a.c.f.....	2	4931621847	NEEDLE BEARING
0219	abcdef.....	1	9170032330	SPRING	0271	abcdef.....	1	4931375400	THRUST BEARING
0220	abcdef.....	1	4931379039	LATCH	0272	a.c.f.....	1	4931375437	SPINDLE BEVEL GEAR
0224	abcdef.....	1	4931375574	GEAR COVER	0282	abcdef.....	1	4931624235	RETAINING RING
0225	a.c.f.....	1	4931375783	COUPLING	0286	abcdef.....	2	4931624236	SCREW
0236	abcdef.....	1	4931375379	CRANK WHEEL	0301	.b.de.....	1	4931375509	ATTACHMENT RING
0237	a.c.f.....	1	4931375803	SPINDLE	0302	.b.de.....	1	4931624203	RETAINING RING
0237	.b.de.....	1	4931375802	SPINDLE	0406	ab..ef.....	1	4931375526	ARMATURE
0238	abcdef.....	1	4931375776	SPINDLE SLEEVE	0406	..cd.....	1	4931375568	ARMATURE
0239	abcdef.....	1	4931375411	THRUST COLLAR	0601	abcdef.....	1	4931375516	HANDLE
0240	abcdef.....	1	4931375412	BACK-PRESSURE RING	0602	abcdef.....	1	9170086960	DUST GUARD CAP
0241	abcdef.....	1	4931375777	ATTACHMENT RING	0700	abcdef.....	1	4932375588	CARRYING CASE
0242	a.c.f.....	1	4931375425	DRIVER	1200	abcdef.....	1	4931375659	MAINTENANCE SET
0242	.b.de.....	1	4931375433	SLEEVE	1201	abcdef.....	1	4931375556	CARBON BRUSH SET
0244	abcdef.....	1	4931375448	SNAP DIE	1202	abcdef.....	8	4931624234	SCREW
0246	abcdef.....	1	4931375782	PERCUSSION BODY	1203	abcdef.....	9	4931624237	SCREW
0248	abcdef.....	1	4931375416	ATTACHMENT RING	1204	abcdef.....	1	4931624231	SEAL RING
0250	abcdef.....	1	4931375418	WASHER	1205	abcdef.....	1	4931392174	PROTECTING COVER
0251	abcdef.....	1	4931375419	BALL RACE	1206	abcdef.....	1	4931341741	BALL BEARING
0252	abcdef.....	1	4931375420	THRUST COLLAR	1207	abcdef.....	1	4931622701	BALL BEARING
0254	abcdef.....	4	4931375787	DRIVER	1208	abcdef.....	4	4931624170	SEAL RING
0258	abcdef.....	1	4931375380	PISTON COMPL.	1209	abcdef.....	1	4931317212	RUBBER SLEEVE

Repairs/modification and testing of electric power tools are to be carried out by specialists. The safety regulations according to DIN/VDE/CEE/AFNOR and other regulations valid in the different countries are to be observed.

# A & M Electric Tools

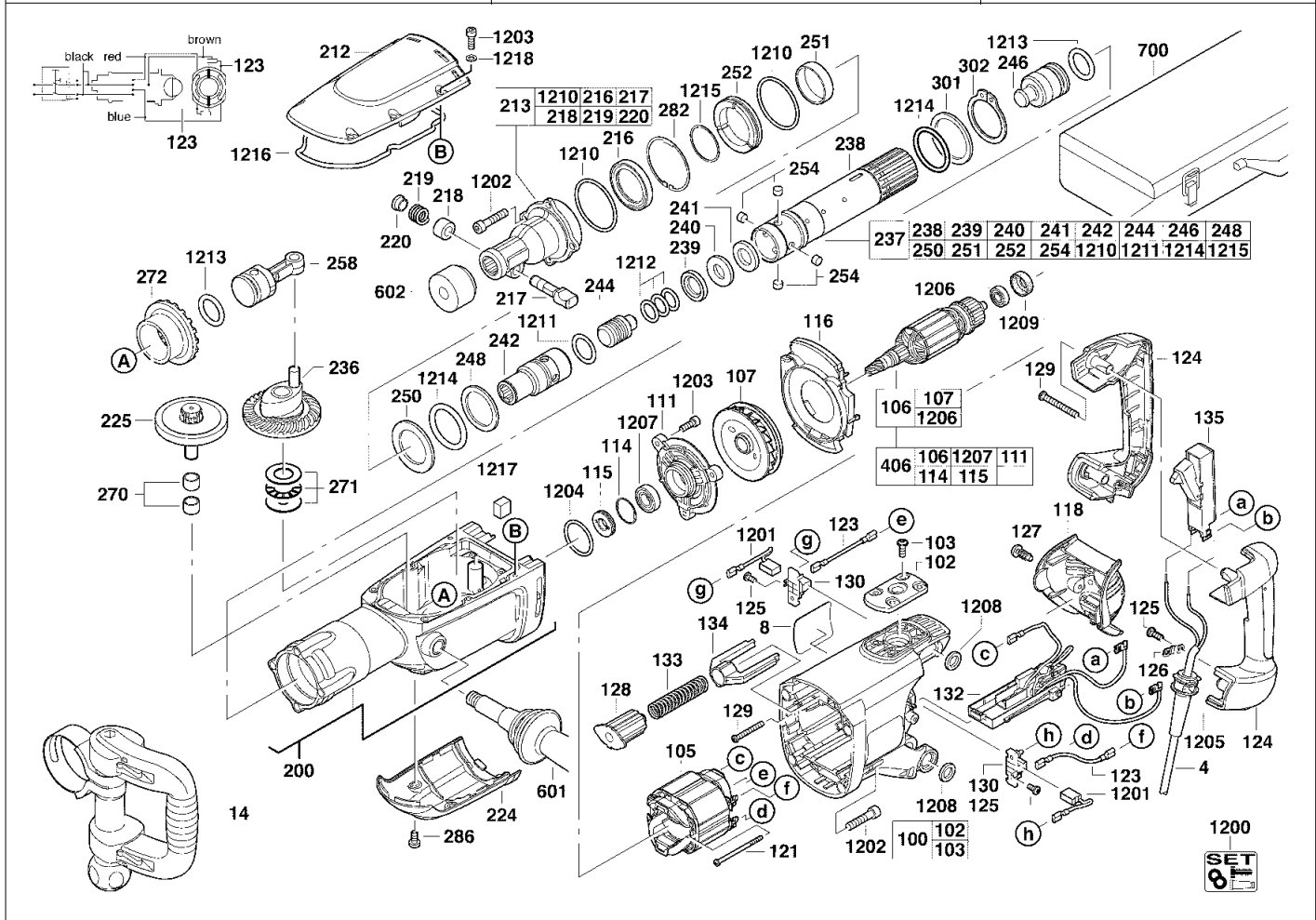
# Rotary Hammers

Ind	Product No.	Type	Voltage	Country
a	4000375808	950K	220-240V	IN2
b	4000375814	900K	220-240V	IN2
c	4000375810	950K	110V	GB1
d	4000375816	900K	110V	GB1
e	4000375818	900K	220-240V	AUS
f	4000375812	950K	220-240V	AUS

Ind	Product No.	Type	Voltage	Country
-----	-------------	------	---------	---------

**Milwaukee**  
**950 K**  
**900 K**

Exp.view No.      Version    Date      Page  
**4926 3758 24    0002    23.09.04    3/3**



Pos	Index	Quanti	Article No.	Designation
1210	abcdef.....	2	4931624156	SEAL RING
1211	abcdef.....	1	4931624161	SEAL RING
1212	abcdef.....	3	4931624155	SEAL RING
1213	abcdef.....	2	4931624158	SEAL RING
1214	abcdef.....	2	4931624157	SEAL RING
1215	abcdef.....	1	4931624153	SPRING RING
1216	abcdef.....	1	4931375506	GASKET
1217	abcdef.....	1	4931375508	FELT
1218	abcdef.....	6	4931603515	SEALING WASHER

Pos	Index	Quanti	Article No.	Designation
-----	-------	--------	-------------	-------------