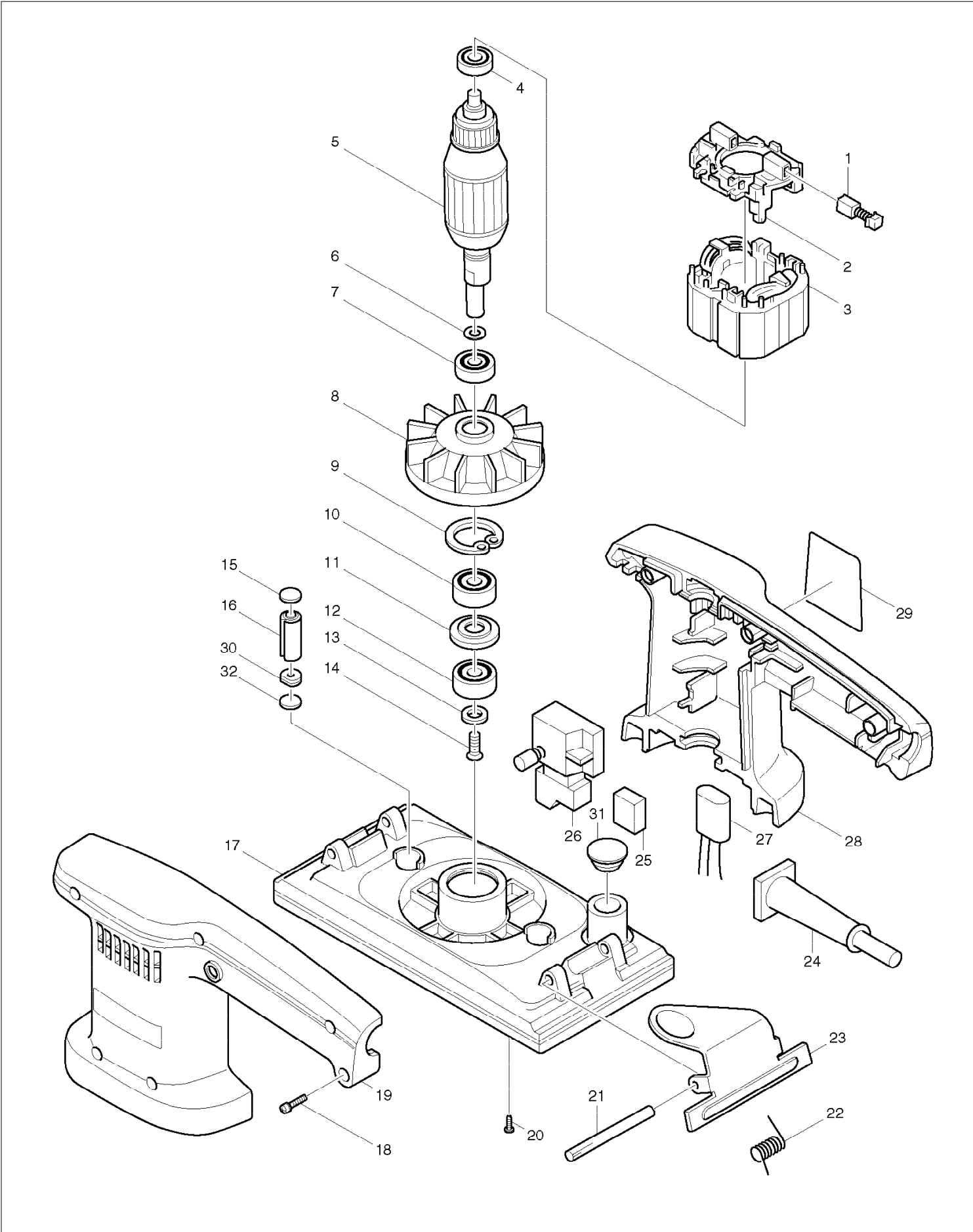


SERVICE DRAWING

MODEL NO. 9036



SPARE PARTS LIST

MODEL NO. 9036

ITEM	PART NO.	DESCRIPTION	QTY	NOTE
001	191914-5	CARBON BRUSH CB-70	1	
002	632107-0	TERMINAL BASE COMPLETE 55A	1	
003	633073-4	FIELD 220V	1	
004	*****	*****	***	*****
005	511848-0	ARMATURE ASS'Y 220V	1	
		INC. 4,6,7		
006	961016-9	STOP RING E-10	1	
007	211101-1	BALL BEARING 6001LLB	1	
008	241654-6	FAN 68	1	
009	962115-0	RETAINING RING R-26	1	
010	*****	*****	***	*****
011	257154-6	RING 9	1	
012	*****	*****	***	*****
013	253825-3	FLAT WASHER 6	1	
014	251304-5	+ COUNTERSUNK HEAD SCREW M4X12	1	
015	343650-1	PLATE	2	
016	*****	*****	***	*****
017	*****	*****	***	*****
018	911158-9	PAN HEAD SCREW M4X30	6	
019	182232-2	HOUSING SET	1	
		INC. 28		
020	*****	*****	***	*****
021	256739-5	PIN 4-55	2	
022	231586-5	TORSION SPRING 4	2	
023	343539-3	PAPER CLAMP	2	
024	665383-1	POWER SUPPLY CORD 1.0-2-2.0	1	
025	685725-3	SPONGE SHEET	1	
026	651232-8	SWITCH SGEL206C	1	
027	645105-5	NOISE SUPPRESSOR	1	
028	182232-2	HOUSING SET	1	
		INC. 19		
029	856322-4	NAME PLATE 9036	1	
030	*****	*****	***	*****
031	286233-3	CAP 19	1	
032	343650-1	PLATE	2	
A01	*****	*****	***	*****
E02	682502-4	CORD GUARD 8-85	1	
E03	163292-3	PUNCH PLATE	1	
E04	415611-2	JOINT 20	1	
E05	213223-3	O RING 16	1	