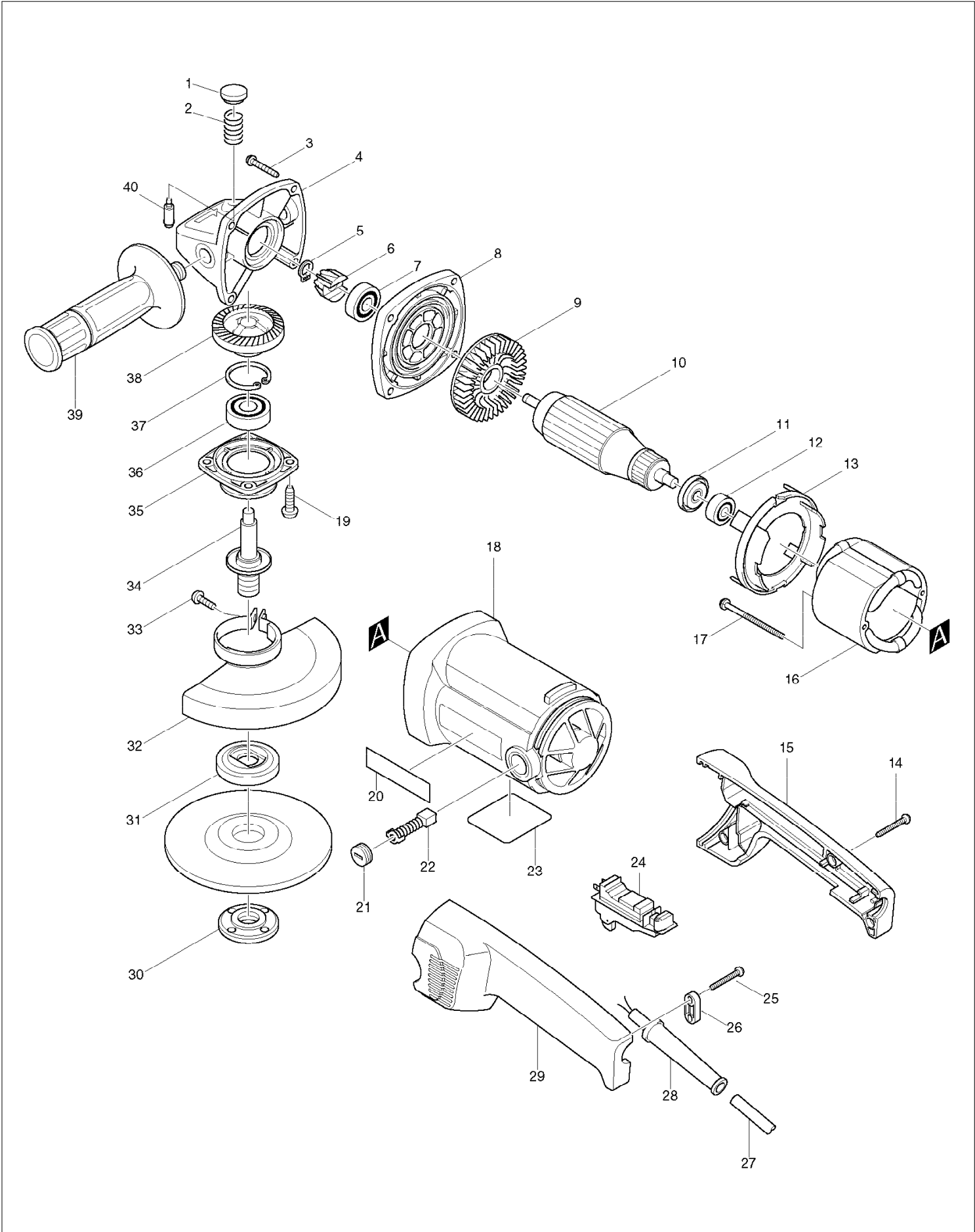


# SERVICE DRAWING

MODEL NO. 9015B



# SPARE PARTS LIST

MODEL NO. 9015B

ITEM	PART NO.	DESCRIPTION	QTY	NOTE
001	416449-8	PIN CAP	1	
002	233089-5	COMPRESSION SPRING 12	1	
003	266173-1	TAPPING SCREW 5X30	4	
004	*****	*****	***	*****
005	961003-8	RETAINING RING S-7	1	
006	*****	*****	***	*****
007	211131-2	BALL BEARING 6001DDW	1	
008	*****	*****	***	*****
009	240010-7	FAN 70	1	
010	516334-6	ARMATURE ASS'Y 230-240V	1	
		INC. 9,11,12		
011	681644-1	INSULATION WASHER	1	
012	210005-4	BALL BEARING 608DDW	1	
013	416448-0	BAFFLE PLATE	1	
014	265995-6	TAPPING SCREW 4X18	4	
015	182990-0	HANDLE SET	1	
		INC. 29		
016	522838-8	FIELD ASS'Y 220-240V	1	
017	266029-8	TAPPING SCREW 5X65	2	
018	*****	*****	***	*****
019	*****	*****	***	*****
020	819001-5	MAKITA LABEL	2	
021	643750-0	BRUSH HOLDER CAP	2	
022	191963-2	CARBON BRUSH CB-303	1	
023	859284-5	NAME PLATE 9015B	1	
024	651146-1	SWITCH 1267.5102	1	
025	265995-6	TAPPING SCREW 4X18	2	
026	*****	*****	***	*****
027	665890-4	POWER SUPPLY CORD 1.0-2-4.0	1	
028	682503-2	CORD GUARD 8-90	1	
029	182990-0	HANDLE SET	1	
		INC. 15		
030	224554-5	LOCK NUT 14-45	1	
031	224298-7	INNER FLANGE 42	1	
032	*****	*****	***	*****
033	251391-4	PAN HEAD SCREW M5X16	1	
034	152572-2	SPINDLE COMPLETE	1	
035	316991-8	BEARING BOX	1	
036	*****	*****	***	*****
037	962151-6	RETAINING RING R-32	1	
038	*****	*****	***	*****
039	152492-0	GRIP 36 COMPLETE	1	
040	256446-0	PIN 6	1	
041	262086-4	RUBBER RING 29	1	
042	442126-6	GASKET	1	
A01	782407-9	LOCK NUT WRENCH 35	1	
A02	A-83674	DEPRESSED CENTER WHEEL 125MM	1	EPD-009/90
E01	*****	*****	***	*****