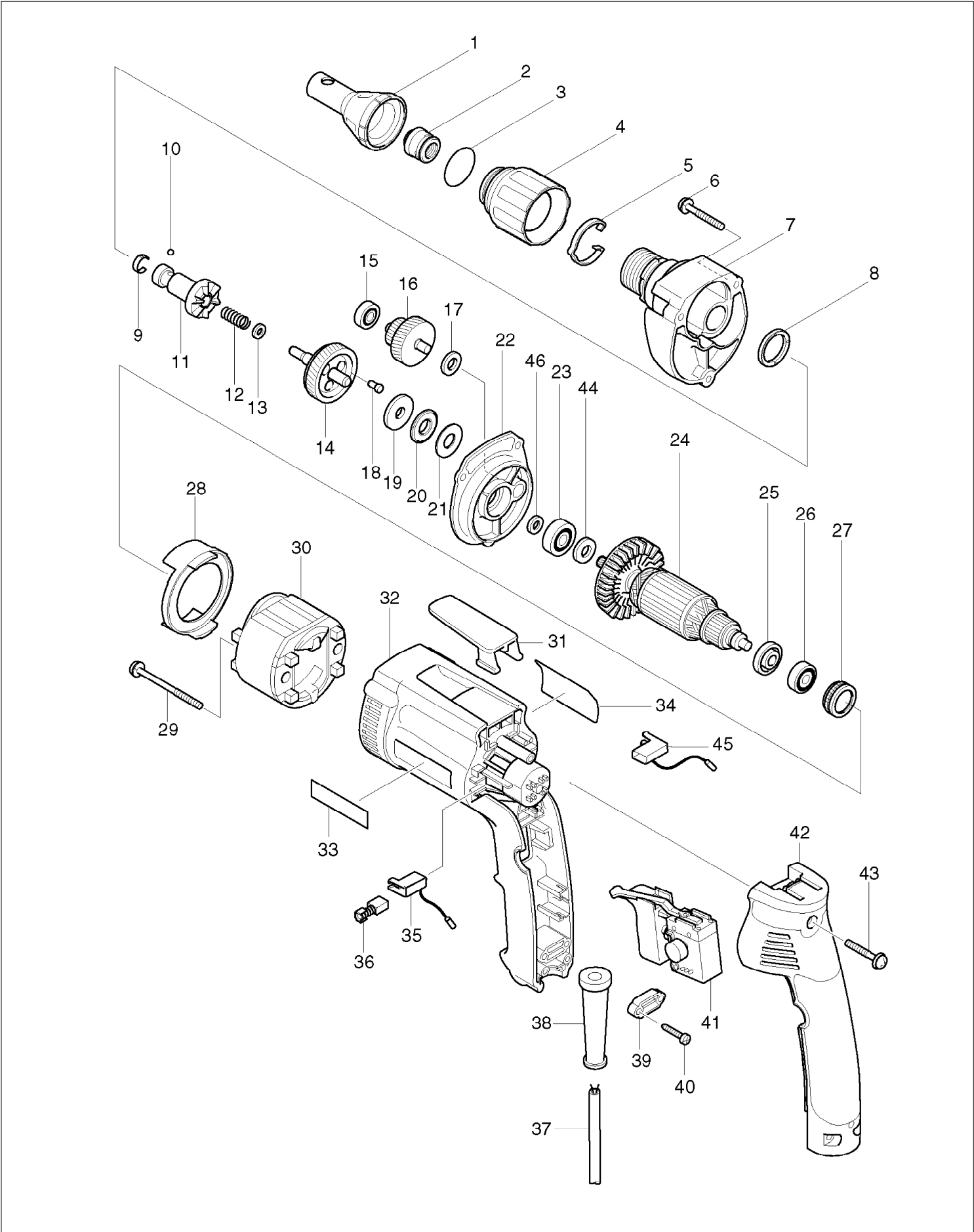


# SERVICE DRAWING

MODEL NO. 6823



# SPARE PARTS LIST

MODEL NO. 6823

ITEM	PART NO.	DESCRIPTION	QTY	NOTE
001	151760-8	LOCATOR COMPLETE	1	
002	421631-6	DUST SEAL RING	1	
003	213373-4	O RING 22	1	
004	416994-3	LOCK RING	1	
005	*****	*****	***	*****
006	266050-7	TAPPING SCREW 4X30	3	
007	*****	*****	***	*****
008	*****	*****	***	*****
009	232050-9	LEAF SPRING	1	
010	216001-0	STEEL BALL 3.5	1	
011	151788-6	SPINDLE COMPLETE	1	
012	233257-0	COMPRESSION SPRING 8	1	
013	267202-3	FLAT WASHER 8	2	
014	151789-4	GEAR COMPLETE	1	
015	211014-6	BALL BEARING 606	1	
016	226133-5	GEAR COMPLETE 17-35	1	
017	267017-8	FLAT WASHER 8	1	
018	*****	*****	***	*****
019	216213-5	WASHER 824	1	
020	216415-3	THRUST NEEDLE GAUGE 821	1	
021	216212-7	WASHER 821	1	
022	*****	*****	***	*****
023	210007-0	BALL BEARING 608VV	1	
024	517323-4	ARMATURE ASS'Y 220V INC. 23,25,26,44	1	
025	681636-0	INSULATION WASHER	1	
026	211021-9	BALL BEARING 607LLB	1	
027	421479-6	RUBBER RING 19	1	
028	416993-5	BAFFLE PLATE	1	
029	266147-2	TAPPING SCREW 4X55	2	
030	633443-7	FIELD 220-240V	1	
031	*****	*****	***	*****
032	183285-4	MOTOR HOUSING INC. 33	1	
033	819063-3	MAKITA LABEL	1	
034	*****	*****	***	*****
035	643960-9	BRUSH HOLDER	1	
036	191962-4	CARBON BRUSH CB-419	1	
037	695034-2	POWER SUPPLY CORD 1.0-2-4.0	1	
038	682559-5	CORD GUARD 8	1	
039	687052-4	STRAIN RELIEF	1	
040	265995-6	TAPPING SCREW 4X18	2	
041	*****	*****	***	*****
042	151961-8	HANDLE COVER COMPLETE	1	
043	265999-8	TAPPING SCREW 4X25	3	
044	253139-0	FLAT WASHER 8	1	
045	643961-7	BRUSH HOLDER	1	
046	262087-2	RING 8	1	
A01	824449-8	PLASTIC CARRYING CASE	1	
A02	784211-2	PHILLIPS INSERT BIT 2-25	1	
A03	784807-9	MAGNETIC CONNECT BIT 6.35-60	1	
E02	645253-0	NOISE SUPPRESSOR	1	
E04	645200-1	NOISE SUPPRESSOR	1	