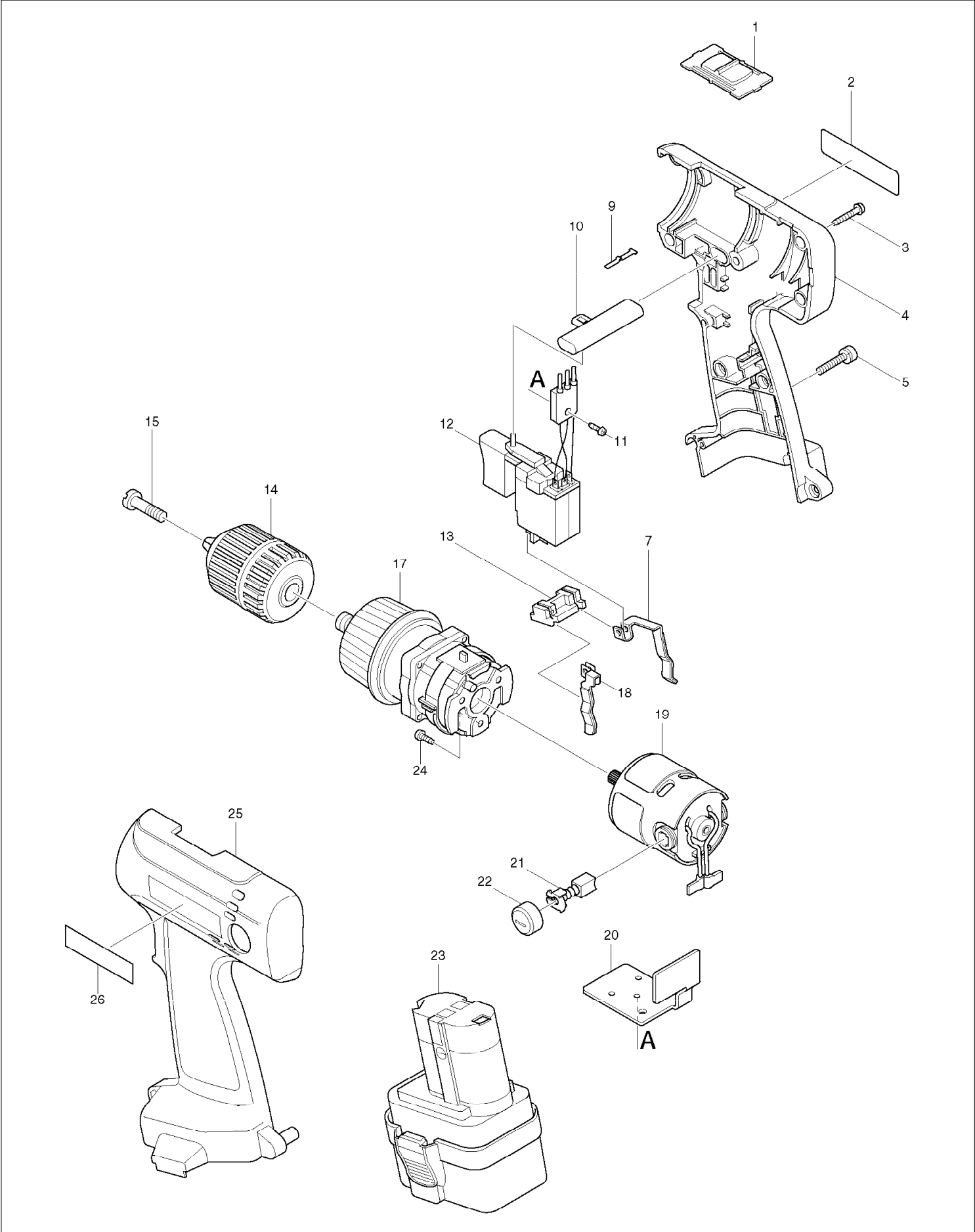


# SERVICE DRAWING

MODEL NO. 6204D



# SPARE PARTS LIST

MODEL NO. 6204D

| ITEM | PART NO. | DESCRIPTION                | QTY | NOTE  |
|------|----------|----------------------------|-----|-------|
| 001  | 125091-1 | SPEED CHANGE LEVER ASS'Y   | 1   |       |
| 002  | 859534-8 | NAME PLATE 6204D           | 1   |       |
| 003  | 266130-9 | TAPPING SCREW BIND PT 3X16 | 8   |       |
| 004  | *****    | *****                      | *** | ***** |
| 005  | 911143-2 | PAN HEAD SCREW M4X22       | 1   |       |
| 007  | *****    | *****                      | *** | ***** |
| 009  | 232182-2 | LEAF SPRING                | 1   |       |
| 010  | 416079-5 | F/R CHANGE LEVER           | 1   |       |
| 011  | 911006-2 | PAN HEAD SCREW M3X8        | 1   |       |
| 012  | *****    | *****                      | *** | ***** |
| 013  | 687085-9 | HOLDER                     | 1   |       |
| 014  | 763132-1 | KEYLESS DRILL CHUCK 10     | 1   |       |
| 015  | 251451-2 | - PAN HEAD SCREW M5X22     | 1   |       |
| 017  | 125086-4 | GEAR ASS'Y                 | 1   |       |
| 018  | *****    | *****                      | *** | ***** |
| 019  | 629723-7 | DC MOTOR<br>INC. 21,22     | 1   |       |
| 020  | 689077-4 | RADIATING PLATE            | 1   |       |
| 021  | 191966-6 | CARBON BRUSH CB-424        | 1   |       |
| 022  | 643933-2 | BRUSH HOLDER CAP           | 2   |       |
| 023  | *****    | *****                      | *** | ***** |
| 024  | 266166-8 | TAPPING SCREW CT 3X8       | 3   |       |
| 025  | *****    | *****                      | *** | ***** |
| 026  | 819063-3 | MAKITA LABEL               | 1   |       |
| A01  | 343579-1 | SET PLATE                  | 1   |       |
| A02  | 414938-7 | BATTERY COVER              | 1   |       |
| A03  | *****    | *****                      | *** | ***** |
| A04  | *****    | *****                      | *** | ***** |