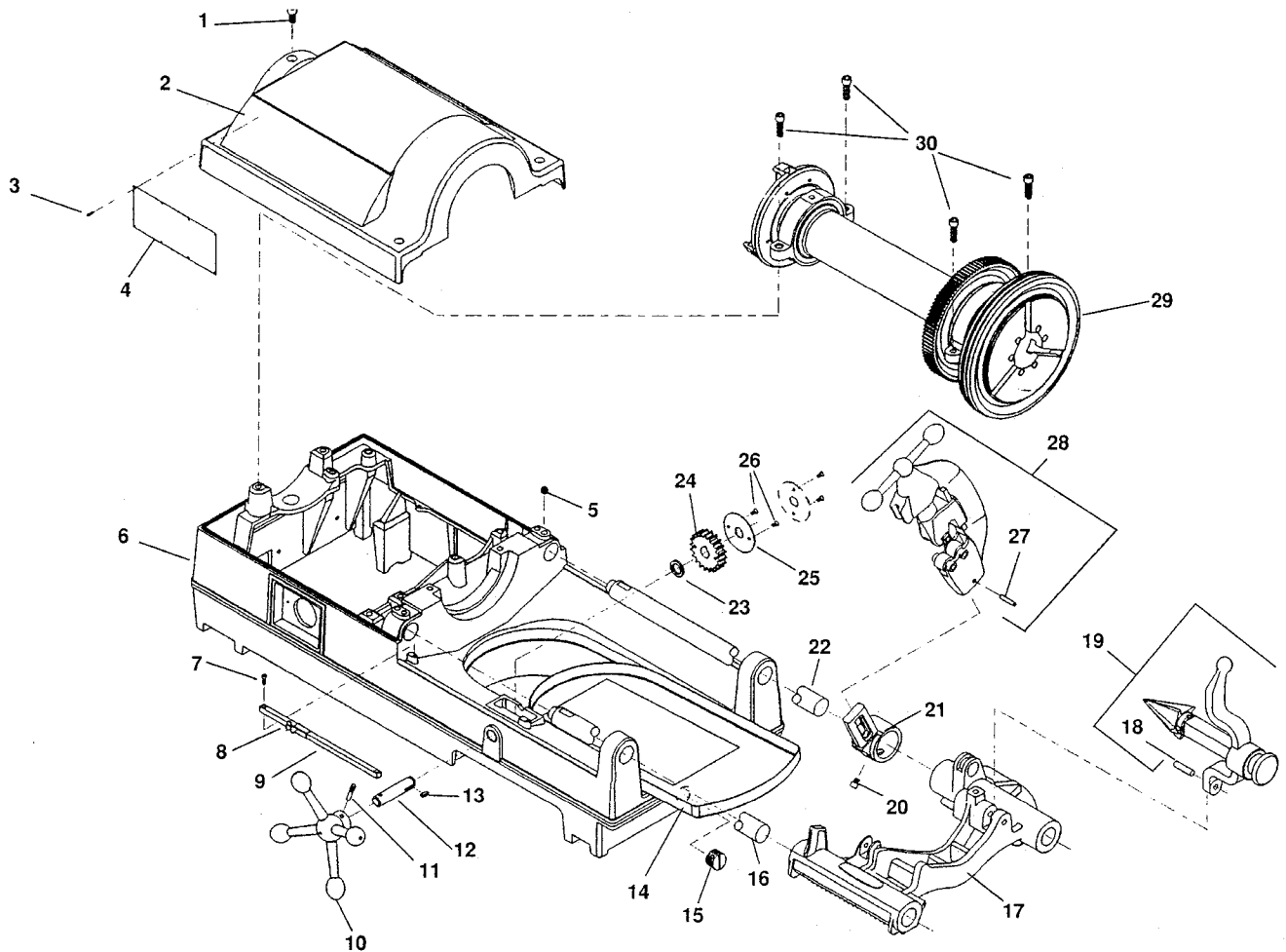


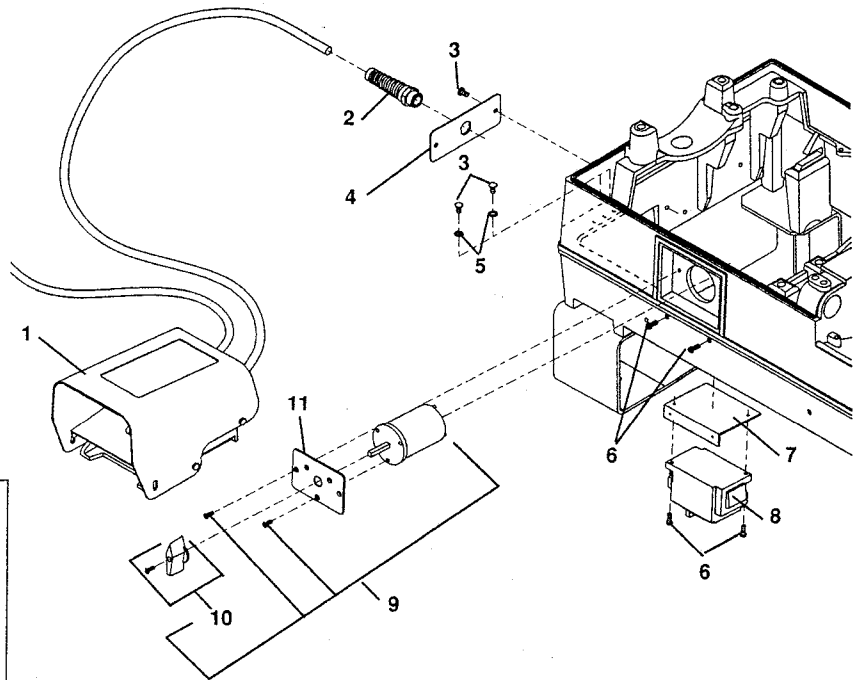
Main Components



**NOTE: Order parts by Catalog Number only.
DO NOT order by Reference Number.**

Ref. No.	Catalog No.	Description	Ref. No.	Catalog No.	Description
1	46760	Screw (3)	16	45440	Front Support Bar
2	62062	Top Cover	17	62057	Carriage Assembly
3	85920	Pop Rivet (8)	18	47065	Hinge Pin
4	88690	Warning Plate	19	42365	341 Reamer Assembly
5	46800	Set Screw (2)	20	44930	Stop Screw
6	61952	Base	21	43690	Cutter Arm
7	45615	Screw (2)	22	45220	Rear Support Bar
8	47110	Indicator Slide	23	47145	Spacer
9	47105	Indicator Bar	24	45430	Pinion Gear
10	46510	Handwheel	25	47120	Lock Plate
11	47165	Pin	26	46785	Screw 10 - 32 x 3/8" (2)
12	47115	Pinion Shaft	27	47135	Pinion Pin
13	46930	Key 3/16" Sq. x 1/2"	28	42390	820 Cutter Assembly
14	43355	Chip Tray	29	47585	Drive Shaft Assembly
15	48337	Drain Plug	30	46745	Screw

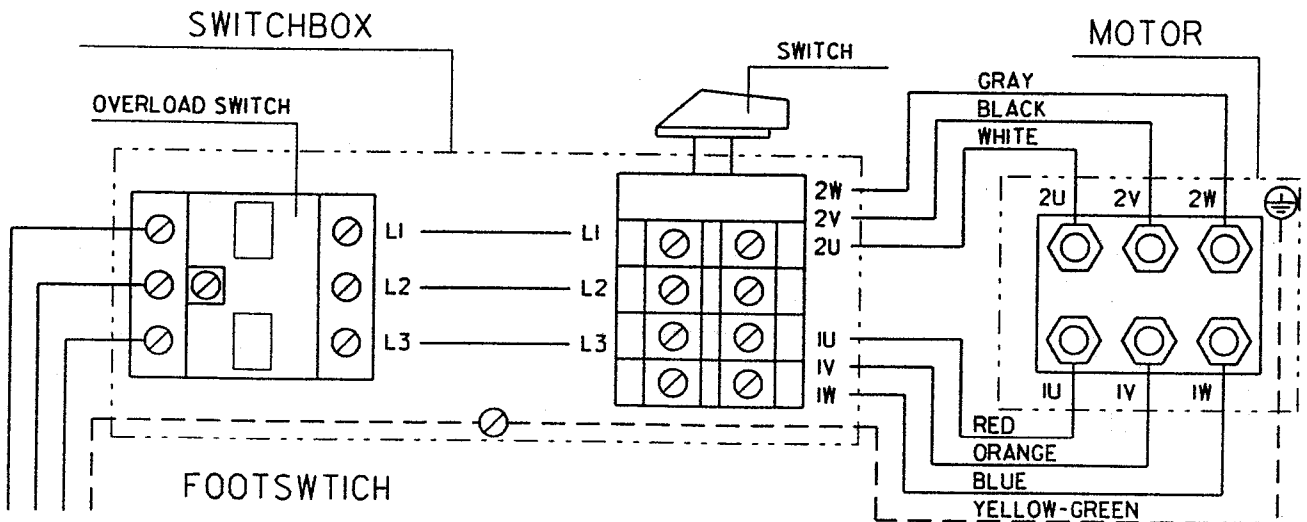
Electrical Components



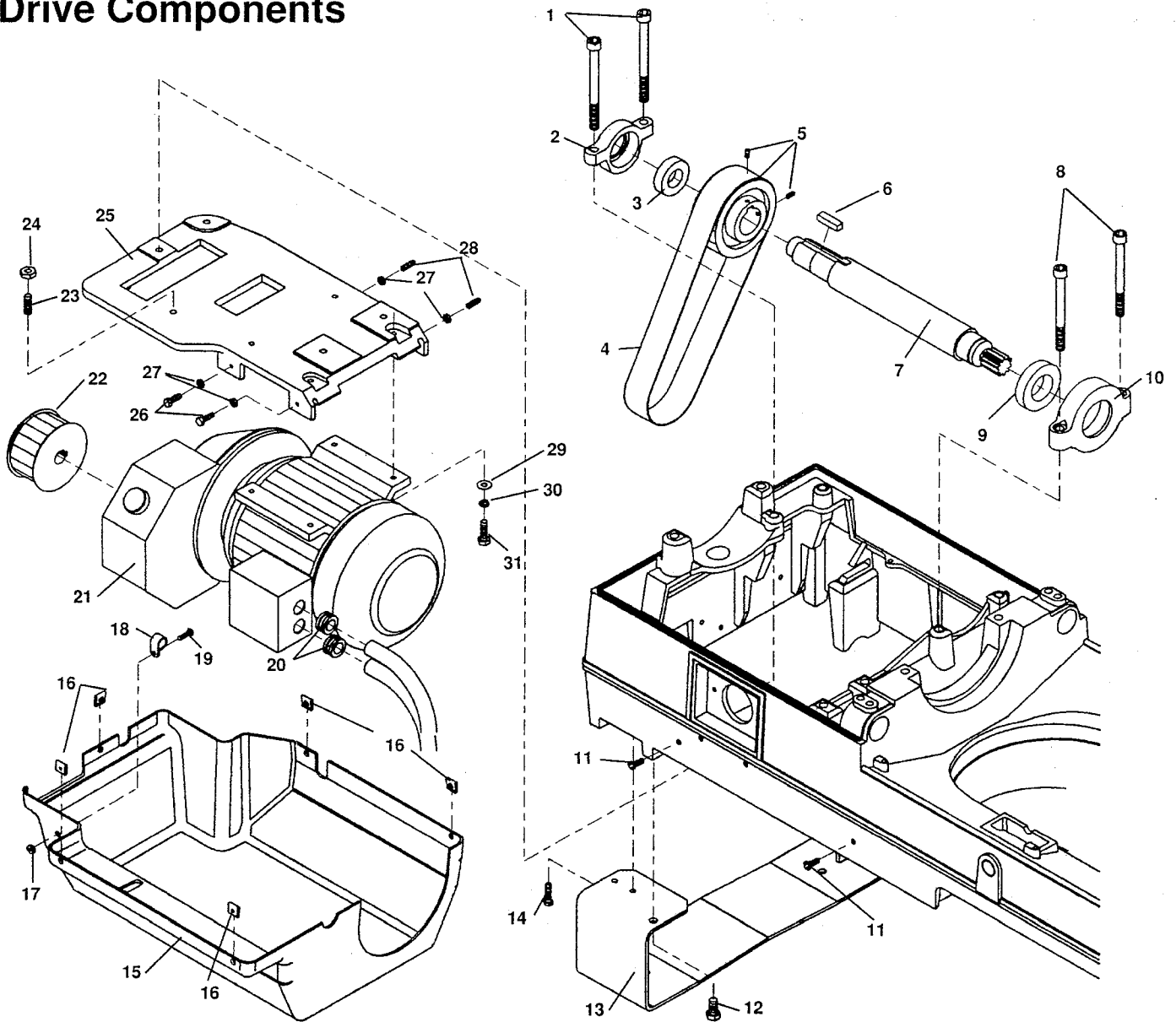
NOTE: Order parts by Catalog Number only.
DO NOT order by Reference Number.

Ref. No.	Catalog No.	Description
1	30306	Foot Switch Assembly
2	54177	Strain Relief
3	45420	Screw 10 - 24 x 3/8"
4	66717	Retainer Plate
5	46985	Ext. Tooth Lock Washer
6	16906	Screw
7	66712	Mounting Plate
8	17936	Relay
9	17416	Switch Assy w/Knob
10	59702	Switch Knob
11	66702	Switch Plate

Wiring Diagram



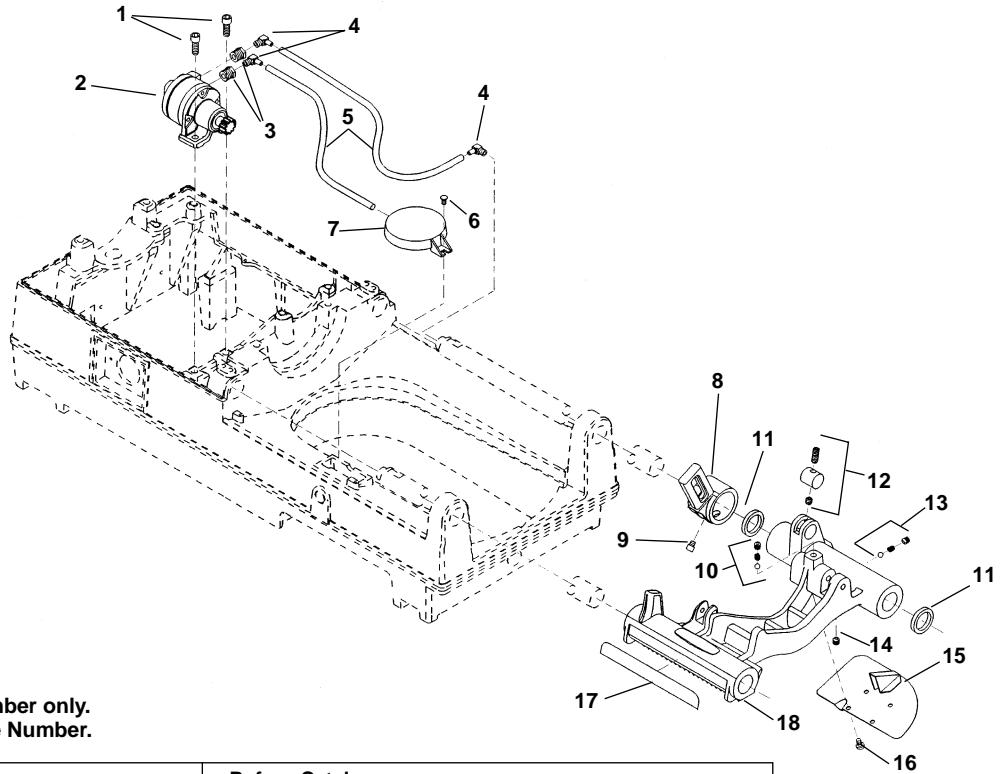
Drive Components



**NOTE: Order parts by Catalog Number only.
DO NOT order by Reference Number.**

Ref. No.	Catalog No.	Description	Ref. No.	Catalog No.	Description
1	18286	Bolt	17	18196	Hex Nut 10-24
2	17496	Bearing Mount	18	61912	Cord Clamp
3	17526	Bearing	19	92455	Screw 10-24 x 3/4"
4	18036	Drive Belt	20	47080	Cord Grommet
5	18016	Pulley	21	18086	Motor/Gearbox Assy
6	18006	Key	22	18026	Pulley
7	17996	Shaft	23	18186	Screw
8	18066	Screw	24	18196	Nut
9	17526	Bearing	25	18136	Motor Table
10	17506	Bearing Mount	26	18056	Stop Screw 6mm (2)
11	92455	Screw 10 -24 x 3/4"	27	18176	Nut 6mm (4)
12	66722	Screw	28	66727	Set Screw M6x1-20mm (2)
13	66707	Base Support (2)	29	18216	Flat Washer
14	85915	Screw	30	18226	LockWasher
15	66697	Bottom Cover W/Clips	31	18206	Screw
16	65857	Retaining Clip (5)			

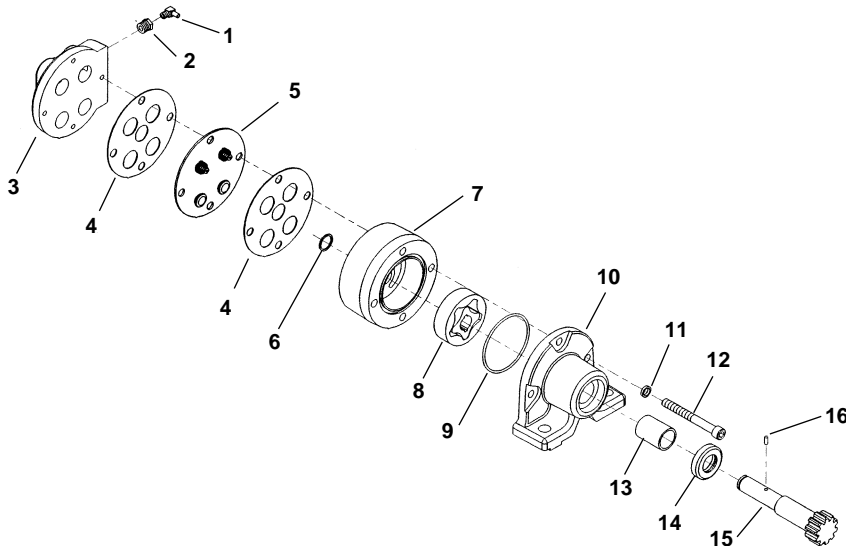
Carriage and Oiling System



**NOTE: Order parts by Catalog Number only.
DO NOT order by Reference Number.**

Ref. No.	Catalog No.	Description	Ref. No.	Catalog No.	Description
1	46750	Screw (2)	10	46810	Detente Assembly
2	18296	Model MJ Oil Pump LS	11	46720	Oil Seal (2)
3	62047	Reducing Bushing (2)	12	61957	Plug Assembly
4	87945	Right Angle Fitting (3)	13	35307	Pressure Relief Assembly
5	87950	Oil Line (2)	14	46815	Pipe Plug 1/8" NPT
6	45420	Screw	15	45195	Drip Plate
7	58467	Oil Filter Assembly	16	46270	Screw (4)
8	43690	Cutter Arm	17	46370	Scale
9	44930	Stop Screw	18	62057	Carriage Assy. (Includes Ref. No. 8-17)

Model MJ Oil Pump



Ref. No.	Catalog No.	Description
—	18296	Model MJ Oil Pump LS
1	87945	Right Angle Fitting (2)
2	62047	Reducing Bushing (2)
3	33442	Valve Body
4	33457	Gasket (2)
5	33452	Valve Body Assembly
6	61997	Retaining Ring
7	62002	Gerotor Housing
8	75782	Gerotor Set LS
9	33477	O-Ring
10	62012	Pump Body
11	45150	Lock Washer (3)
12	62017	Screw (3)
13	61972	Bushing
14	33472	Oil Seat
15	61982	Pump Shaft
16	26907	Drive Pin
17	61977	Pump Repair Kit (Includes Ref. No. 4-6, 9, 13, 14, and 16)