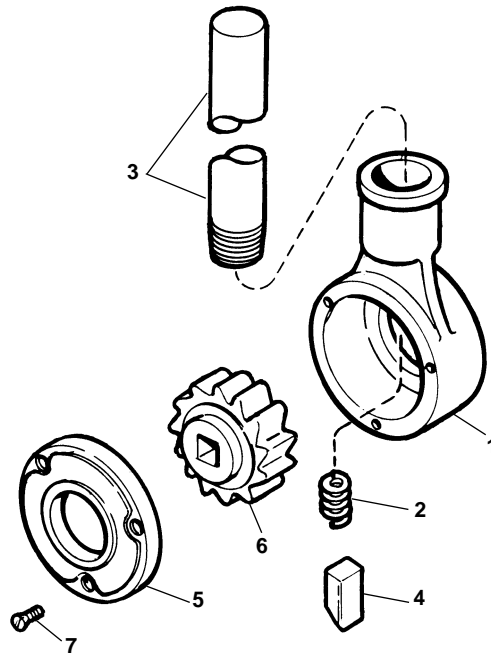


Ratchet and Handle

No. D-1440

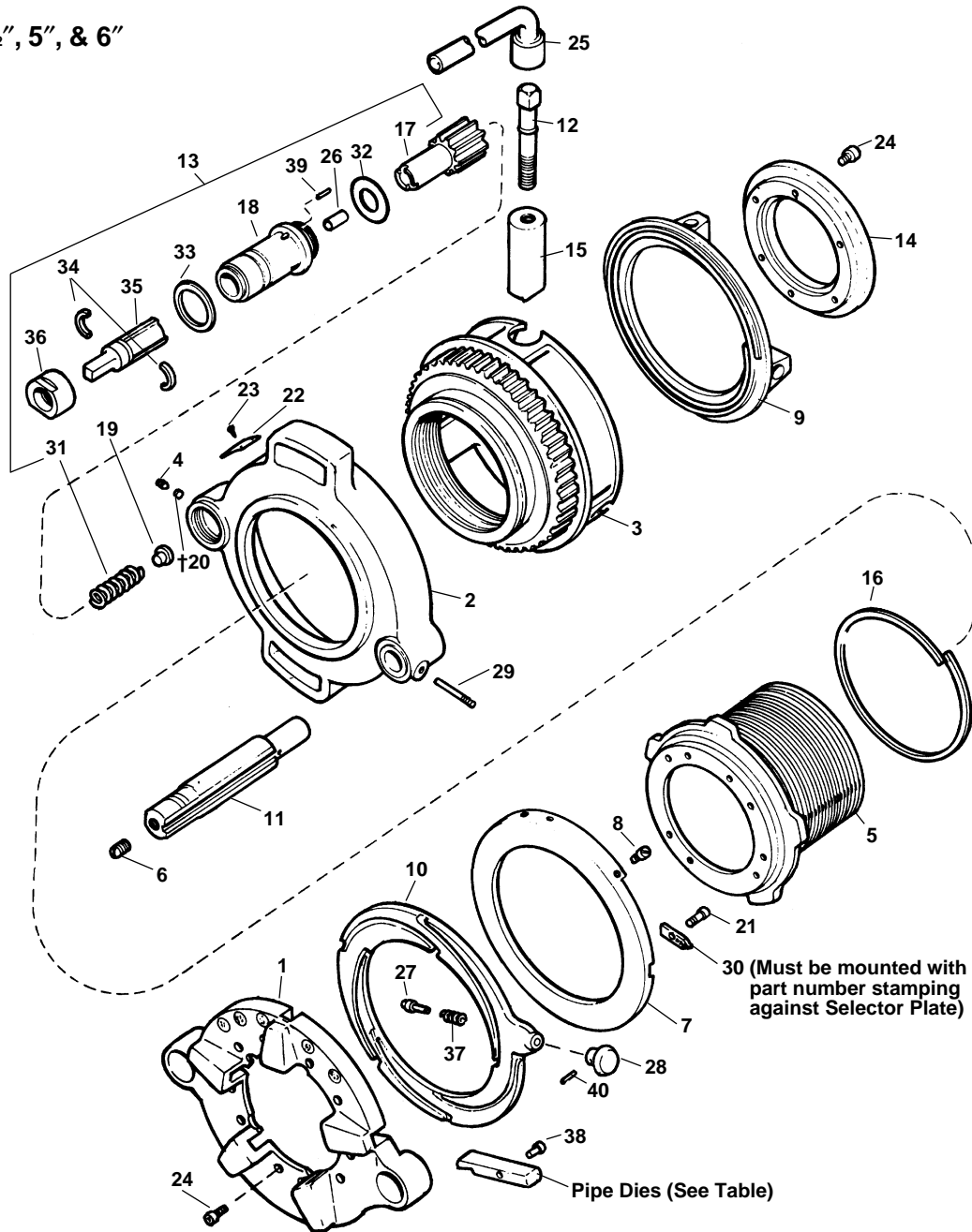
Note: Used with Nos. 4PJ, 141 and 161 Threaders. Also fits Toledo-Beaver, Nye & Armstrong 4" Geared Threaders & Cut-off Tools.



Ref. No.	Catalog No.	Description
1	39390	Ratchet Case
2	38695	Pawl Spring
3	39420	Handle
4	39940	Pawl
5	39800	Ratchet Cover
6	39805	Ratchet Wheel
7	39570	Cover Screw (3)

RIDGID No. 161 Pipe & Conduit Geared Threader

Capacity: 4", 4 1/2", 5", & 6"



**NOTE: Order parts by Catalog Number only.
DO NOT order by Reference Number.**

Ref. No.	Catalog No.	Description	Ref. No.	Catalog No.	Description	Ref. No.	Catalog No.	Description
1	39085	Head	12	39795	Clamp Screw with Clip	29056	29056	Wrench (Europe - Hex Key)
2	39090	Gear Case	13	39325	Pinion Shaft Assembly	26	39630	Center Pin
3	39095	Workholder (NPT)	14	39350	Retaining Plate	27	39640	Locating Pin (2)
	67990	Workholder (BSPT)	15	39355	Workholder Jaw (3 per set)	28	39645	Knob (2)
4	58720	Set Screw	16	39430	Gear Case Spring Ring	29	39650	Screw
5	39160	Threaded Barrel (NPT)	17	39365	Pinion Shaft with Gear	30	39655	Guide Block
	68010	Threaded Barrel (BSPT)	18	39435	Pinion Sleeve	31	39660	Spring
6	39780	Set Screw	19	39810	Wear Plug	32	39665	Pinion Shaft Ring
7	39165	Selector Plate (NPT)	†20	32755	Nylon Plug	33	39670	Pressure Ring
	68015	Selector Plate (BSPT)	21	39830	Guide Block Screw	34	39675	Split Ring
	39115	Selector Plate (Cast Iron)	22	39840	Name Plate	35	39680	Drive Shaft
8	39790	Stop Screw	23	46870	Drive Screw (4)	36	39685	Retaining Collar
9	39105	Workholder Scroll	24	32270	Screw (16)	37	39690	Spring (2)
10	39310	Cam Plate	25	39585	Wrench	38	39700	Die Pin and Clip (Set of 5)
11	39315	Guide Post (NPT)				39	39705	Pressure Pin (3)
	68080	Guide Post (BSPT)				40	44925	Pin (2)

† Service Note: Nylon Plug (Ref. No. 21) should be replaced any time pinion shaft assembly (Ref. No. 13) is removed from gear case