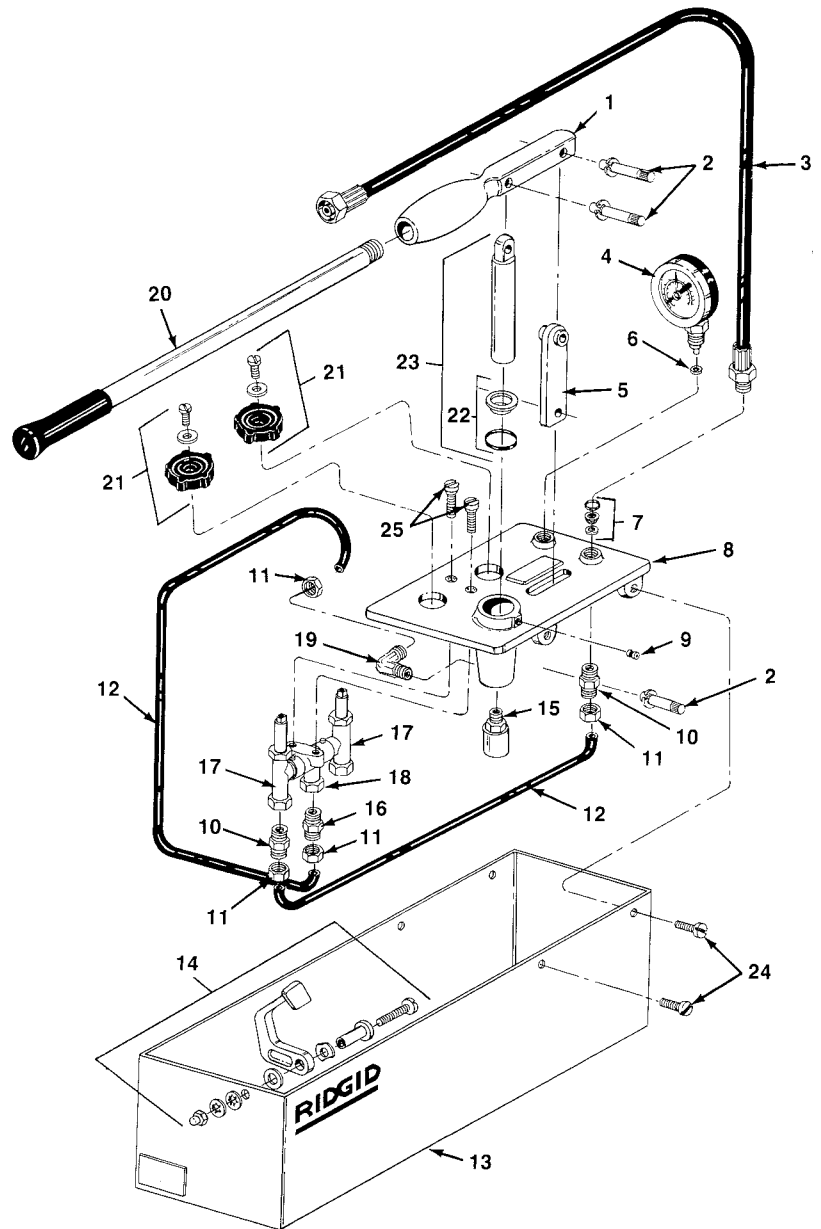


RIDGID No. 1425 Pressure Test Pump



Ref. No.	Description	Catalog No.
1	Lever Arm	19726
2	Pin w/Clip (3)	19806
3	Pressure Hose (BSPT)	19736
	Pressure Hose (NPT)	34176
4	Pressure Gauge 750 PSI (BSPT)	19706
	Pressure Gauge 375 PSI (BSPT)	19696
	Pressure Gauge 750 PSI (NPT)	34196
	Pressure Gauge 375 PSI (NPT)	34186
5	Link Arm	19716
6	Joint Ring	27856
7	"O" Ring Filter Assy.	31356
8	Pump Body (BSPT)	19746
	Pump Body (NPT)	34166
9	E-912 Grease Fitting	46860
10	Connector (2)	19756
11	Nut w/Ferrule (4)	24266
12	Plastic Pipe (2)	19866
13	Container	19766
14	Hook Assembly	19826
15	Filter Assembly	19846
16	Non-Return Valve	19856
17	Valve Assembly (2)	19796
18	Valve Connector	19776
19	Elbow Connector	29996
20	Handle Assembly	29916
21	Knob Assembly (2)	19786
22	Seal Assembly	19816
23	Piston Assembly	19836
24	Screw (2)	35046
25	Screw (2)	35056