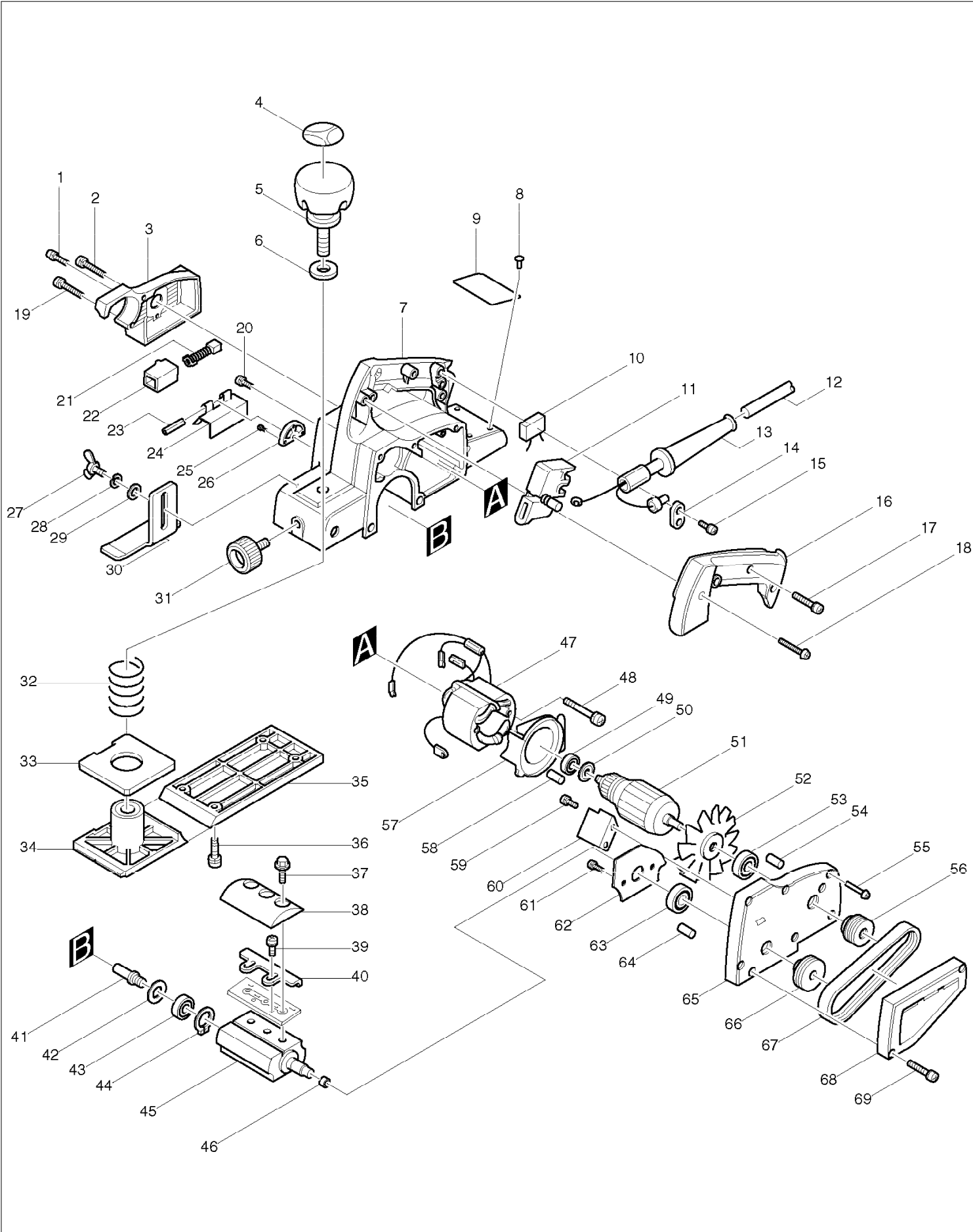


# SERVICE DRAWING

MODEL NO. 1125



# SPARE PARTS LIST

MODEL NO. 1125

ITEM	PART NO.	DESCRIPTION	QTY	NOTE
001	911133-5	PAN HEAD SCREW M4X18	2	
002	911158-9	PAN HEAD SCREW M4X30	1	
003	411185-1	MOTOR REAR COVER	1	
004	812004-8	SCALE LABEL	1	
005	271226-3	KNOB 50	1	
006	941251-5	FLAT WASHER 10	1	
007	156312-0	MAIN FRAME INC. 58	1	
008	953106-2	RIVET 0-5	4	
009	811797-4	NAME PLATE 1125	1	
010	645209-3	NOISE SUPPRESSOR	1	
011	650210-5	SWITCH SGE215C-3	1	
012	665516-8	POWER SUPPLY CORD 1.00-2-2.5	1	
013	682504-0	CORD GUARD 10-85	1	
014	687002-9	STRAIN RELIEF	1	
015	911133-5	PAN HEAD SCREW M4X18	2	
016	411319-6	HANDLE COVER	1	
017	911153-9	PAN HEAD SCREW M4X28	2	
018	911163-6	PAN HEAD SCREW M4X35	1	
019	911158-9	PAN HEAD SCREW M4X30	1	
020	911114-9	PAN HEAD SCREW M4X10	2	
021	181410-1	CARBON BRUSH CB-106	1	
022	643601-7	BRUSH HOLDER 6-10	2	
023	951131-7	SPRING PIN 4-40	1	
024	342391-6	DRUM COVER	1	
025	911116-5	PAN HEAD SCREW M4X12	3	
026	312644-7	DRUM HOUSING	1	
027	924206-5	WING BOLT M5X10	1	
028	942101-7	SPRING WASHER 5	1	
029	941101-4	FLAT WASHER 5	1	
030	342390-8	DEPTH GUIDE	1	
031	251804-5	SCREW M6X13	1	
032	231004-3	COMPRESSION SPRING 18	1	
033	421107-3	RUBBER PACKING	1	
034	312653-6	FRONT BASE	1	
035	312642-1	BASE	1	
036	911226-8	PAN HEAD SCREW M5X18	4	
037	251609-3	HEX. FLANGE HEAD BOLT M6X17	6	
038	343457-5	DRUM PLATE (2PCS/SET)	2	
039	251246-3	+ PAN HEAD SCREW M4X5	4	
040	342430-2	ADJUST PLATE	2	
041	323487-2	DRUM REAR SHAFT	1	
042	253171-4	FLAT WASHER 10	1	
043	211061-7	BALL BEARING 6000LLB	1	
044	961006-2	RETAINING RING S-10	1	
045	161036-5	DRUM	1	
046	257013-4	RING 12	1	
047	522245-5	FIELD ASS'Y 220V	1	
048	911280-2	PAN HEAD SCREW M5X55	2	
049	211031-6	BALL BEARING 608LLB	1	
050	681613-2	INSULATION WASHER	1	
051	512315-8	ARMATURE ASS'Y 220V INC. 49,50,52,53	1	
052	241044-3	FAN 68	1	
053	211066-7	BALL BEARING 6200LLB	1	
054	263002-9	RUBBER PIN 4	1	
055	911151-3	PAN HEAD SCREW M4X28	6	
056	222050-7	V-PULLEY 4-24L	1	
057	411208-5	BAFFLE PLATE	1	
058	263002-9	RUBBER PIN 4	1	
059	911101-8	PAN HEAD SCREW M4X6	2	

# SPARE PARTS LIST

MODEL NO. 1125

ITEM	PART NO.	DESCRIPTION	QTY	NOTE
060	342389-3	BAFFLE PLATE	1	
061	911111-5	PAN HEAD SCREW M4X10	2	
062	341265-8	CHIP DEFLECTOR	1	
063	211106-1	BALL BEARING 6201LLB	1	
064	263005-3	RUBBER PIN 6	1	
065	152192-2	BRACKET COMPLETE INC. 64	1	
066	222051-5	V-PULLEY 4-44	1	
067	225069-5	POLY V-BELT 4-272	1	
068	411186-9	BELT COVER	1	
069	911153-9	PAN HEAD SCREW M4X28	2	
400	924216-2	WING BOLT M5X15	2	
401	942101-7	SPRING WASHER 5	2	
402	941101-4	FLAT WASHER 5	2	
403	342392-4	BEVEL GUIDE	1	
404	161037-3	GUIDE RULE	1	
405	411086-3	GAUGE PLATE	1	
406	911228-4	PAN HEAD SCREW M5X18	2	
407	123062-2	BLADE GAUGE ASS'Y INC. 405,406	1	
409	782209-3	SOCKET WRENCH 9	1	
410	793004-6	PLANER BLADE 82	1	
411	934301-3	WING NUT M6	2	
413	123004-6	SHARPENING HOLDER ASS'Y INC. 411,414	1	
414	251920-3	CAP SQUARE NECK BOLT M6X30	2	